

ME 22,5 UT BUS/ 5 GN

Order No.: 2713418

<http://eshop.phoenixcontact.de/phoenix/treeViewClick.do?UID=2713418>Housing base, 5-position integrated cross connector for parallel
through contacting**Commercial data**

GTIN (EAN)	4017918910501
Note	Made-to-order
sales group	F051
Pack	10 pcs.
Customs tariff	85369010
Weight/Piece	0.0519 KG

Product notesWEEE/RoHS-compliant since:
04/29/2005

<http://www.download.phoenixcontact.com>
Please note that the data given here has been taken from the online catalog. For comprehensive information and data, please refer to the user documentation. The General Terms and Conditions of Use apply to Internet downloads.

Technical data**General**

Housing type	Component housing
Housing material	Polyamide
Color	green

Dimensions / positions

Length	99 mm
Width	22.5 mm
Number of positions	5

Technical data

Ambient temperature (operation)	-40 °C ... 105 °C
Connection in acc. with standard	CUL
Nominal voltage U _N	300 V
Nominal current I _N	8 A
Indicator1	CUL1
Inflammability class acc. to UL 94	V0

Certificates / Approvals



Certification CUL, UL

CUL

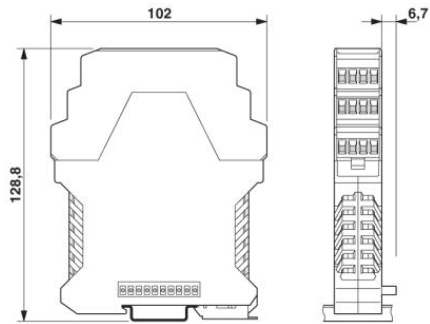
Nominal voltage U _N	300 V
Nominal current I _N	8 A

UL

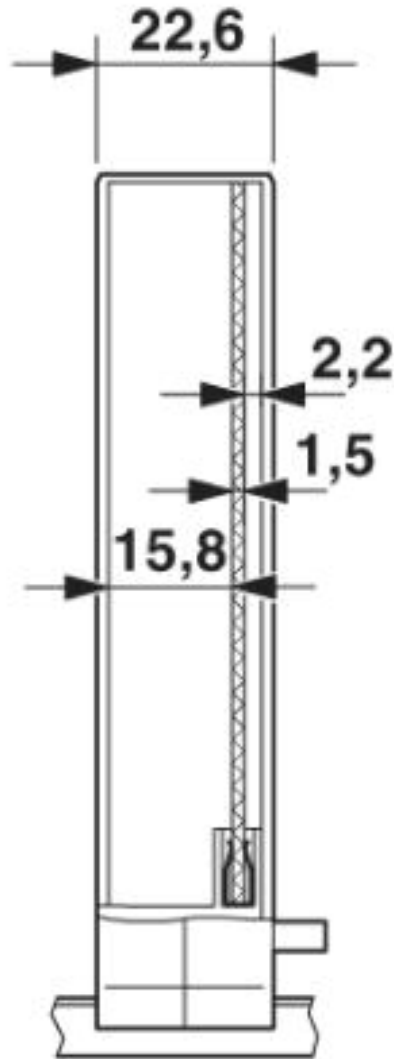
Nominal voltage U _N	300 V
Nominal current I _N	8 A

Additional products

Item	Designation	Description
Assembly		
2907172	ME 22,5 OT-MKDSO GN	Housing upper part, for printed circuit terminal block connection
2907473	ME 22,5 OT-MKDSO SET	Housing upper part, complete with PCB termination blocks for full equipping. 16-pos., housing width: 22.5 mm
2907169	ME 22,5 OT-MSTBO GN	Upper part of housing, for COMBICON connection, double-level
2907444	ME 22,5 OT-MSTBO SET	Housing upper part, complete with 4 pairs of COMBICON headers and plugs



Dimensions of the electronics housing
ME.../BUS 5 and ME.../BUS 10 with triple-
level upper part



Internal housing dimensions, electronics
housing ME 22.5 BUS...

Address

PHOENIX CONTACT Inc., USA
586 Fulling Mill Road
Middletown, PA 17057, USA
Phone (800) 888-7388
Fax (717) 944-1625
<http://www.phoenixcon.com>



© 2010 Phoenix Contact
Technical modifications reserved;