

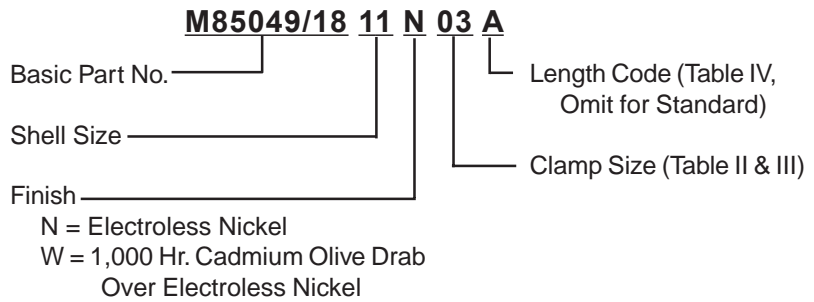
# AS85049/18 EMI/RFI Environmental Backshell



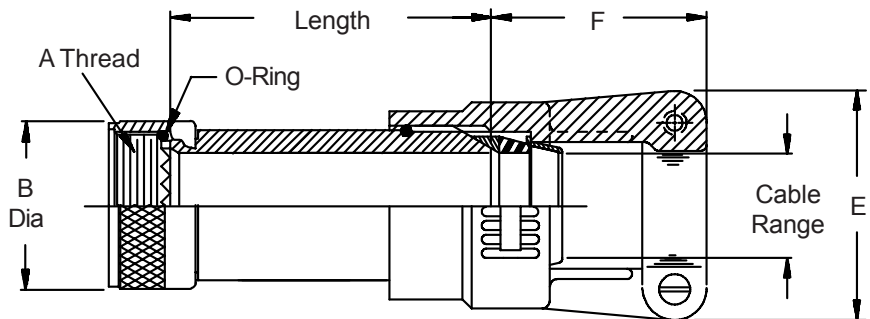
EMI/RFI  
Environmental  
Backshells

Glenair Connector  
Designator H

MIL-DTL-38999  
Series III & IV,  
EN3645



Shell Size	A Thread Class 2B	B Dia Max
9	M12 X 1 - 6H	.75 (19.1)
11	M15 X 1 - 6H	.85 (21.6)
13	M18 X 1 - 6H	1.00 (25.4)
15	M22 X 1 - 6H	1.15 (29.2)
17	M25 X 1 - 6H	1.25 (31.8)
19	M28 X 1 - 6H	1.40 (35.6)
21	M31 X 1 - 6H	1.55 (39.4)
23	M34 X 1 - 6H	1.65 (41.9)
25	M37 X 1 - 6H	1.85 (47.0)



Shell Size	Clamp Size (Table III)	
	Min	Max
9	01	02
11	01	03
13	02	04
15	02	05
17	02	06
19	03	07
21	03	08
23	03	09
25	04	10

Clamp Size	Cable Range		E Max	F Max
	Min	Max		
01	.062 (1.6)	.125 (3.2)	.781 (19.8)	1.250 (31.8)
02	.125 (3.2)	.250 (6.4)	.969 (24.6)	1.250 (31.8)
03	.250 (6.4)	.375 (9.5)	1.062 (27.0)	1.250 (31.8)
04	.375 (9.5)	.500 (12.7)	1.156 (29.4)	1.250 (31.8)
05	.500 (12.7)	.625 (15.9)	1.250 (31.8)	1.312 (33.3)
06	.625 (15.9)	.750 (19.1)	1.375 (34.9)	1.375 (34.9)
07	.750 (19.1)	.875 (22.2)	1.500 (38.1)	1.500 (38.1)
08	.875 (22.2)	1.000 (25.4)	1.625 (41.3)	1.625 (41.3)
09	1.000 (25.4)	1.125 (28.6)	1.750 (44.5)	1.625 (41.3)
10	1.125 (28.6)	1.250 (31.8)	1.875 (47.6)	1.625 (41.3)

- For complete dimensions see applicable Military Specification.
- Metric dimensions (mm) are indicated in parentheses.
- Cable range is defined as the accommodation range for the wire bundle or cable. Dimensions shown are not intended for inspection criteria.

Length Code	Available Shell Sizes	
	Shell Sizes	Length
Std.	9 - 25	1.500 (38.1)
A	9 - 25	2.500 (63.5)
B	15 - 25	3.500 (88.9)
C	21 - 25	4.500 (114.3)