



Search:



Products

Catalogs

Search

Customer Support

About Cannon

Home



D Subminiature Accessories

PART NUMBER: DB51212

Image Disclaimer:

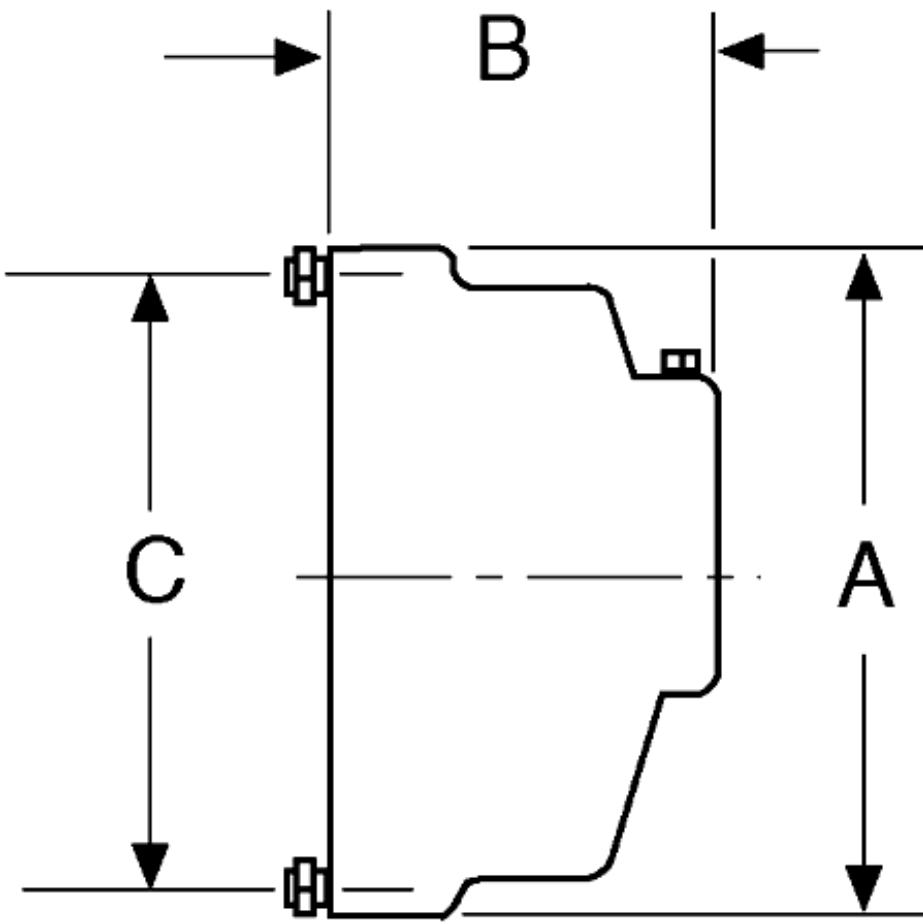
Please use Customer Drawing for design activity: line art and other pictures are general representations of product dimensions.



[View Line Drawings](#)

- [Sales Support](#)
- [Ask a Specialist](#)
- [Product Home](#)
- [Stock Check](#)

Product Group	D Subminiature Accessories
Where Sold	Asia Pacific, Americas
D Sub Accessory type	Plastic Endbell
Application Type	Commercial
Shell Size	DB
Cable Exit	Straight Cable Exit
Endbell Material	Thermoplastic, UL 94V-2 Rated. Color: Black.
Hardware Material	Steel
Hardware Finish	Yellow chromate over cadmium or zinc
Cable Entry	Ø12,52 (.493)
Dimension A	53,16 (2.093) ±0,38 (.015)
Dimension B	31,75 (1.250) ±0,38 (.015)
Dimension C	47,04 (1.852) ±0,13 (.005)
Dimension D	12,70 (.500) ±0,38 (.015)
Dimension F	12,52 (.493) ±0,25 (.010)
Dimension G	9,15 (.360) ±0,25 (.010)
Note 1	Kit consists of 1 shell, 1 cable clamp, 2 screws.
Note 2	Mounting hardware included, 2 screws #4-24 x 5/16 long self-tapping.
Note 3	Accommodates spring latches.
Footnote	Dimension are shown in mm (inch). Dimensions subject to change.
For more information	Please Contact Cannon Sales Department.



G
CABLE
ENTRY

