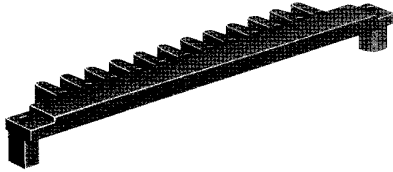


**Keying Systems**

**Type B, C, D, F, R and Q  
Connector Keying**

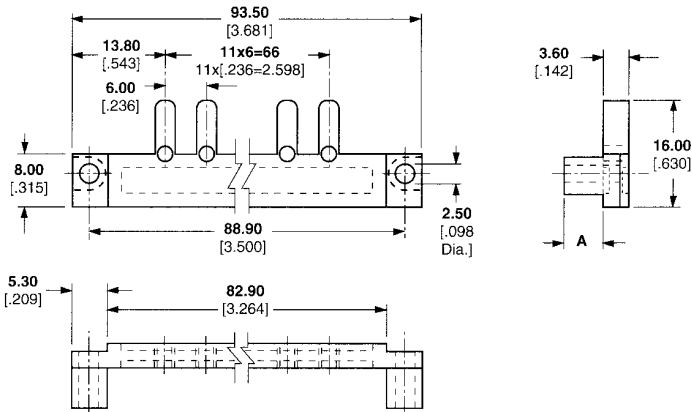


**Material**

**Housing** — Polycarbonate, red, 94V-1 rated

**Related Product Data**

**Technical Documents** — Page 74:  
Application Specification 114-9014  
Application Sketch 5LH-011.17

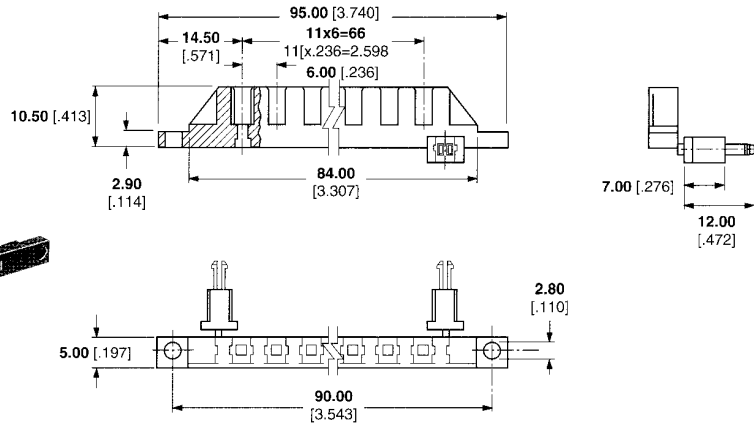
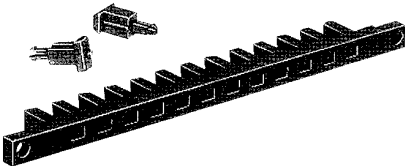


**Pin Assembly Keying Strip**

Connector Type	Dimension A	Part Number
C,D,F*,R	6.00 .236	926495-1
C,D,R	4.20 .165	926495-4

\* For Type F cable mount only.

Accessories



**Receptacle Assembly Keying Strip**

Connector Type	Part Number
B,C,D,F,Q,R	926495-2*

\* Two Keying plugs are molded to the strip, additional quantities of plugs can be ordered separately (Keying Plug Part Number 926495-3).

**Note:** Due to product design and shipping, keying plugs may be separated from strip.