



AS85049/88, AS85049/89, and AS85049/90 Banding Backshells

Glenair Connector
Designator H

MIL-DTL-38999
Series III & IV,
EN3645

M85049/88-17 P 02

Basic Part No.: _____
 M85049/88 = Straight
 M85049/89 = 45°
 M85049/90 = 90°
 Shell Size _____
 Entry Size _____
 Finish and Material _____

Self Locking Coupling

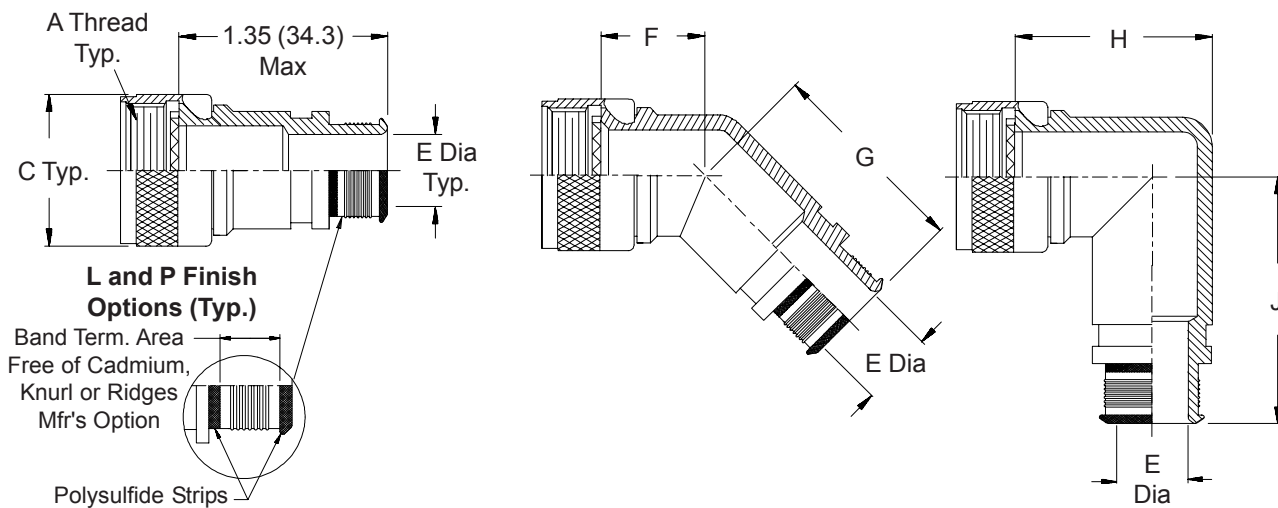


TABLE I

Shell Size	A Thread Class 2B	C Dia Max	E Dia Cable Entry				F Max	G Max	H Max	J Max
			Size 02		Size 03					
			±.010	(.3)	±.010	(.3)				
9	M12 X 1 - 6H	.86 (21.8)	N/A		.250 (6.4)		1.01 (25.7)	1.16 (29.5)	1.375 (34.9)	1.417 (36.0)
11	M15 X 1 - 6H	.99 (25.1)	N/A		.312 (7.9)		1.03 (26.2)	1.19 (30.2)	1.437 (36.5)	1.480 (37.6)
13	M18 X 1 - 6H	1.16 (29.5)	.312 (7.9)		.438 (11.1)		1.06 (26.9)	1.21 (30.7)	1.562 (39.7)	1.553 (39.4)
15	M22 X 1 - 6H	1.28 (32.5)	.438 (11.1)		.562 (14.3)		1.08 (27.4)	1.24 (31.5)	1.687 (42.8)	1.614 (41.0)
17	M25 X 1 - 6H	1.41 (35.8)	.500 (12.7)		.625 (15.9)		1.11 (28.2)	1.26 (32.0)	1.750 (44.5)	1.678 (42.6)
19	M28 X 1 - 6H	1.52 (38.6)	.625 (15.9)		.750 (19.1)		1.12 (28.4)	1.27 (32.3)	1.875 (47.6)	1.733 (44.0)
21	M31 X 1 - 6H	1.64 (41.7)	.625 (15.9)		.812 (20.6)		1.15 (29.2)	1.30 (33.0)	1.938 (49.2)	1.796 (45.6)
23	M34 X 1 - 6H	1.77 (45.0)	.688 (17.5)		.938 (23.8)		1.17 (29.7)	1.33 (33.8)	2.062 (52.4)	1.859 (47.2)
25	M37 X 1 - 6H	1.89 (48.0)	.750 (19.1)		1.000 (25.4)		1.20 (30.5)	1.35 (34.3)	2.125 (54.0)	1.919 (48.7)

1. For complete dimensions see applicable Military Specification.

2. Metric dimensions (mm) are indicated in parentheses.

TABLE II

Finish Option Aluminum Material	Finish Option Composite Material	Finish
G	Not Available	Electroless Nickel (Space Grade)
N	M	Electroless Nickel
P	L	Cadmium Olive Drab Over Electroless Nickel with Polysulfide Sealant Strips
W	J	1,000 Hour Cadmium Olive Drab Over Electroless Nickel