



Guiding Hardware (Continued)

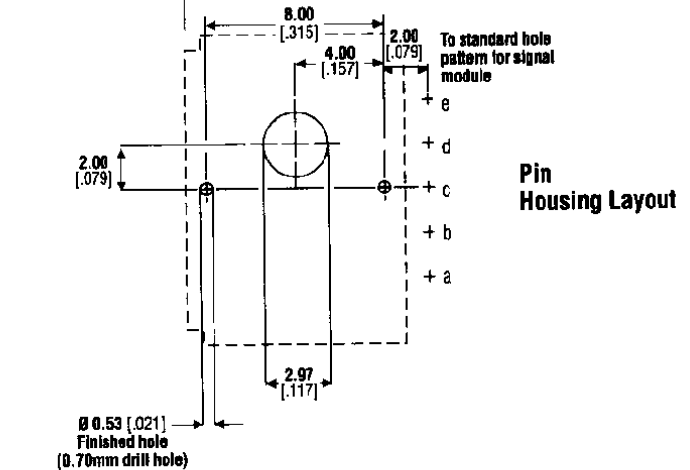
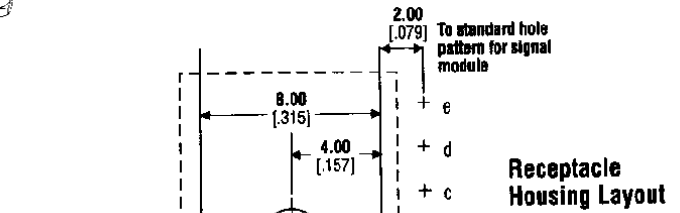
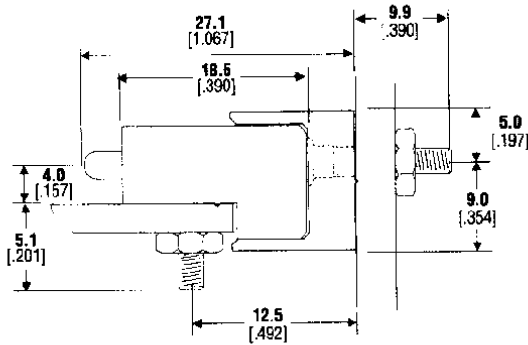
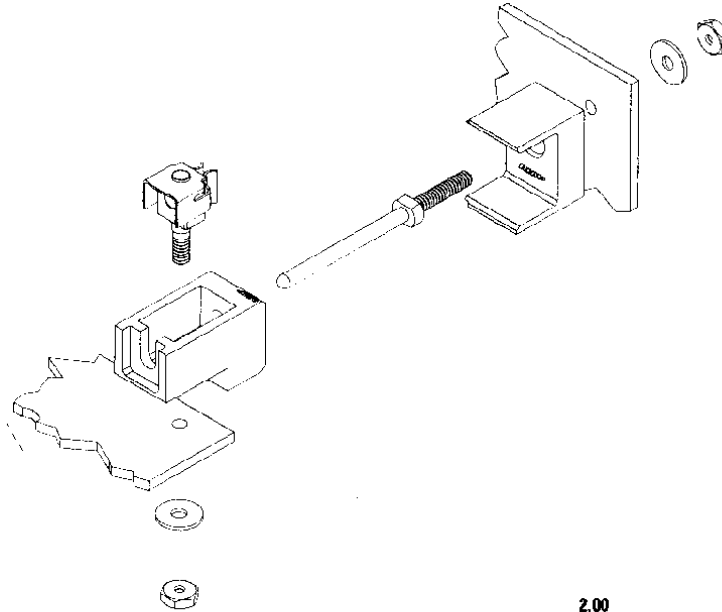
Static Discharge Guide Pins

Ground connection and guidance can be combined using this system which can be used instead of the guide pins shown on page 230. The contacts have a rating of 10A and give a make/break position 12mm [.472] in advance of level 3 signal contacts.

Alternative pin lengths are possible and the pin contact housing can be omitted if desired.

Materials and Finish

- Housings: Glass filled polyester gray, UL94 V-0 rating
- Contacts: Pin Brass
- Receptacle: Copper alloy
- Plating: 0.8µm Au in contact area over 0.8µm min Ni



Part Numbers	
Pin Contact	532828-5
Pin Contact Housing	646274-1
Receptacle Contact	533065-6
Rec Contact Housing	646273-1
Nut	21124-4
Washer	986794-1