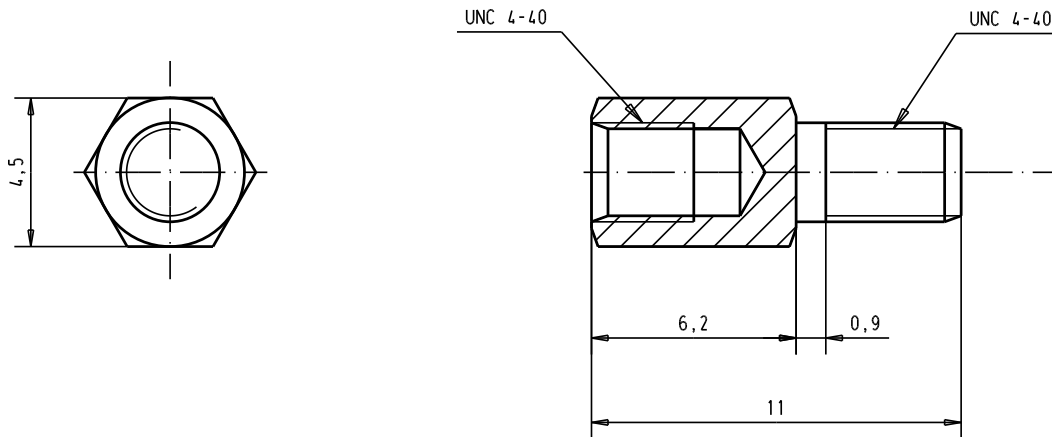




Alle Rechte vorbehalten / All rights reserved



32837	14/06/05	ED		Del.	Name	 All Dim. in mm Orig. Size DIN A 4	D-Sub, Female screw lock UNC 4-40 / UNC 4-40, nickel plated	Maßstab/ Scale 6:1
31910	27/05/04	JH	Detail.	27/05/04	JH			
29760	28/03/02	CV	Insp.					
23231	28/07/98	PP	Stand.					
21221	18/07/97	MF						
21212	16/04/97	MF	HARTING EURL F-95972 Paris			 Sub.	TB 09670009972	Blatt / Page 1 /
Mod.	Del.	Name						