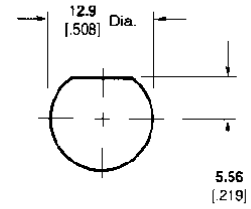
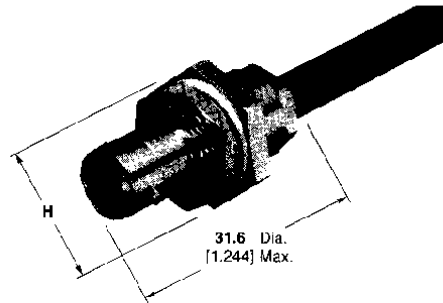


**BNC Connectors, 50 Ohm (Continued)**

**Bulkhead Jacks,  
Solder/Clamp**

Note: Panel Insulating Bushings — See below.



**Recommended Panel Cutout**  
Maximum Panel Thickness 3.6 [0.142]

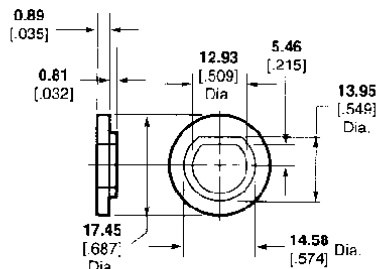
H = 17.5 [0.689] across flats, 20.32 [0.800] Max. across points

RG/U Cable	Center Contact Plating	Body Plating	Dielectric	Style	M/A-COM Model No.	Part No.
RG179B/U, RG187A/U, URM111	Gold	Silver	TEFLON	Mil Type	B37H39E022X	1310793-1
RG58C/U, RG141A/U, URM43, URM76	Gold	Silver	TEFLON	Mil Type	B35H39E010X	1314101-1
RG59B/U, RG62A/U, RG140/U	Gold	Nickel	TEFLON	Mil Type	B37H39J025X	1311691-1
URM70	Gold	Silver	TEFLON	Mil Type	B37H39E012X	1310792-1

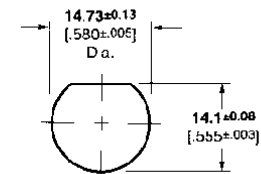
**Panel Insulating Bushings for Bulkhead Jacks**

Material — Nylon

Note: Can not be used with single crimp bulkhead jacks.



Part No. 330620 (2 Required)



**Recommended Panel Cutout**