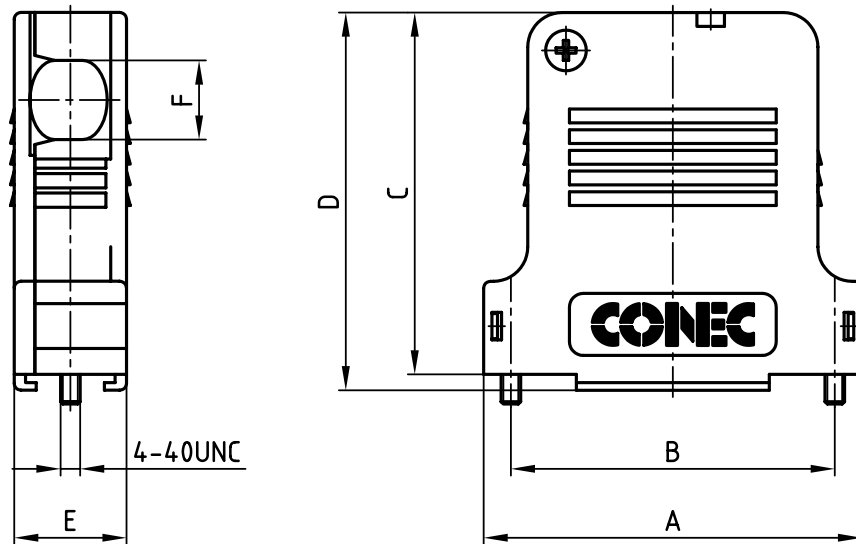


used for: D-SUB



No. of pos.	A	B	C	D	E	∅F	PART NO.
9	32.9	25.0	39.5	41.8	16.3	5.6	165X13419XE
15	41.2	33.3	45.5	47.8	16.3	8.6	165X13429XE
25	54.9	47.0	52.5	54.8	16.3	12.0	165X13439XE
37	71.4	63.5	55.0	57.8	18.7	15.0	165X13449XE
50	69.0	61.1	55.0	57.8	19.5	14.0	165X13459XE



**HOOD ASSEMBLY CONSISTS OF:**

- 1 x HOOD + COVER: PBT UL 94 V-0; BLACK
- 1 x PRESS INSERT: PBT UL 94 V-0; BLACK
- 2 x JACKSCREWS: BRASS; NICKEL PLATED
- 2 x SCREW FOR STRAIN RELIEF: STEEL; ZINC PLATED
- 1 x COVER SCREWS: STEEL; NICKEL PLATED
- 1 x STRAIN RELIEF: STEEL; NICKEL PLATED

**TECHNICAL DATA:**

- TEMPERATURE RANGE: -33°C to +90°C

APPROVAL # FREIGABE # DEBLOCAGE # AUTORIZACION # APPROVAL

CUSTOMER APPROVAL DATE:

NAME: TITLE:

COMPANY NAME:

APPROVAL # FREIGABE # DEBLOCAGE # AUTORIZACION # APPROVAL

THIS DRAWING MAY NOT BE COPIED OR REPRODUCED IN ANY WAY, AND MAY NOT BE PASSED ON TO A THIRD PARTY WITHOUT WRITTEN PERMISSION.  
 OWNERSHIP AND COPYRIGHT OF CONEC GmbH  
 DO NOT ALTER CAD DRAWING BY HAND

tolerance		dim. in mm	
2006	date	name	
drawn	06.02.	Lehmenkühler	
appd.	06.02.	Mickenbecker	
norm			
d-old			
a	Origin		
rev.	description	date	name



scale:	1:1	
material:	SEE DRAWING	
title:	<b>PLASTIC HOOD</b> 9-50pos. WITH SIDE CABLE EXIT big space inside	
dwg no:	AutoCAD 2004	DIN-A
	16K1A1737	4
part no:	SEE TABLE	
		sh: 1/1