

## Splash Proof/Sealed Universal MATE-N-LOK Connectors (Continued)

### Connector Seals

#### Product Facts

- Economical splash proof/immersible sealed connector system
- No design changes to existing Universal MATE-N-LOK product
- Existing applications utilizing Universal MATE-N-LOK connectors can be upgraded to a splash proof system
- Utilizes two wire seals and one interface seal
- Wire AWG range is .5 - 2.0 mm [#20 - #14] with insulation diameter range 1.52 - 3.30 mm [.060 - .130 in.]
- 2.79 - 3.30 mm [.110 - .130 in.] insulation diameter passed European IP sealing level #5/7 (swirling dust/immersion to 1 meter for 30 minutes)
- 1.52 - 2.79 mm [.060 - .110 in.] insulation diameter passed European IP sealing level #5/6 (swirling dust/heavy seas)
- Universal MATE-N-LOK II keying plug can be used to seal unused circuits
- Primary application is for wire-to-wire, wire-to-board application must use a closed bottom header

#### Material:

Silicone rubber, blue color

#### Technical Documents:

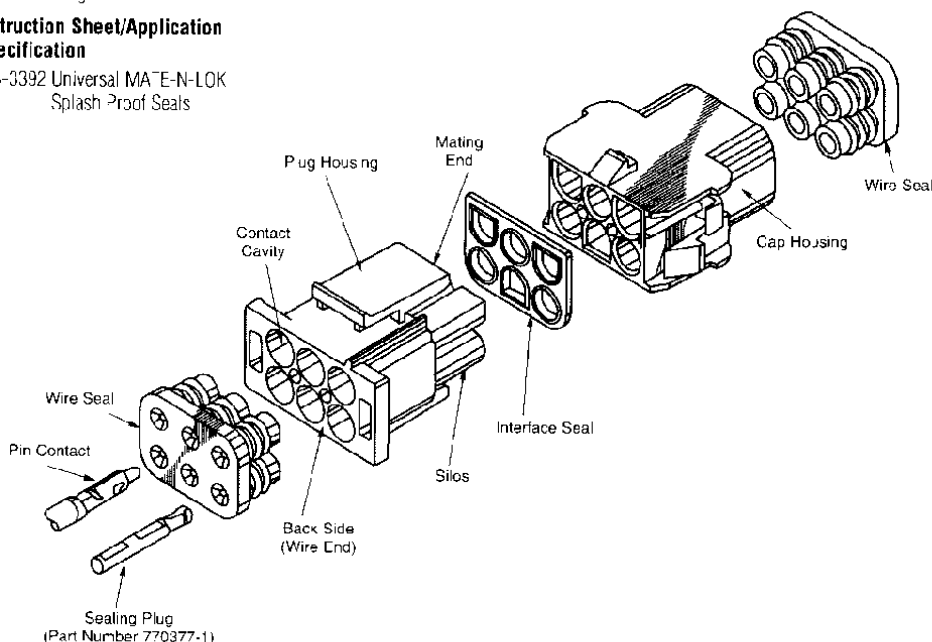
##### Product Specification

108-031-1 Splash Proof Seal  
Universal MATE-N-LOK  
Connectors

Contacts—page 54

##### Instruction Sheet/Application Specification

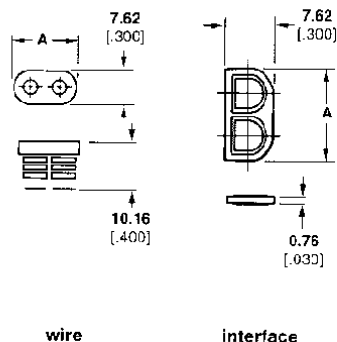
408-3392 Universal MATE-N-LOK  
Splash Proof Seals



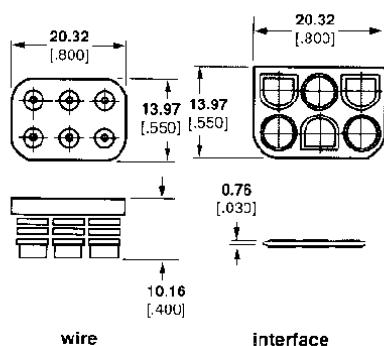
| Number of Circuits | A Dim.       | Interface Seal Part Numbers | Wire Seal Part Number |
|--------------------|--------------|-----------------------------|-----------------------|
| 2                  | 14.0 [.550]  | 794269-1                    | 794270-1              |
| 3                  | 20.3 [.800]  | 794271-1                    | 794272-1              |
| 4                  | 26.7 [1.050] | 794273-1                    | 794274-1              |
| 6                  | —            | 794275-1                    | 794276-1              |
| 9                  | 20.3 [.800]  | 794277-1                    | 794278-1              |
| 12                 | 26.7 [1.050] | 794279-1                    | 794280-1              |
| 15                 | 26.7 [1.300] | 794281-1                    | 794282-1              |

Note: One interface seal and two wire seals required per mated assembly.

#### 2, 3, 4 Circuit, In-Line



#### 6 Circuit, Matrix



#### 9, 12, and 15 Circuit, Matrix

