

Splash Proof/Sealed Universal MATE-N-LOK Connectors (Continued)

Connector Seals

Product Facts

- Economical splash proof/immersible sealed connector system
- No design changes to existing Universal MATE-N-LOK product
- Existing applications utilizing Universal MATE-N-LOK connectors can be upgraded to a splash proof system
- Utilizes two wire seals and one interface seal
- Wire AWG range is .5 - 2.0 mm [#20 - #14] with insulation diameter range 1.52 - 3.30 mm [.060 - .130 in.]
- 2.79 - 3.30 mm [.110 - .130 in.] insulation diameter passed European IP sealing level #5/7 (swirling dust/immersion to 1 meter for 30 minutes)
- 1.52 - 2.79 mm [.060 - .110 in.] insulation diameter passed European IP sealing level #5/6 (swirling dust/heavy seas)
- Universal MATE-N-LOK II keying plug can be used to seal unused circuits
- Primary application is for wire-to-wire, wire-to-board application must use a closed bottom header

Material:

Silicone rubber, blue color

Technical Documents:

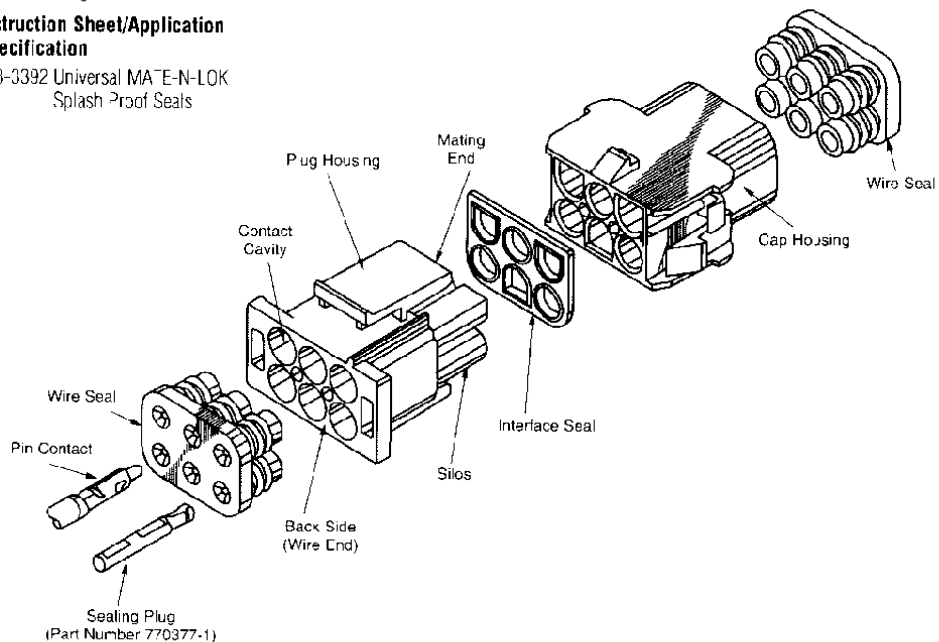
Product Specification

108-031-1 Splash Proof Seal
Universal MATE-N-LOK
Connectors

Contacts—page 54

Instruction Sheet/Application Specification

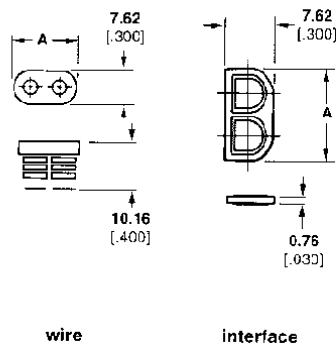
408-3392 Universal MATE-N-LOK
Splash Proof Seals



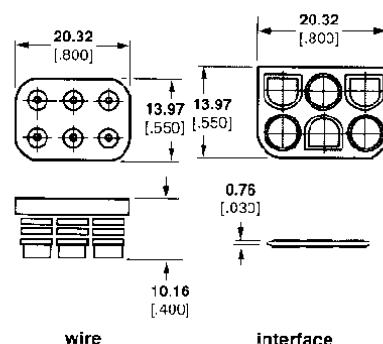
| Number of Circuits | A Dim. | Interface Seal Part Numbers | Wire Seal Part Number |
|--------------------|--------------|-----------------------------|-----------------------|
| 2 | 14.0 [.550] | 794269-1 | 794270-1 |
| 3 | 20.3 [.800] | 794271-1 | 794272-1 |
| 4 | 26.7 [1.050] | 794273-1 | 794274-1 |
| 6 | — | 794275-1 | 794276-1 |
| 9 | 20.3 [.800] | 794277-1 | 794278-1 |
| 12 | 26.7 [1.050] | 794279-1 | 794280-1 |
| 15 | 26.7 [1.300] | 794281-1 | 794282-1 |

Note: One interface seal and two wire seals required per mated assembly.

2, 3, 4 Circuit, In-Line



6 Circuit, Matrix



9, 12, and 15 Circuit, Matrix

