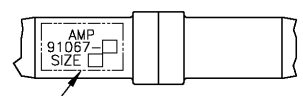
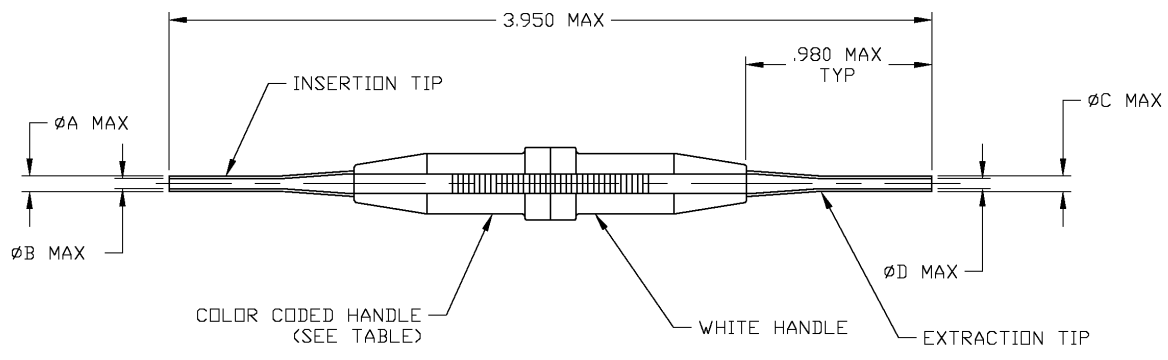


THIS DRAWING IS UNPUBLISHED. RELEASED FOR PUBLICATION N/A, N/A.
 © COPYRIGHT N/A BY TYCO ELECTRONICS CORPORATION. ALL RIGHTS RESERVED.

LOC	DIST	REVISIONS			
DF	AO	REV	PER	DATE	BY
		D	REV PER 0G3D-0629-02	4-03	CT SG



MARKING IN APPROX. AREA AS SHOWN

1. FOR CORRECT TOOL USAGE SEE INSTRUCTION SHEET: I. S. 408-7508

M81969/1-02	.072	.087	.072	.085	RED	20	91067-2
M81969/1-04	.053	.065	.056	.065	GREEN	22	91067-1
MILITARY PART NO. REF	DIM D	DIM C	DIM B	DIM A	COLOR CODE	SIZE	PART NUMBER

THIS DRAWING IS A CONTROLLED DOCUMENT.

DIM	08AUG2002	Tyco Electronics	Tyco Electronics Corporation Harrisburg, PA 17105
DWG	C.C.THOMAS 8-12-02		
APVD	S.GLATFELTER 8-12-02	NAME	
PRODUCT SPEC	S.GLATFELTER	INSERTION/EXTRACTION TOOL	
APPLICATION SPEC		SIZE	CAGE CODE
WEIGHT		A3	00779
CUSTOMER DRAWING		DRAWING NO	91067
		SCALE	2:1
		SHEET	1 OF 1
		REV	D

AMP 1470-19 REV 31MAR2000

H:\docmed\