

Hardware (Continued)

Material

.015 [0.38] Stainless steel

Related Product Data:

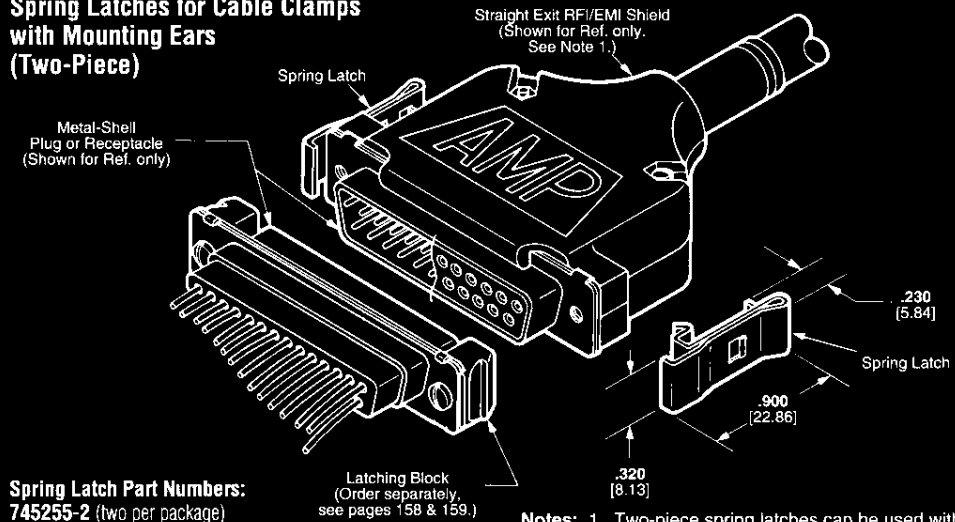
Connectors used with:

HDE Metal-Shell—pages 119 & 120
HDP Metal-Shell (Tin plated only)—pages 95-107

Technical Documents:

Instruction Sheet—408-9130

Spring Latches for Cable Clamps with Mounting Ears (Two-Piece)



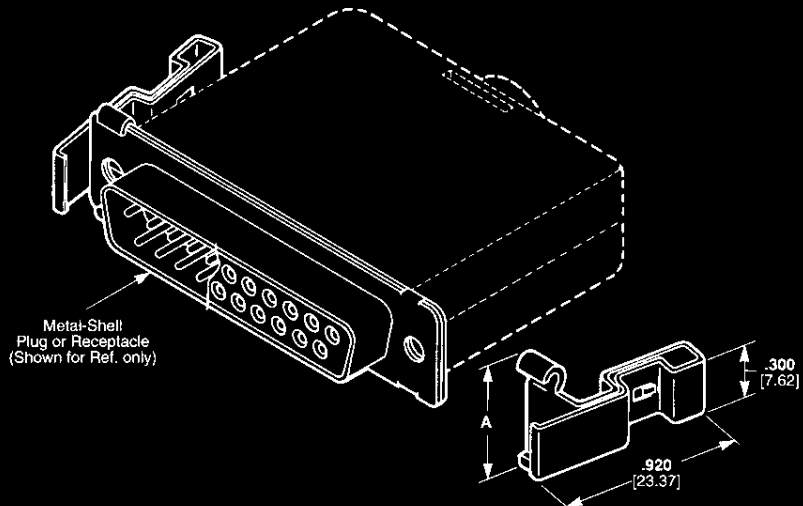
Spring Latch Part Numbers:
745255-2 (two per package)
745255-3 (bulk packed)*

*Two-piece spring latches are individually bulk packed for multiple part orders.

- Notes:** 1. Two-piece spring latches can be used with RFI/EMI shields (pages 146).
 2. Two-piece spring latches mate with latching blocks (pages 158 & 159).

Typical Application of Two-Piece Spring Latches with Straight Exit RFI/EMI Shield

Spring Latches (Two-Piece)



Material:

Stainless steel

Related Product Data:

Connectors used with:

HDE Metal-Shell—pages 119 & 120
HDP Metal-Shell—pages 95-107

Technical Documents:

Instruction Sheet—408-9131

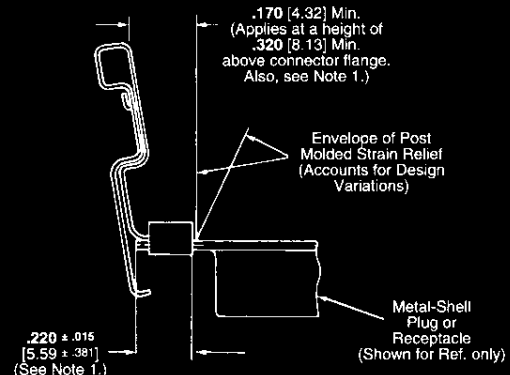
Spring Latch Part Numbers

Size	Dimension A	Two Per Package	Bulk Packed*
1-4	.540 13.72	745779-2	745779-3
5	.650 16.51	745779-5	—

*Two-piece spring latches are individually bulk packed for multiple part orders.

- Notes:** 1. These dimensions must be maintained to assure satisfactory operation of the spring latches.
 2. Two-piece spring latches mate with latching blocks (pages 158 & 159).

Typical Application of Two-Piece Spring Latches with Post Molded Strain Relief



Cable Connectors