

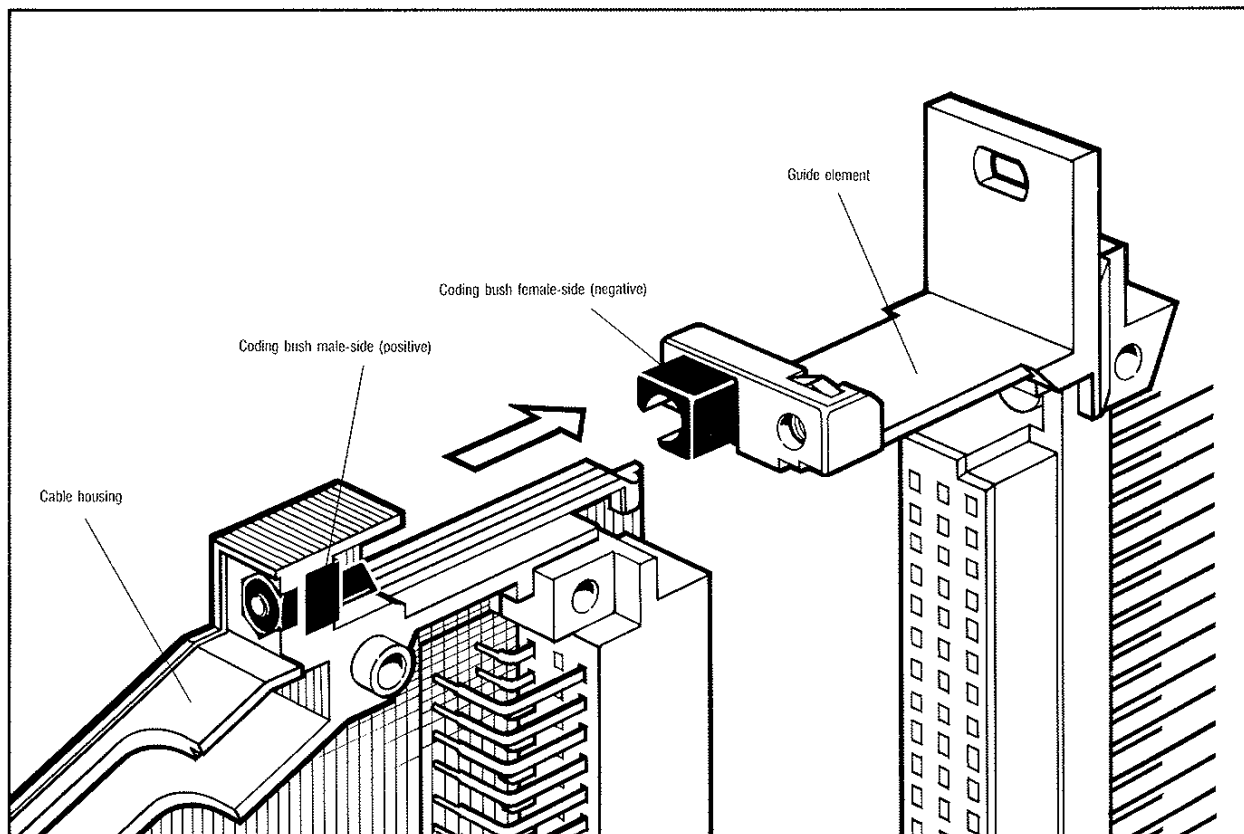
Technical data, coding system

Cable housings KSG 173, 203, 253, 193
for connectors to DIN 41 612 and VG 95 324

Technical data

Moulding material	Polycarbonate 30 % GFR
Application class	EKD DIN 40 040
Temperature range	-65°C to +125°C
Inflammability	UL 94 V-1
Metal parts	Steel, surface treated

Coding system



Packing

As component set packed in a bag;
2 coding bushes positive
2 coding bushes negative
and fastening elements

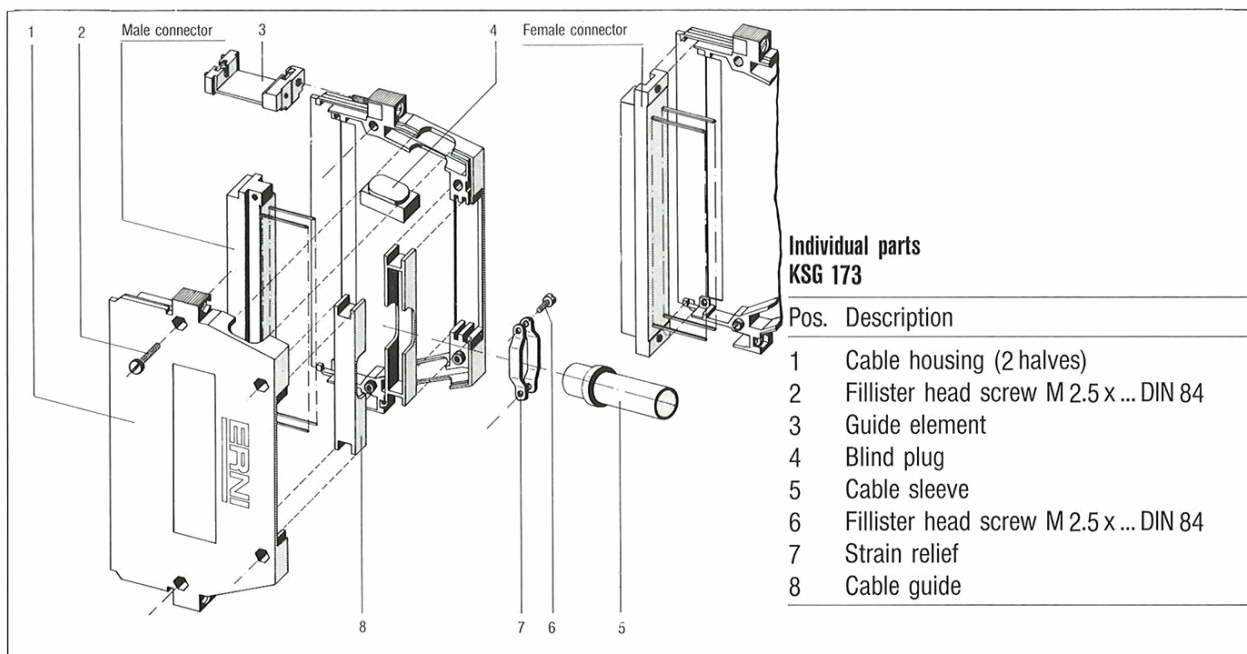
Part-No.

033 004

Individual parts, ordering details

**Cable housings KSG 173, 203, 253
for male and female connectors to DIN 41 612**

Individual parts



An adaptor element is necessary for fitting types B and Q.

Order details

Cable housing	Number of cable outlets	For connector type	Part-No.
KSG 173	1	B, C, D, H11, Q, R	173 001
KSG 173	2	B, C, D, H11, Q, R	173 002
KSG 173	1	E	173 051
KSG 173	2	E	173 052
KSG 173	1	H15	414 886
KSG 173	2	H15	414 888
KSG 203	1	F	203 001
KSG 203	2	F	203 002

Cable housings with 3 cable outlets on request

Cable housing	Version	For connector type	Part-No.
KSG 253	Outlets at rear and both sides	C Insulation Displacement Connectors	253 001
KSG 253	Outlet at rear	C Insulation Displacement Connectors	253 002
KSG 253	for cover plate	C, D, R	253 004

Cover plate for KSG 173 (3T)
Cover plate for KSG 173 (4T)
Cover plate for KSG 253
Adaptor for fitting male or female connectors type B and or Q into KSG 173

Part-No.
173 114
173 115
253 117
173 117

Special patterns for particular requirements on request.