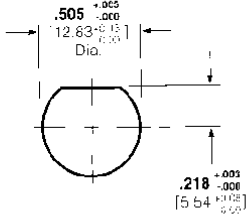


## TNC Connectors, 50 Ohm (Continued)

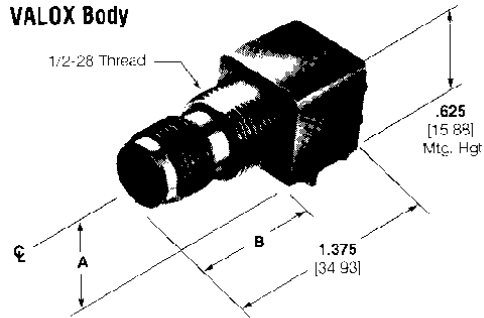
### Right-Angle PC Board/Panel Mount Jacks



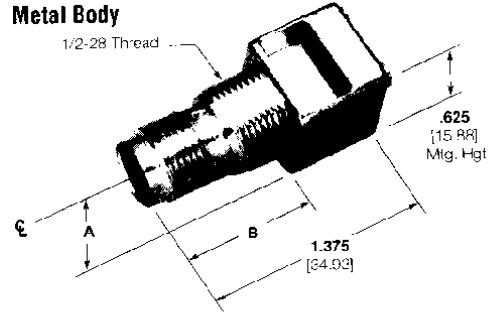
Maximum Panel Thickness: .240 [6.1]

Recommended Panel Cutout

### VALOX Body

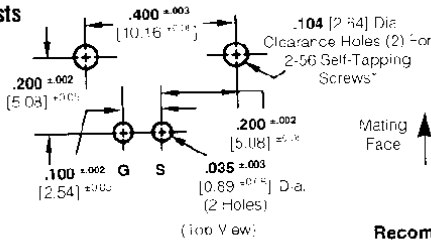


### Metal Body

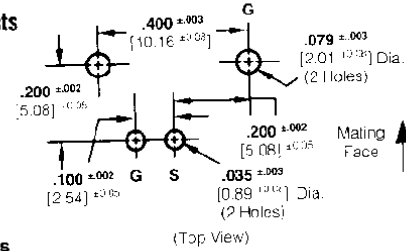


Body Material	v	Center Contact Plating	Dimensions		Part Numbers	
			A	B	Without Mounting Posts	With Mounting Posts
VALOX, White	50	Gold	.337 8.56	.835 21.21	227812-1	227818-1
Metal	50	Gold	.325 8.26	.820 20.83	227838-1	227839-1
Metal	75	Gold	.325 8.26	.820 20.83	—	413506-1

### Without Mounting Posts



### With Mounting Posts

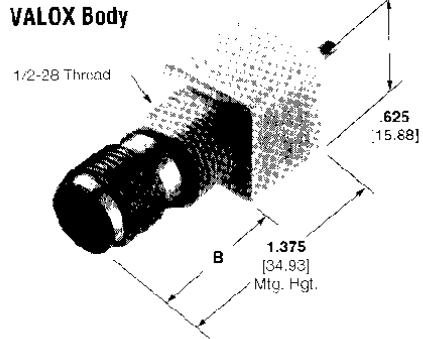


### Recommended PC Board Layouts

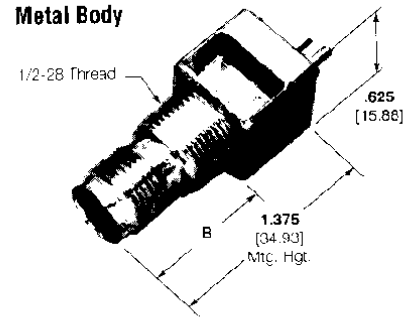
### Vertical PC Board/Panel Mount Jacks

\*2-56 Self-Tapping Screws:  
For 3/32 [1.57] or greater panel thickness  
Part No. 221108-2  
For less than 3/32 [1.57] panel thickness  
Part No. 221108-4

### VALOX Body



### Metal Body



Body Material	Center Contact Plating	Dimension B	Part Numbers	
			Without Mounting Posts	With Mounting Posts
VALOX, White	Gold	.835 21.21	227816-1	227820-1
VALOX, Black	Gold	.835 21.21	227817-1	—
Metal	Gold	.820 20.83	—	227835-1

### Lockwasher and Jam Nut

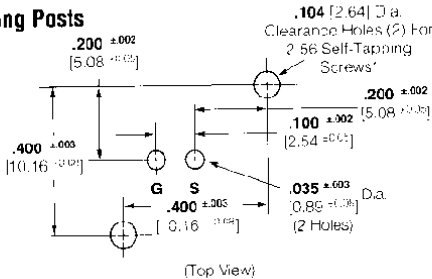


Part No. 1-329632-2

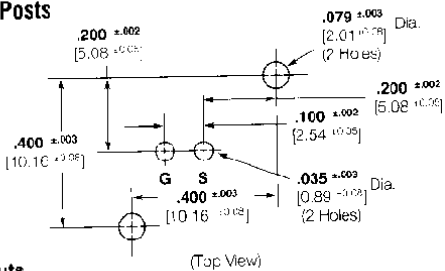


Part No. 1-329631-2

### Without Mounting Posts



### With Mounting Posts



### Recommended PC Board Layouts

TNC Connectors