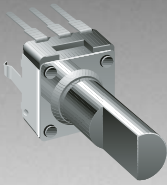


*RoHS COMPLIANT



BOURNS®

Features

- Carbon element
- Insulated shaft
- Snap-in clip
- Center detent option
- RoHS compliant*

Applications

- Audio/TV sets
- Car radio
- Amplifiers/mixers/drum machines/synthesizers
- PCs/monitors
- Appliances

PTV09 Series - 9 mm Potentiometer

Electrical Characteristics

TaperLinear, audio
 Standard Resistance Range1 K ohms to 1 M ohms
 Standard Resistance Tolerance±20 %
 Residual Resistance500 ohms or ±1 % max.

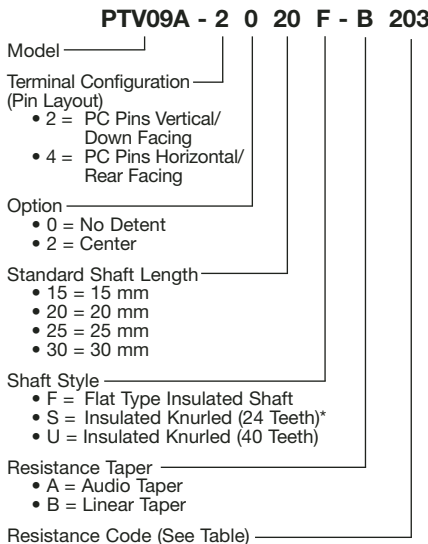
Environmental Characteristics

Operating Temperature-10 °C to +50 °C
 Power Rating (Linear and Audio)0.05 watt
 Maximum Operating Voltage (Linear and Audio).....20 VDC, 50 VAC
 Sliding Noise100 mV max.

Mechanical Characteristics

Mechanical Angle280 ° ±5 °
 Rotational Torque10 to 100 g-cm
 Detent Torque.....40 to 200 g-cm
 Stop Strength.....2 kg-cm min.
 Rotational Life10,000 cycles
 Soldering Condition300 °C max. within 3 seconds
 HardwareNo hardware supplied

How To Order

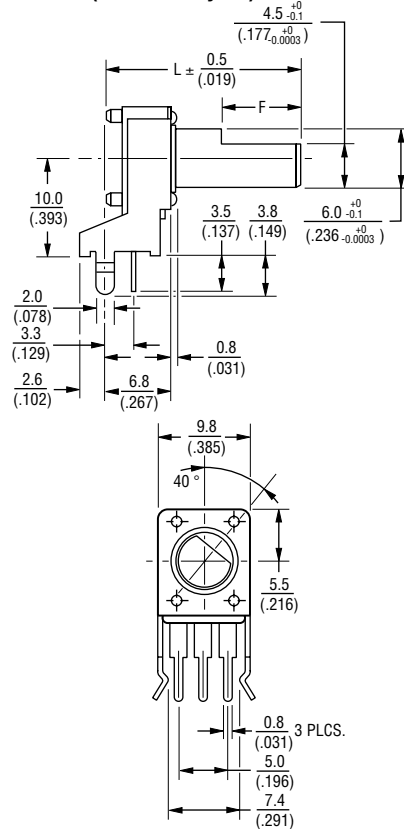


Other styles available.

*Available in 20 mm or 25 mm shaft lengths only.

Product Dimensions

PTV09A-2 (with shaft style F)

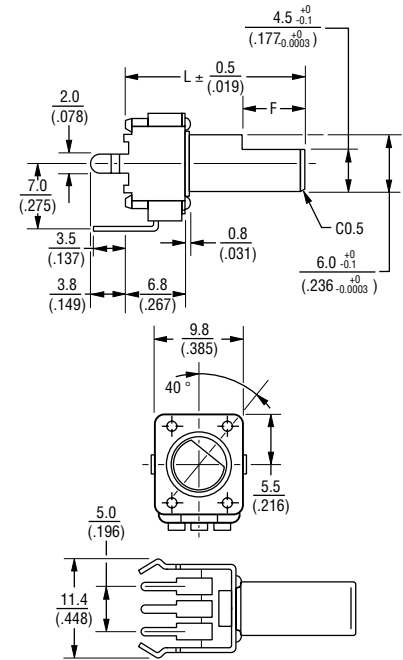


F-Type Shaft

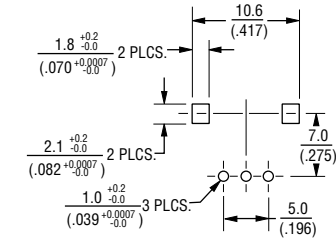
| | | | | |
|---|--------|--------|--------|---------|
| L | 15 | 20 | 25 | 30 |
| | (.591) | (.787) | (.984) | (1.181) |
| F | 6 | 7 | 12 | 12 |
| | (.236) | (.275) | (.472) | (.472) |

DIMENSIONS ARE: $\frac{\text{MM}}{\text{(INCHES)}}$

PTV09A-4 (with shaft style F)



RECOMMENDED PCB LAYOUT



SHAFT SHOWN IN CCW POSITION

Standard Resistance Table

| Resistance (Ohms) | Resistance Code |
|-------------------|-----------------|
| 1,000 | 102 |
| 2,000 | 202 |
| 5,000 | 502 |
| 10,000 | 103 |
| 20,000 | 203 |
| 50,000 | 503 |
| 100,000 | 104 |
| 200,000 | 204 |
| 500,000 | 504 |
| 1,000,000 | 105 |

*RoHS Directive 2002/95/EC Jan 27 2003 including Annex. Specifications are subject to change without notice.

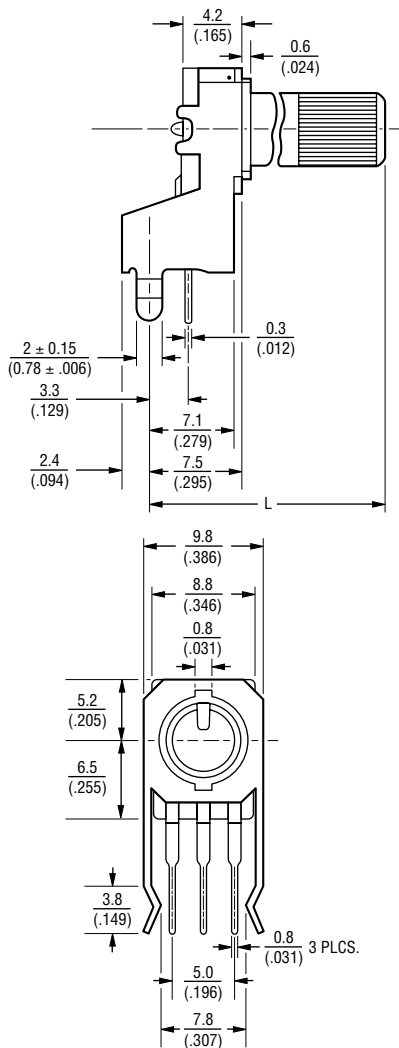
Customers should verify actual device performance in their specific applications.

PTV09 Series - 9 mm Potentiometer

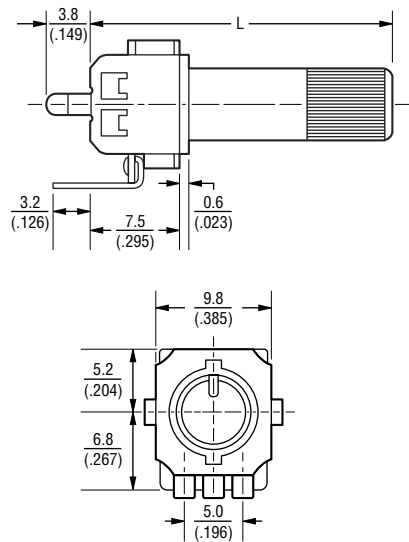
BOURNS®

Product Dimensions

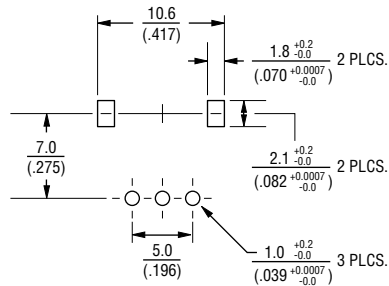
PTV09A-2
(with shaft style U)



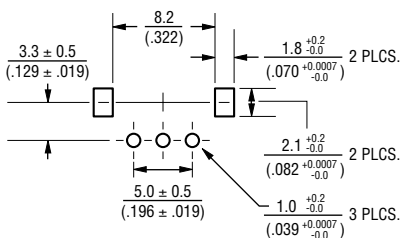
PTV09A-4
(with shaft style U)



RECOMMENDED PCB LAYOUT



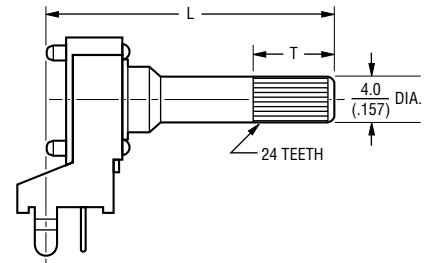
RECOMMENDED PCB LAYOUT



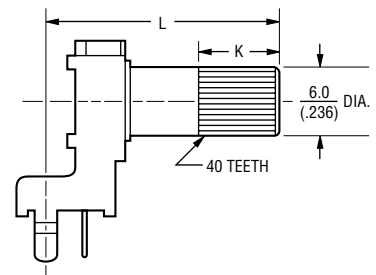
DIMENSIONS ARE: $\frac{\text{MM}}{\text{(INCHES)}}$

Shaft Styles

S-Type



U-Type



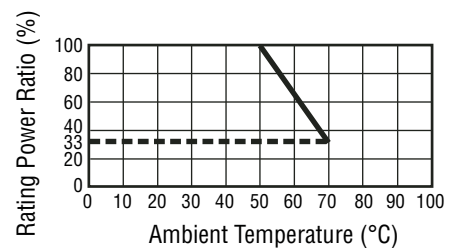
S-Type Shaft

| | | |
|---|--------|--------|
| L | 20 | 25 |
| | (.787) | (.984) |
| T | 7 | 7 |
| | (.275) | (.275) |

U-Type Shaft

| | | | | |
|---|--------|--------|--------|---------|
| L | 15 | 20 | 25 | 30 |
| | (.591) | (.787) | (.984) | (1.181) |
| K | 6 | 7 | 7 | 7 |
| | (.236) | (.275) | (.275) | (.275) |

Derating Curve



REV. 04/06

Specifications are subject to change without notice.
Customers should verify actual device performance in their specific applications.