

Features

- Single gang panel control
- RoHS compliant*
- Carbon element
- Center detent option
- Wide range of resistance tapers
- Insulated shaft styles
- Assortment of pin layouts

Applications

- Audio/TV sets
- Car radio
- Amplifiers/mixers/drum machines/synthesizers
- PCs/monitors
- Appliances

PDB12 Series - 12 mm Rotary Potentiometer

Electrical Characteristics

TaperLinear, audio
 Standard Resistance Range
1 K ohms to 1 M ohms
 Standard Resistance Tolerance±20 %
 Residual Resistance10 ohms max.

Environmental Characteristics

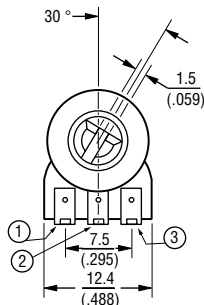
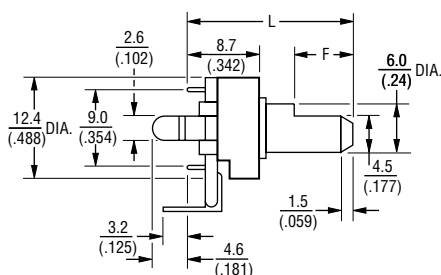
Operating Temperature
-10 °C to +50 °C
 Power Rating
 Linear0.08 watt
 Audio0.04 watt
 Maximum Operating Voltage
 Linear150 V
 Audio100 V
 Sliding Noise47 mV max.

Mechanical Characteristics

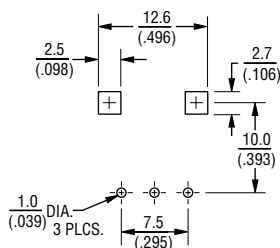
Mechanical Angle300 ° ±5 °
 Rotational Torque20 to 200 g-cm
 Stop Strength3 kg-cm min.
 Rotational Life15,000 cycles
 Soldering Condition
260 °C max. within 3 seconds
 HardwareNo hardware supplied

Product Dimensions

PDB12-H

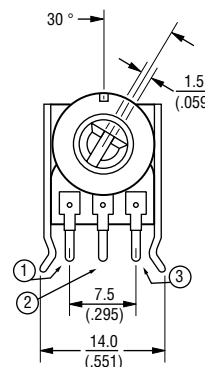
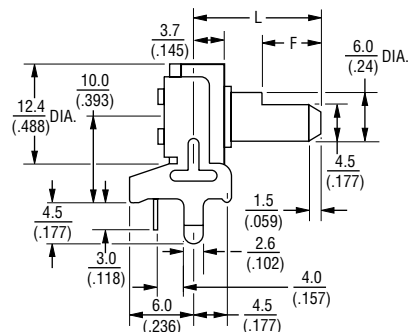


RECOMMENDED PCB LAYOUT

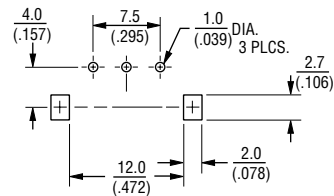


SHAFT SHOWN IN CCW POSITION

PDB12-G

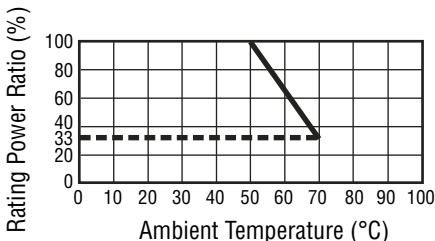


RECOMMENDED PCB LAYOUT



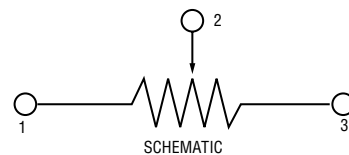
SHAFT SHOWN IN CCW POSITION

Derating Curve



PDB12 Dimensions

L	15 (.591)	20 (.787)	25 (.984)	30 (1.181)
F	7 (.275)	7 (.275)	12 (.472)	12 (.472)



DIMENSIONS ARE: $\frac{\text{MM}}{\text{(INCHES)}}$

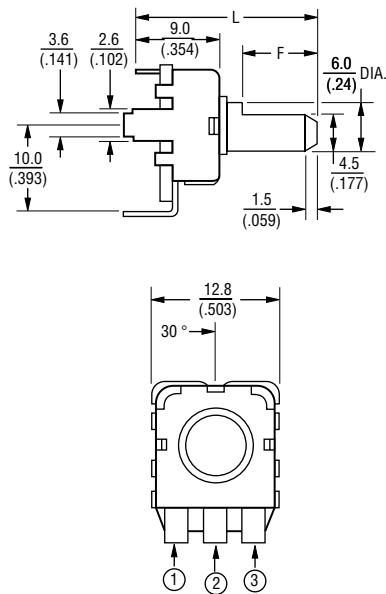
*RoHS Directive 2002/95/EC Jan 27 2003 including Annex. Specifications are subject to change without notice. Customers should verify actual device performance in their specific applications.

PDB12 Series - 12 mm Rotary Potentiometer

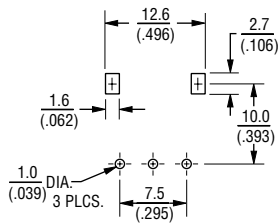
BOURNS®

Product Dimensions

PDB12-M



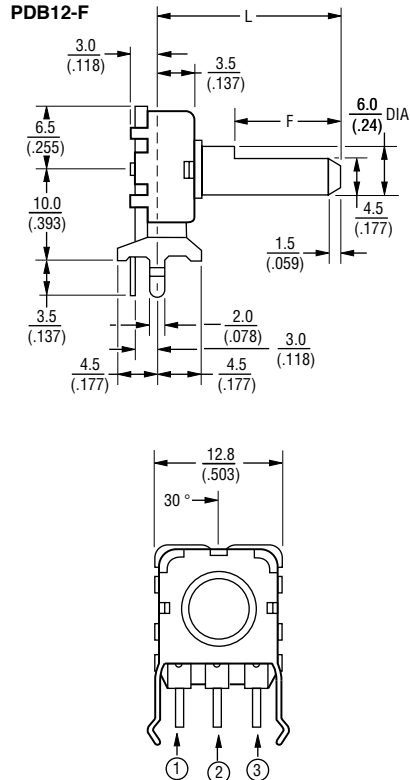
RECOMMENDED PCB LAYOUT



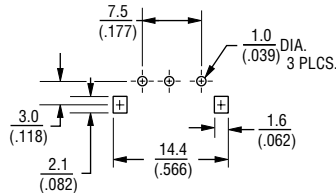
SHAFT SHOWN IN CCW POSITION

DIMENSIONS: $\frac{\text{MM}}{\text{(IN.)}}$

PDB12-F



RECOMMENDED PCB LAYOUT



SHAFT SHOWN IN CCW POSITION

How To Order

PDB12 - H 4 20 1 - 103 A F

Model

Terminal Config.
(see individual drawings)
H = PC pins, rear facing
snap mount
G = PC pins, vertical/
down facing/
snap mount
M = PC pins, rear facing
F = PC pins, vertical/
down facing/
snap mount

Option
• 2 = Center Detent
• 4 = No Detent

Standard Shaft Length
• 15 = 15 mm
• 20 = 20 mm
• 25 = 25 mm
• 30 = 30 mm

Number of Gangs
• 1 = Single Gang

Resistance Code (See Table)

Resistance Taper
• A = Audio Taper
• B = Linear Taper

Shaft Style
• F = Flat Type Insulated Shaft

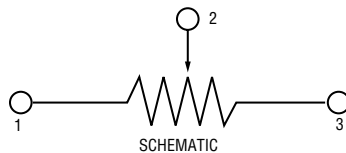
Other styles available.

Standard Resistance Table

Resistance (Ohms)	Resistance Code
1,000	102
2,000	202
5,000	502
10,000	103
20,000	203
50,000	503
100,000	104
200,000	204
500,000	504
1,000,000	105

PDB12 Dimensions

L	$\frac{15}{(.591)}$	$\frac{20}{(.787)}$	$\frac{25}{(.984)}$	$\frac{30}{(1.181)}$
F	$\frac{7}{(.275)}$	$\frac{7}{(.275)}$	$\frac{12}{(.472)}$	$\frac{12}{(.472)}$



REV. 10/08

Specifications are subject to change without notice.
Customers should verify actual device performance in their specific applications.