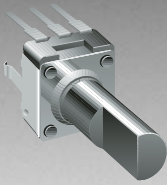


\*RoHS COMPLIANT



**BOURNS®**

**Features**

- Carbon element
- Insulated shaft
- Snap-in clip
- Center detent option
- RoHS compliant\*

**Applications**

- Audio/TV sets
- Car radio
- Amplifiers/mixers/drum machines/synthesizers
- PCs/monitors
- Appliances

**PTV09 Series - 9 mm Potentiometer**

**Electrical Characteristics**

Taper .....Linear, audio  
 Standard Resistance Range .....1 K ohms to 1 M ohms  
 Standard Resistance Tolerance ....±20 %  
 Residual Resistance .....500 ohms or ±1 % max.

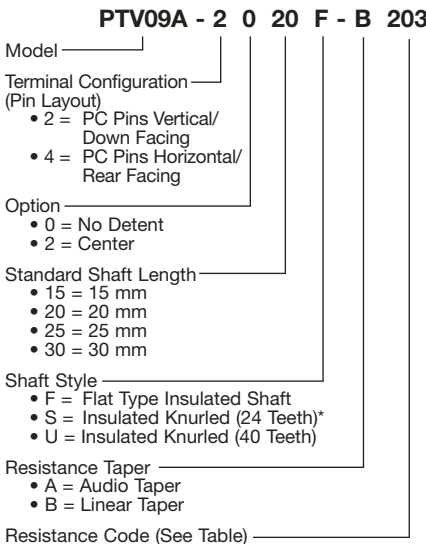
**Environmental Characteristics**

Operating Temperature .....-10 °C to +50 °C  
 Power Rating (Linear and Audio) .....0.05 watt  
 Maximum Operating Voltage (Linear and Audio).....20 VDC, 50 VAC  
 Sliding Noise .....100 mV max.

**Mechanical Characteristics**

Mechanical Angle .....280 ° ±5 °  
 Rotational Torque .....10 to 100 g-cm  
 Detent Torque.....40 to 200 g-cm  
 Stop Strength.....2 kg-cm min.  
 Rotational Life .....10,000 cycles  
 Soldering Condition .....300 °C max. within 3 seconds  
 Hardware .....No hardware supplied

**How To Order**

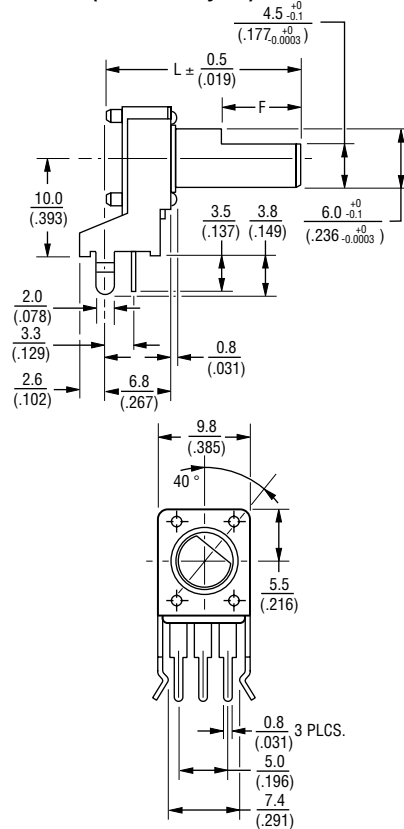


Other styles available.

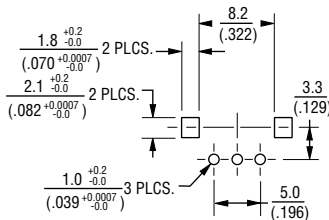
\*Available in 20 mm or 25 mm shaft lengths only.

**Product Dimensions**

**PTV09A-2 (with shaft style F)**



**RECOMMENDED PCB LAYOUT**



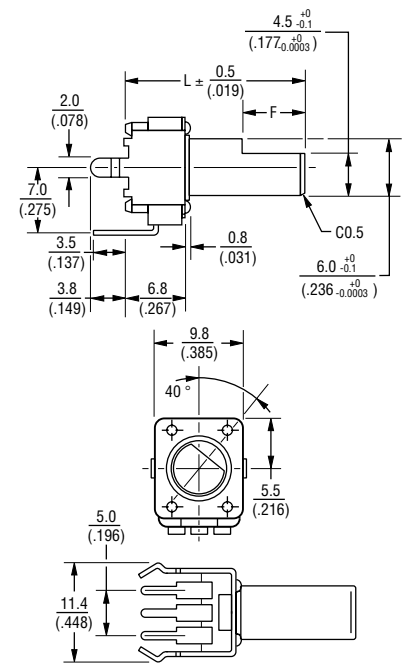
SHAFT SHOWN IN CCW POSITION

**F-Type Shaft**

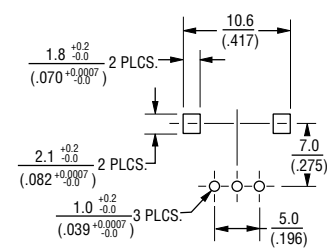
L	15	20	25	30
	(.591)	(.787)	(.984)	(1.181)
F	6	7	12	12
	(.236)	(.275)	(.472)	(.472)

DIMENSIONS ARE:  $\frac{\text{MM}}{\text{(INCHES)}}$

**PTV09A-4 (with shaft style F)**



**RECOMMENDED PCB LAYOUT**



SHAFT SHOWN IN CCW POSITION

**Standard Resistance Table**

Resistance (Ohms)	Resistance Code
1,000	102
2,000	202
5,000	502
10,000	103
20,000	203
50,000	503
100,000	104
200,000	204
500,000	504
1,000,000	105

\*RoHS Directive 2002/95/EC Jan 27 2003 including Annex. Specifications are subject to change without notice.

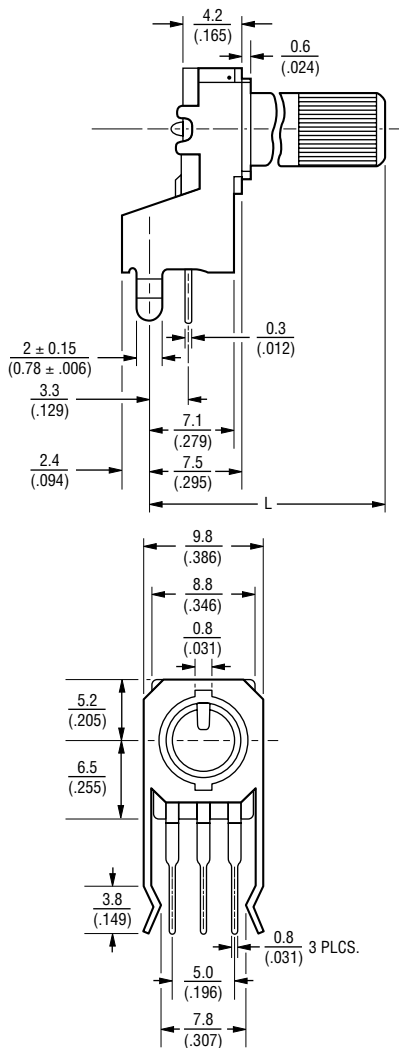
Customers should verify actual device performance in their specific applications.

# PTV09 Series - 9 mm Potentiometer

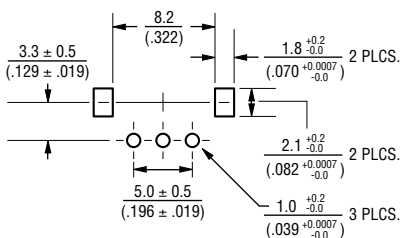
**BOURNS®**

## Product Dimensions

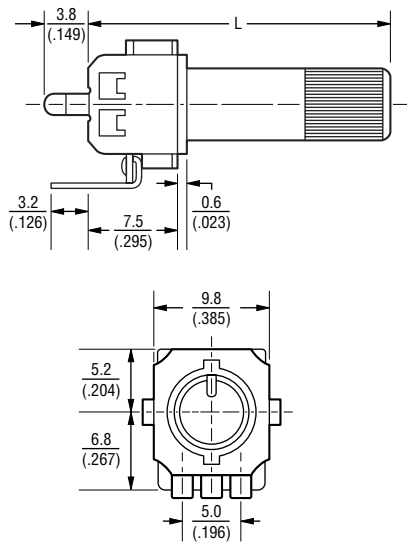
**PTV09A-2**  
(with shaft style U)



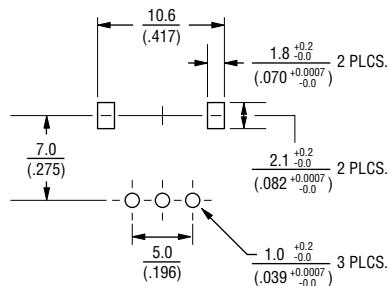
RECOMMENDED PCB LAYOUT



**PTV09A-4**  
(with shaft style U)



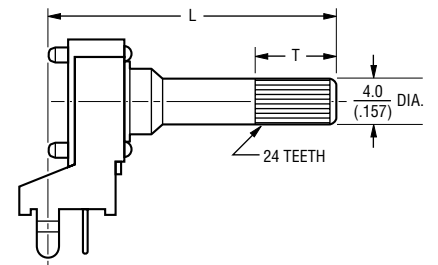
RECOMMENDED PCB LAYOUT



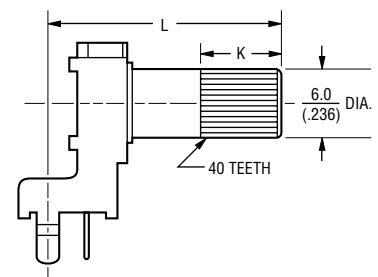
DIMENSIONS ARE:  $\frac{\text{MM}}{\text{(INCHES)}}$

## Shaft Styles

**S-Type**



**U-Type**



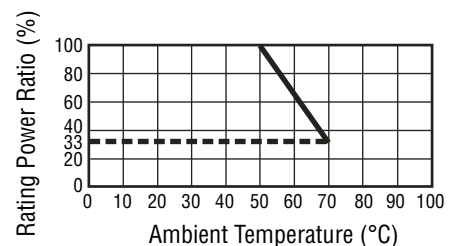
## S-Type Shaft

L	20	25
	(.787)	(.984)
T	7	7
	(.275)	(.275)

## U-Type Shaft

L	15	20	25	30
	(.591)	(.787)	(.984)	(1.181)
K	6	7	7	7
	(.236)	(.275)	(.275)	(.275)

## Derating Curve



REV. 04/06

Specifications are subject to change without notice.  
Customers should verify actual device performance in their specific applications.