



Features

- Adjustable from both sides
- Additional models and versions available
- Cermet resistive element

0655 - Trimpot® Trimming Potentiometer

Characteristics

Mechanical Angle.....230 ° ±20 °
 Starting Torque.....0.5 to 1.5 Ncm
 End Stop Strength.....5 Ncm max.
 Resistance Range
100 ohms to 4.7 megohms
 Resistance Taper.....Linear
 Power Rating.....0.5 W
 Temperature Range.....-55 °C to +125 °C
 Rotational Life.....100 cycles min.

Standard Resistance Table

Resistance (Ohms)	Resistance Code
100	101
220	221
470	471
1,000	102
2,200	222
4,700	472
5,000	502
10,000	103
22,000	223
47,000	473
100,000	104
220,000	224
470,000	474
1,000,000	105

How to Order

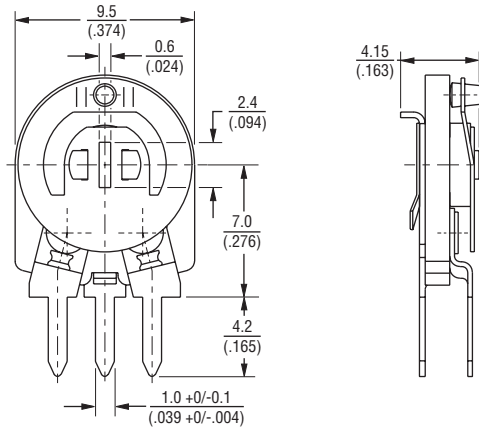
0655 - 314 - A B 103

Model Type _____
 • 0655
 Terminal Style _____
 • 314
 • 614
 Independent Linearity _____
 A = ±5 %
 Element Taper _____
 B = Linear Cermet ±20 %
 E = Linear Cermet ±10 %
 Resistance Code _____

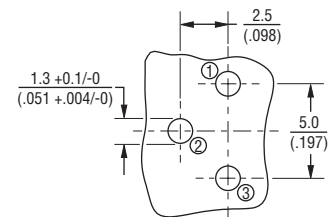
Other versions available upon request.

Product Dimensions

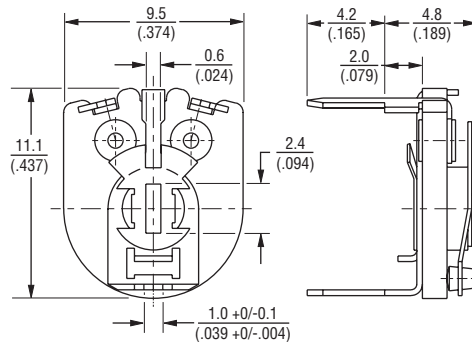
0655-314



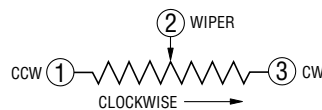
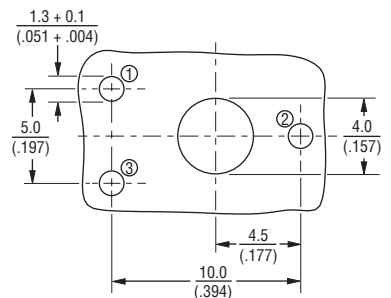
Recommended PCB Layout



0655-614



Recommended PCB Layout



DIMENSIONS ARE: $\frac{\text{MM}}{\text{(INCHES)}}$



Asia-Pacific:
 Tel: +886-2 2562-4117
 Fax: +886-2 2562-4116

Europe:
 Tel: +41-41 768 5555
 Fax: +41-41 768 5510

The Americas:
 Tel: +1-951 781-5500
 Fax: +1-951 781-5700

www.bourns.com