

*RoHS COMPLIANT

BOURNS®

Features

- Plastic housing
- Plug-in shaft available as accessory
- Additional models and versions available; special data sheets can be requested
- Carbon resistive element

0473 - Shaftless Rotary Potentiometer

Characteristics

Mechanical Angle..... $270^\circ \pm 10^\circ$
 Starting Torque.....0.5 to 2 Ncm
 End Stop Strength.....25 Ncm max.
 Resistance Range
100 ohms to 4.7 megohms
 Resistance Taper.....Linear
 Power Rating.....0.2 W
 Temperature Range..... -25°C to $+70^\circ\text{C}$
 Rotational Life.....10,000 cycles

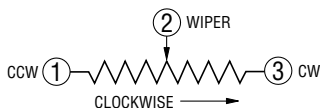
Standard Resistance Table

Resistance (Ohms)	Resistance Code
100	101
220	221
470	471
1,000	102
2,200	222
4,700	472
10,000	103
22,000	223
47,000	473
100,000	104
220,000	224
470,000	474
1,000,000	105
2,200,000	225
4,700,000	475

How to Order

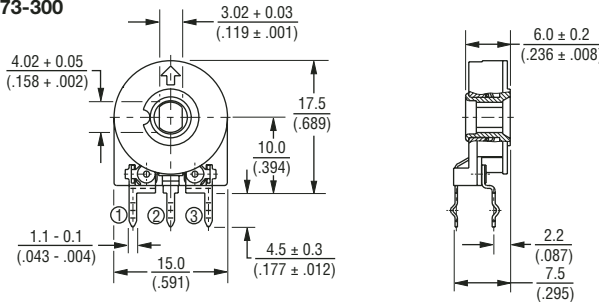
0473 - 600 - A B 103

Model Type _____
 • 0473
 Terminal Style _____
 • 300
 • 600
 (Other styles available upon request)
 Independent Linearity _____
 A = $\pm 5\%$
 B = $\pm 4\%$
 C = $\pm 3\%$
 D = $\pm 2.5\%$
 E = $\pm 2\%$
 Element Taper _____
 B = Linear Carbon $\pm 20\%$
 E = Linear Carbon $\pm 10\%$
 M = Linear Carbon $\pm 30\%$
 L = Linear Carbon $\pm 5\%$
 Resistance Code _____
 Other versions available upon request.

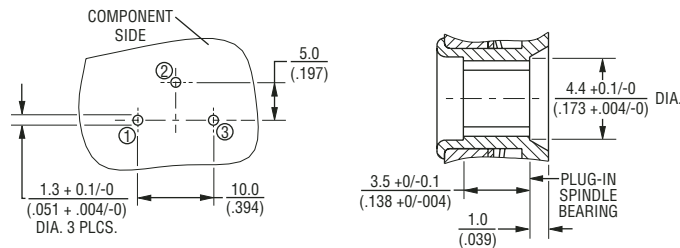


Product Dimensions

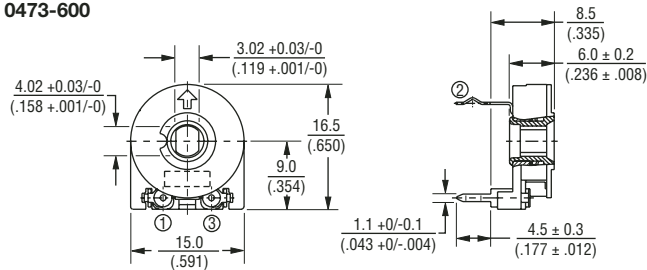
0473-300



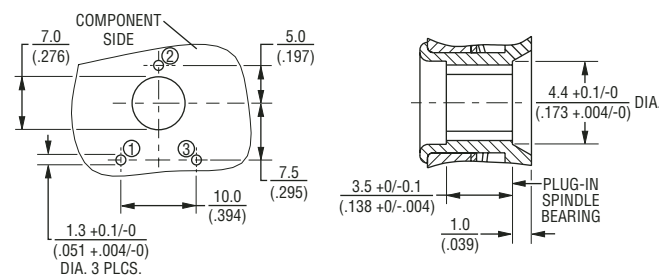
Recommended PCB Layout



0473-600



Recommended PCB Layout



DIMENSIONS ARE: $\frac{\text{MM}}{\text{(INCHES)}}$



Asia-Pacific: Tel: +886-2 2562-4117 • Fax: +886-2 2562-4116
 Europe: Tel: +41-41 768 5555 • Fax: +41-41 768 5510
 The Americas: Tel: +1-951 781-5500 • Fax: +1-951 781-5700
www.bourns.com