

Model P270/271/272  
 27mm Rotary Potentiometer  
 Long Life - 1 Million cycles  
 Conductive Plastic Element  
 Heavy Duty Applications  
 Sealed Unit Available  
 RoHS Compliant



## MODEL STYLES

Panel, Solder Lugs, Single Gang	P270
Panel, Solder Lugs, with Center Tap	P271
Panel, Solder Lugs, Dual Gang	P272

## ELECTRICAL<sup>1</sup>

Resistance Range, Ohms	200-1M (for "B" taper) 1K-1M (for other tapers)
Standard Resistance Tolerance	± 10%
Residual Resistance	6 Ω max.
Input Voltage, maximum	500 Vdc not to exceed power rating
Power rating, Watts	2 Watts @ 70°C for "B" Taper, 1 Watt for all others
Dielectric Strength	1000VAC, 1 minute
Insulation Resistance, Minimum	50M ohms at 500Vdc
Sliding Noise	100mV max.
Actual Electrical Travel, Nominal	300°
Electrical Continuity, Nominal	312°

## MECHANICAL

Total Mechanical Travel	312°± 5°
Static Stop Strength, Maximum	200 oz-in
Rotational Torque, (Single gang)	Dust Proof : 1.0.oz-in. Max. Sealed : 1.0 to 2.5 oz-in
Rotational Torque, Maximum (Dual gang)	Dust Proof : 3.0.oz-in. Sealed : 5.0 oz-in
Panel Nut Tightening Torque	25 lb-in

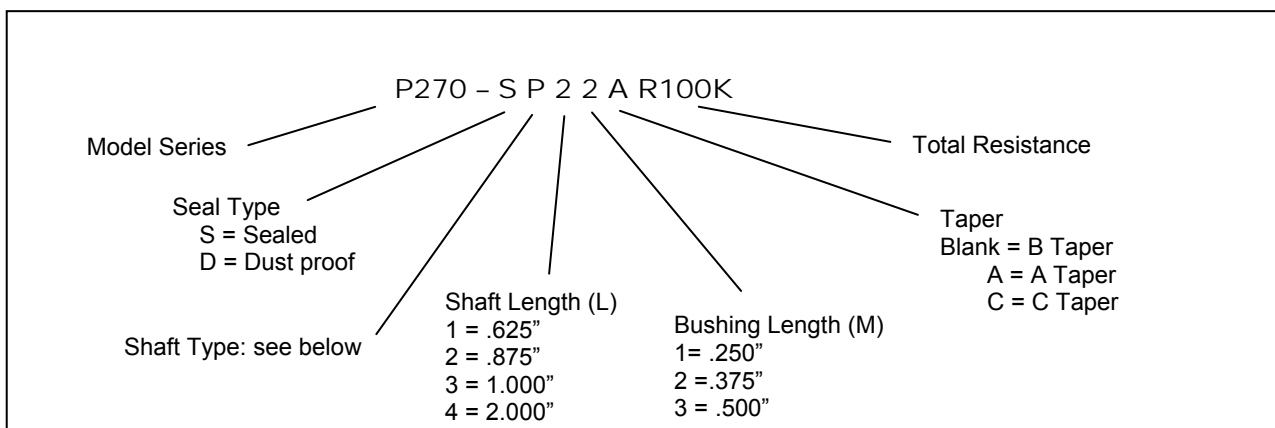
## ENVIRONMENTAL

Operating Temperature Range	-55°C to +120°C
Rotational Load Life	1M Cycles (10% ΔR)

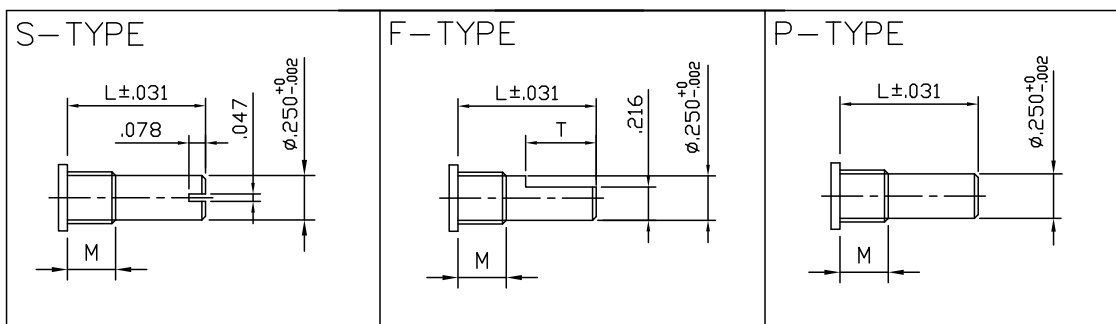
<sup>1</sup> Specifications subject to change without notice.

# Model P270/271/272

## ORDERING INFORMATION<sup>2</sup>



### Shaft Types



### F-TYPE Shaft – Bushing Combinations

Shaft Length (L)	Bushing Length (M)	Flat Length (T)
(1) = .625	(1) = .250	.315
(1) = .625	(2) = .375	.180
(1) = .625	(3) = .500	Not Available
(2) = .875	(3) = .500	.315
All Other Combinations		.375

## STANDARD RESISTANCE VALUES, OHMS

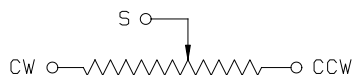
1K    2K    5K    10K    20K    50K    100K    200K    500K    1MEG

<sup>2</sup> Contact our customer service for custom designs and features.

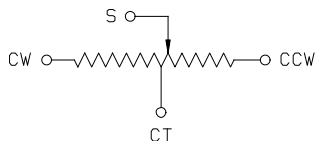
# Model P270/271/272

## CIRCUIT DIAGRAM

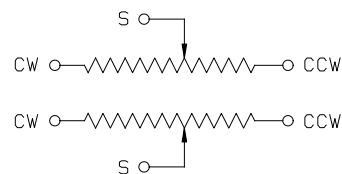
### P270 (without Center Tap)



### P271 (with Voltage Center Tap)

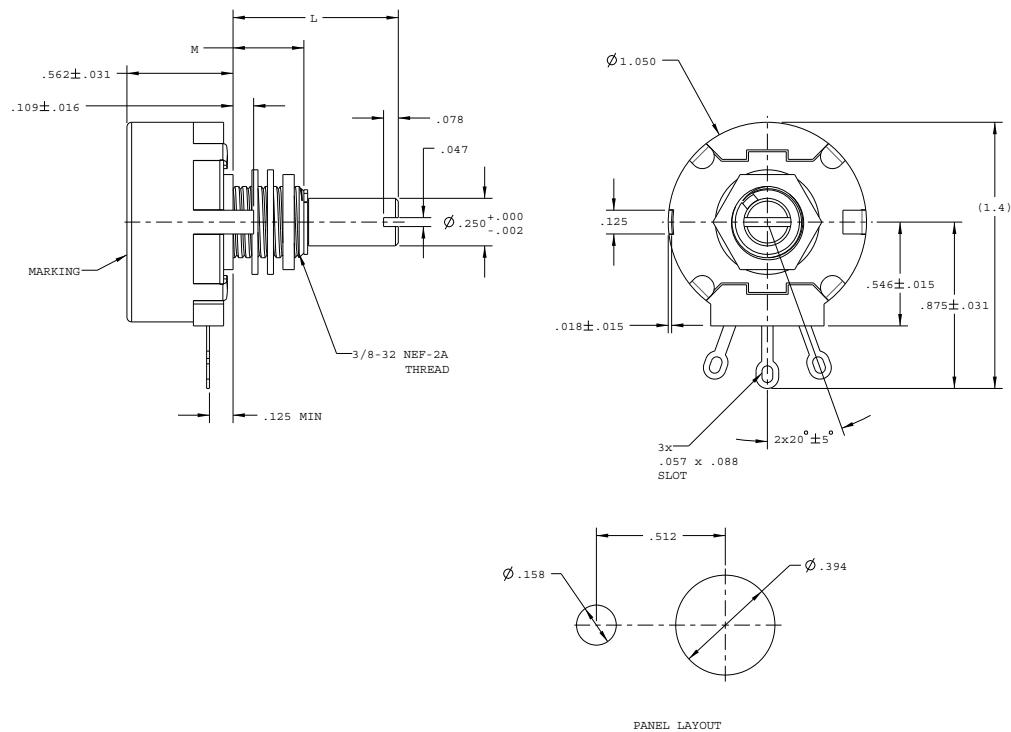


### P272 (Dual Gang)



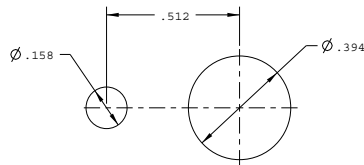
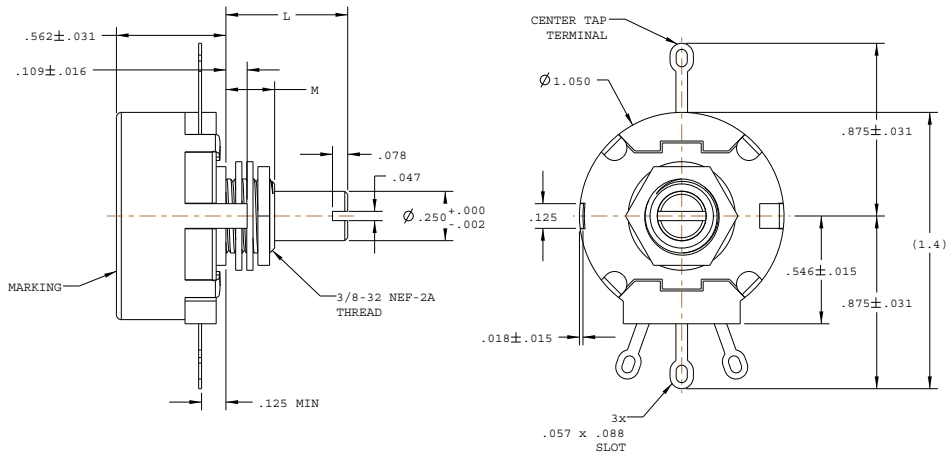
## OUTLINE DRAWING

### Model 270



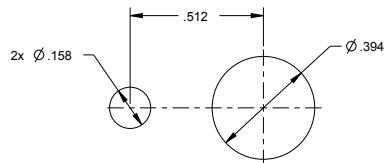
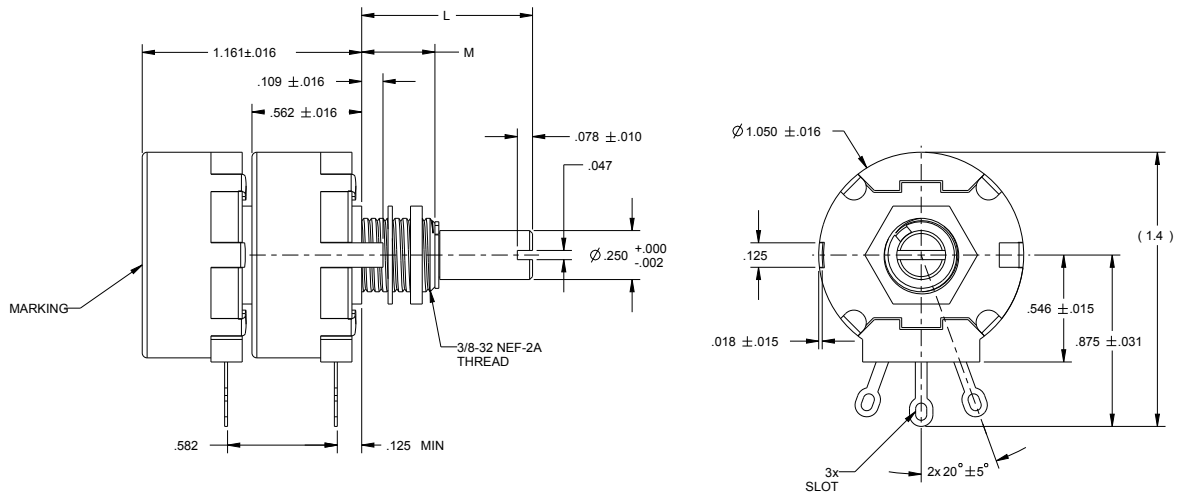
# Model P270/271/272

## Model 271 (Center Tap)



PANEL LAYOUT

## Model 272 (Dual gang)



PANEL LAYOUT