

Features

- High Performance Series 3/8" Square / Multiturn / Cermet / Industrial / Sealed
- Thin body profile
- Sealed to withstand board washing processes
- Low current applications <math>< 50 \mu A</math>
- Mounting hardware available



Model 3296-LC2 is obsolete and not recommended for new designs.
Model 3296 is preferred.

3296-LC2 - 3/8" Square Trimpot® Trimming Potentiometer

Electrical Characteristics

Standard Resistance Range
..... 500 ohms to 100K ohms
(see standard resistance table)
Resistance Tolerance $\pm 10\%$ std.
Absolute Minimum Resistance
..... 2 ohms or 1 % max.
(whichever is greater)
Contact Resistance Variation
..... 0.5 % max.
Contact Resistance (D.C. mode)
..... 0.3 % max.
D.C. Offset 0.5 % max.
Adjustability
Voltage $\pm 0.1\%$
Resistance $\pm 0.2\%$
Insulation Resistance 500 vdc.
1,000 megohms min.
Dielectric Strength
Sea Level 900 vac
70,000 feet 350 vac
Adjustment Angle, Electrical
..... 25 ± 5 turns

Environmental Characteristics

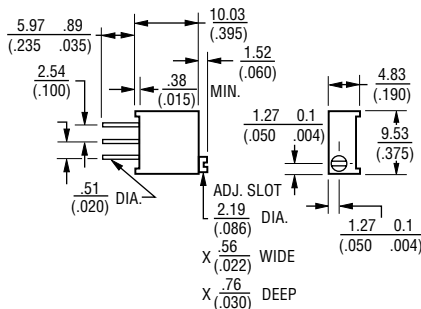
Power Rating (400 volts max.)
85 °C 0.5 watt
125 °C 0 watt
Temperature Range ... -55 °C to +125 °C
Temperature Coefficient ... ± 100 ppm/°C
Humidity 80-90 %, RH, 10 cycles
2 % max. TRS, IR 10 megohms
0.2 % max. contact resistance shift
Seal Test 85 °C Flourinert†
Vibration 20 G - 0.5 % VRS
0.2 % contact resistance shift
Shock 100 G - 0.5 % VRS
0.2 % contact resistance shift
Load Life @ 85 °C Rated Power
..... 1,000 hours 3 % TRS,
0.2 % contact resistance
shift - 0.5 % CRV
Rotational Life 200 cycles, 4 % TRS
0.2 % contact resistance shift
Thermal Shock 5 cycles
2 % TRS, 0.5 % VRS
0.2 % contact resistance shift

Physical Characteristics

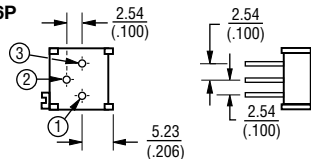
Torque 3.0 oz-in. max.
Mechanical Stops Wiper idles
Terminals Solderable PC pins
Weight 0.03 oz.
Marking Manufacturer's trademark,
resistance code and date code
Wiper 50 % $\pm 10\%$
Flammability U.L. 94V-0
Standard Packaging 50 pcs. per tube
Adjustment Tool H-90

Product Dimensions

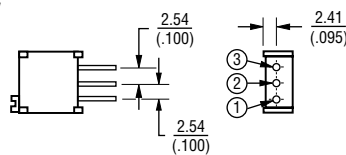
Common Dimensions



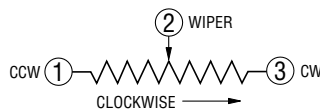
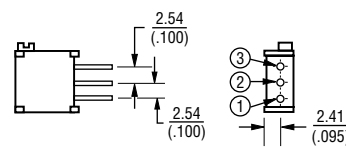
3296P



3296W



3296X



DIMENSIONS: $\frac{\text{MM}}{\text{(INCHES)}}$

TOLERANCES: $\pm \frac{0.25}{(.010)}$ EXCEPT WHERE NOTED

Standard Resistance Table

Resistance (Ohms)	Resistance Code
500	501
1,000	102
2,000	202
5,000	502
10,000	103
20,000	203
25,000	253
50,000	503
100,000	104

Shaded areas typically not stocked by distributors and not recommended for new designs.

How To Order

3296 W - LC2 - 103 LF

Model _____
Style _____
Product Indicator _____
Resistance Code _____
Terminations _____
LF = 100 % Tin-plated (RoHS compliant)
Blank = 90 % Tin / 10 % Lead-plated (Standard)
Consult factory for other available options.

REV. 03/10

*RoHS Directive 2002/95/EC Jan 27 2003 including Annex.
"Trimpot" is a registered trademark of Bourns, Inc.
†"Fluorinert" is a registered trademark of 3M Co.
Specifications are subject to change without notice.

Customers should verify actual device performance in their specific applications.