



## Features

- Carbon element
- Metal housing
- 45-100 mm travel
- Single and dual gang
- Dust cover option
- RoHS compliant\*



## PTB Series - Low Profile Slide Potentiometer

### Electrical Characteristics

Taper..... Linear, audio  
 Standard Resistance Range  
 ..... 1 K ohms to 1 M ohms  
 Standard Resistance Tolerance..... ±20 %  
 Residual Resistance  
 ..... 500 ohms or 1 % max.  
 Insulation Resistance  
 ..... Min. 100 megohms at 250 V DC

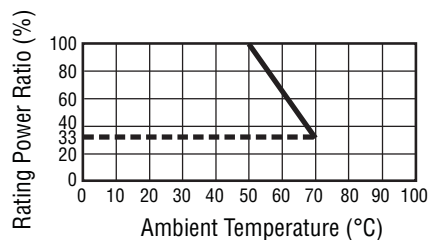
### Environmental Characteristics

Operating Temperature  
 ..... -10 °C to +60 °C  
 Power Rating, Linear  
 45 mm ..... 0.125 W (0.06 W Dual Gang)  
 60 mm ..... 0.25 W (0.125 W)  
 100 mm ..... 0.5 W (0.5 W)  
 Power Rating, Audio  
 45 mm .. 0.025 W (0.015 W Dual Gang)  
 60 mm ..... 0.25 W (0.125 W)  
 100 mm ..... 0.25 W (0.25 W)  
 Maximum Operating Voltage - Linear  
 45 mm ..... 350 VDC  
 60-100 mm ..... 500 VDC  
 Maximum Operating Voltage - Audio  
 45 mm ..... 250 VDC  
 60-100 mm Travel ..... 350 VDC  
 Withstand Voltage, Audio  
 ..... 1 Min. at 500 V AC  
 Tracking Error..... 3 dB at 50 % of travel

### Mechanical Characteristics

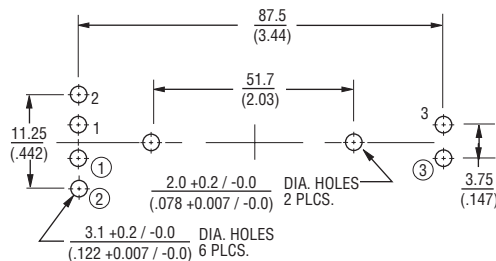
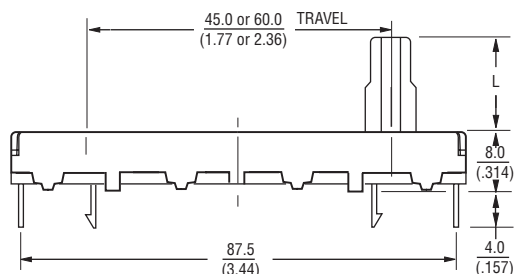
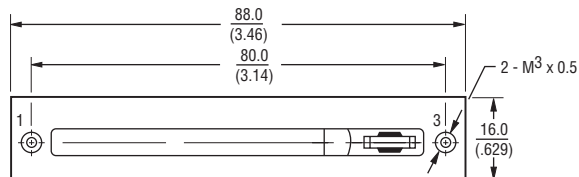
Operating Force ..... 10 to 100 g-cm  
 Stop Strength ..... 5 kg-cm min.  
 Sliding Life ..... 15,000 cycles  
 Soldering Condition  
 ..... 300°C max. within 3 seconds  
 Travel ..... 45, 60, 100mm

### Derating Curve



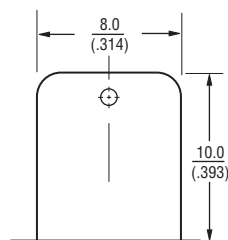
### Product Dimensions

#### PTB45 and PTB60



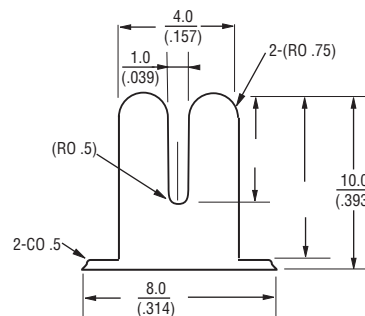
Numbers ①, ② and ③ for Dual Gang Versions

Lever Style  
 BP Metal Lever



Thickness = 1.2 mm

AP Metal Lever



Thickness = 1.2 mm

DIMENSIONS:  $\frac{\text{MM}}{\text{(INCHES)}}$

\*RoHS Directive 2002/95/EC Jan 27 2003 including Annex Specifications are subject to change without notice. Customers should verify actual device performance in their specific applications.

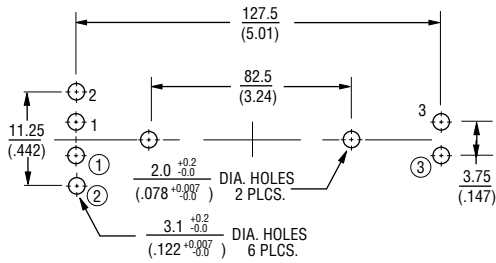
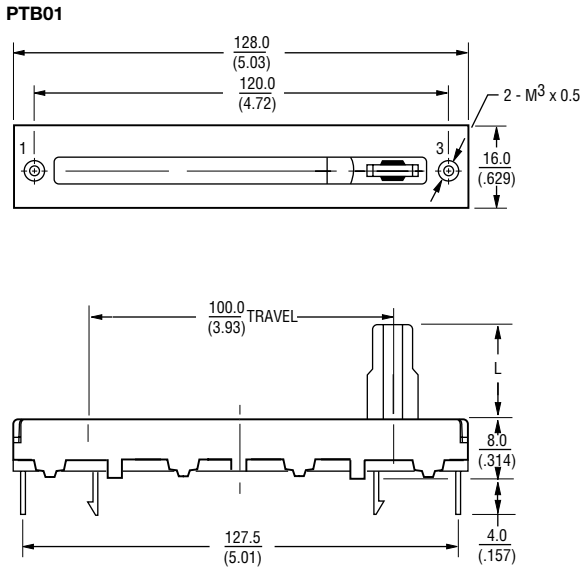
## Applications

- Audio/TV sets
- Car radio
- Amplifiers/mixers/drum machines/synthesizers
- PCs/monitors
- Appliances

# PTB Series - Low Profile Slide Potentiometer

# BOURNS®

### Product Dimensions



Numbers ①, ② and ③ for Dual Gang Versions

DIMENSIONS:  $\frac{\text{MM}}{\text{(INCHES)}}$

### How To Order

**PTB 01 4 3 - 2 0 10 BP A 102**

- Model
- Stroke Length
  - 45 = 45 mm
  - 60 = 60 mm
  - 01 = 100 mm
- Dust Cover Option
  - 4 = No Dust Cover
  - 5 = Rubber Dust Cover
- No. of Gangs
  - 3 = Single Gang
  - 4 = Dual Gang
- Pin Style
  - 2 = PC Pins Down Facing
- No Detent
- Standard Lever Length
  - 10 = 10 mm
- Lever Style
  - BP = Metal Lever (Refer to Drawing)
  - AP = Metal Lever (Refer to Drawing)
- Resistance Taper
  - A = Audio Taper
  - B = Linear Taper
- Resistance Code (See Table)

Other styles available

### Standard Resistance Table

Resistance (Ohms)	Resistance Code
1,000	102
2,000	202
5,000	502
10,000	103
20,000	203
50,000	503
100,000	104
200,000	204
500,000	504
1,000,000	105

REV. 03/10

Specifications are subject to change without notice.  
Customers should verify actual device performance in their specific applications.