

### Features

- Carbon element
- Insulated shaft
- Snap-in clip
- Center detent option
- Assorted pin layouts
- RoHS compliant\*

### Applications

- Audio/TV sets
- Car radio
- Amplifiers/mixers/drum machines/synthesizers
- PCs/monitors
- Appliances

## PTV142B - 14 mm Dual Potentiometer

### Electrical Characteristics

Taper .....Linear, audio  
 Standard Resistance Range .....1 K ohms to 1 M ohms  
 Standard Resistance Tolerance .....±20 %  
 Residual Resistance .....500 ohms or 1 % max.

### Environmental Characteristics

Operating Temp. ....-10 °C to +50 °C  
 Power Rating .....0.05 watt  
 Maximum Operating Voltage .....50 V AC  
 Sliding Noise .....100 mV maximum

### Mechanical Characteristics

Mechanical Angle .....300 ° ±5 °  
 Rotational Torque .....20 to 200 g-cm  
 Detent Torque .....30 to 300 g-cm  
 Stop Strength .....5 kg-cm min.  
 Rotational Life .....15,000 cycles  
 Soldering Condition .....300 °C max. within 3 seconds  
 Hardware .....One flat washer and mounting nut supplied per potentiometer with bushing

### How To Order

**PTV142B 2 0 E 1 20 A A 203**

Model \_\_\_\_\_

Pin Style \_\_\_\_\_

- 2 = PC Pins vert./Down Facing
- 4 = PC Pins horz./Rear Facing

Center Detent Option \_\_\_\_\_

- 0 = No Detent
- 2 = Center Detent

Electrical Diagram (See Diagram) \_\_\_\_\_

- E = for Tone application
- Y = for Volume application

Bushing Option \_\_\_\_\_

- 0 = No Bushing
- 1 = With Bushing (M9x0.75)x5 mm

Standard Shaft Length \_\_\_\_\_

- 15 = 15 mm
- 20 = 20 mm
- 25 = 25 mm

Shaft Styles \_\_\_\_\_

- A = Flat Type Insulated Shaft

Resistance Taper \_\_\_\_\_

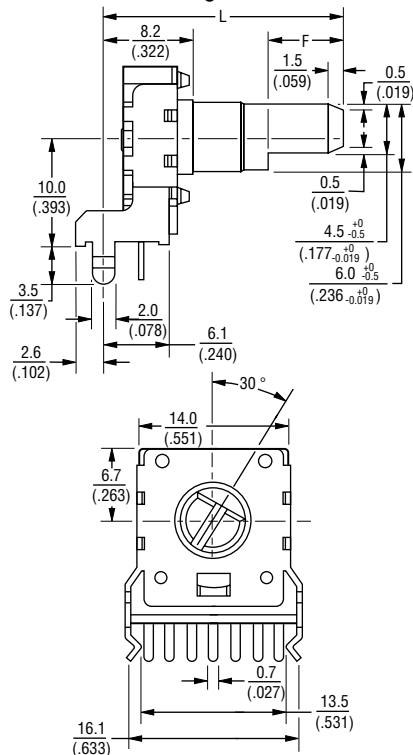
- A = Audio Taper (5K to 1M available)
- B = Linear Taper (1K to 1M available)

Resistance Code (See Table) \_\_\_\_\_

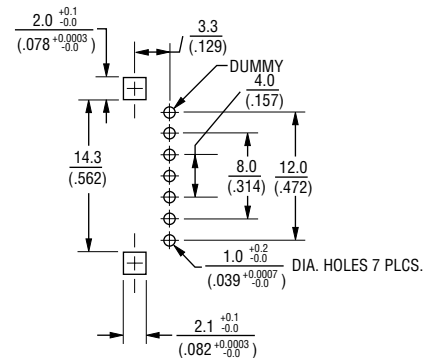
Other styles available.

### Product Dimensions

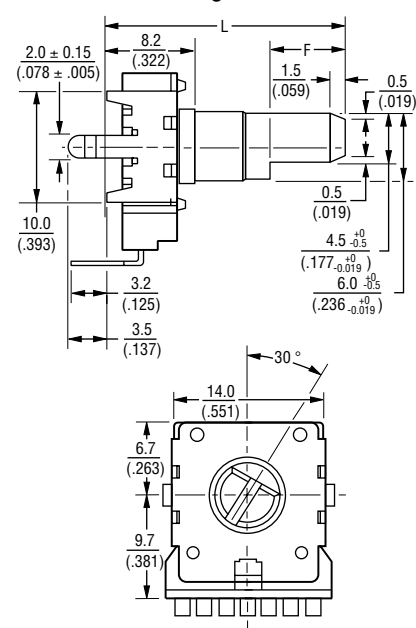
PTV142B-2 No Bushing



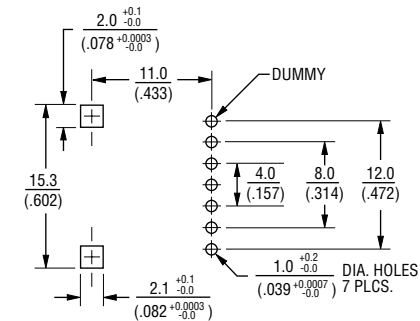
RECOMMENDED PCB LAYOUT



PTV142B-4 No Bushing



RECOMMENDED PCB LAYOUT



DIMENSIONS ARE:  $\frac{\text{MM}}{\text{(INCHES)}}$

### Dimensions Without Bushing

L	15	20	25
	(.590)	(.787)	(.984)
F	4.5	7	12
	(.177)	(.275)	(.472)

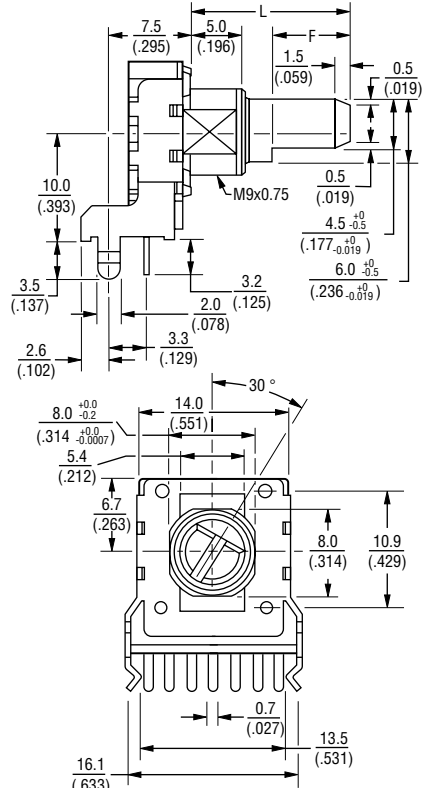
\*RoHS Directive 2002/95/EC Jan 27 2003 including Annex. Specifications are subject to change without notice. Customers should verify actual device performance in their specific applications.

# PTV142B - 14 mm Dual Potentiometer

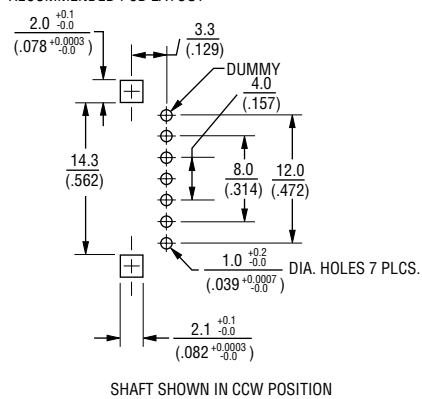
**BOURNS®**

## Product Dimensions

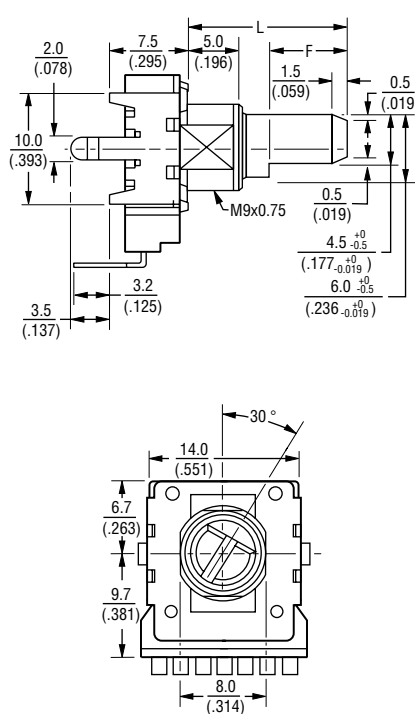
PTV142B-2 With Bushing



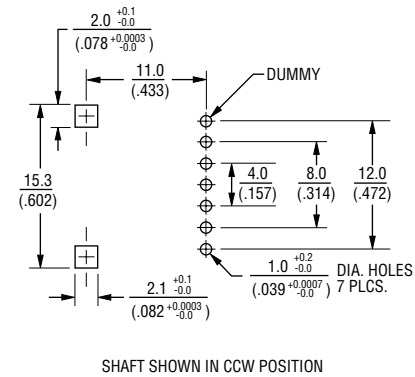
RECOMMENDED PCB LAYOUT



PTV142B-4 With Bushing



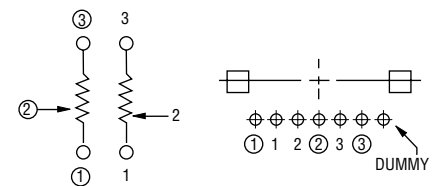
RECOMMENDED PCB LAYOUT



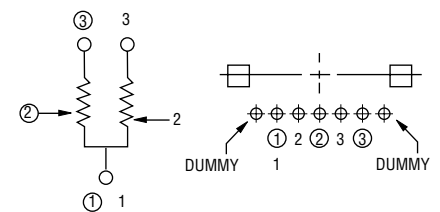
DIMENSIONS ARE:  $\frac{\text{MM}}{\text{(INCHES)}}$

## Electrical Diagrams

'E' FOR TONE APPLICATION



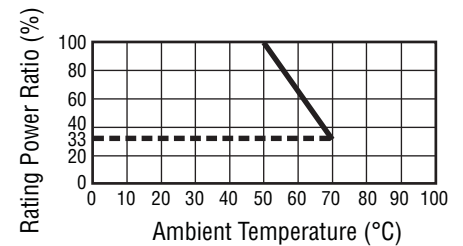
'Y' FOR VOLUME APPLICATION



## Standard Resistance Table

Resistance (Ohms)	Resistance Code
1,000	102
2,000	202
5,000	502
10,000	103
20,000	203
50,000	503
100,000	104
200,000	204
500,000	504
1,000,000	105

## Derating Curve



## Dimensions With Bushing

L	15	20	25
	(.590)	(.787)	(.984)
F	7	12	12
	(.275)	(.472)	(.472)

REV. 05/09

Specifications are subject to change without notice. Customers should verify actual device performance in their specific applications.