

Features

- Surface Mount 3 mm Square Single-Turn Cermet / Sealed
- Compatible with surface mount manufacturing processes
- Rotor stop for "in-circuit" adjustment
- 100 cycle rotational and seal life
- Plastic housing for RF applications
- RoHS compliant* - see [processing information](#) on lead free surface mount trimmers
- For trimmer applications/processing guidelines, [click here](#)

3313 - 3 mm Trimpot® Trimming Potentiometer

Electrical Characteristics

| | |
|------------------------------|---------------------------------|
| Standard Resistance Range | 10 ohms to 2 megohms |
| | (see standard resistance table) |
| Resistance Tolerance | ±20 % std. |
| End Resistance | 1 % or 3 ohms max. |
| | (whichever is greater) |
| Contact Resistance Variation | 3 % or 3 ohms |
| Adjustability | |
| Voltage Divider | ±0.1 % |
| Rheostat | ±0.2 % |
| Resolution | Infinite |
| Insulation Resistance | 500 vdc. |
| | 100 megohms min. |
| Dielectric Strength | |
| Sea Level | 500 vac |
| 70,000 Feet | 350 vac |
| Adjustment Angle | 220° nom. |

Environmental Characteristics

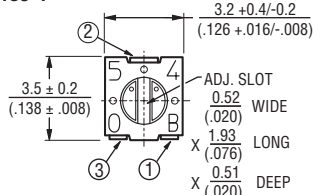
| | |
|-------------------------------|-------------------------------|
| Max. Soldering Exposure | 260 °C/5 seconds |
| Power Rating (200 volts max.) | |
| 70 °C | 0.125 watt |
| 125 °C | 0 watt |
| Operating Temp. Range | -55 °C to +125 °C |
| Temperature Coefficient | |
| ≤100 ohms | ±150 ppm/°C; |
| >100 ohms | ±100 ppm/°C |
| Seal Test | 85 °C Fluorinert† |
| Humidity | MIL-STD 202, Method 106 |
| | (no vibration) TRS ±3 %; |
| | IR 10 megohms |
| Vibration | 20 G TRS ±1 %; VRS ±1 % |
| Shock | 100 G TRS ±1 %; VRS ±1 % |
| Load Life | 1000 hours |
| | @ 70 °C Rated Power; TRS ±3 % |
| Rotational Life | 100 cycles TRS ±3 % |
| Thermal Shock | 5 cycles |
| | TRS ±2 %; VRS ±1 % |

Physical Characteristics

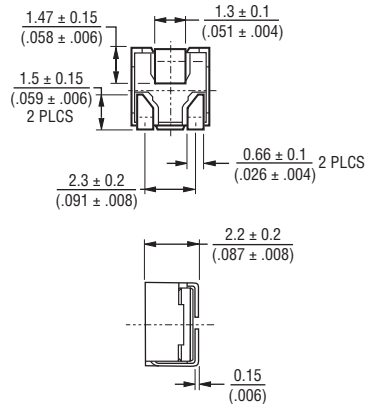
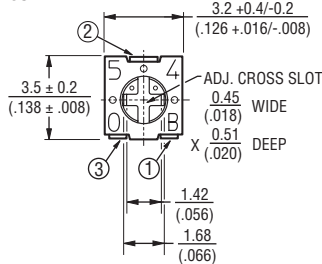
| | |
|------------------------------|---------------------------------|
| Mechanical Angle | 250 ° nom. |
| Torque | 50 g-cm max. |
| Stop Strength | 200 g-cm min. |
| Pushover Strength ("S" only) | |
| | 1.6 Kilograms (3.5 lbs) minimum |
| Flammability | U.L. 94V-0 |
| Weight | Approx. 0.01 oz. |
| Marking | Resistance code and date code |
| Wiper | 50 % (Actual TR) ±10 % |
| Standard Packaging | |
| J Style | 1000 pcs./7 " reel |
| S Style | 200 pcs./7 " reel |
| Adjustment Tool | H-91 |

Product Dimensions

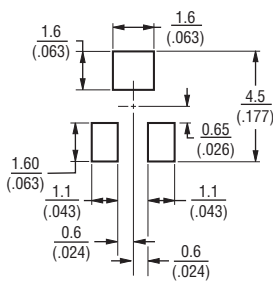
3313J-1



3313J-2



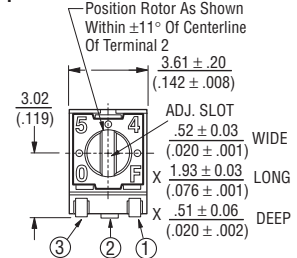
RECOMMENDED LAND PATTERN



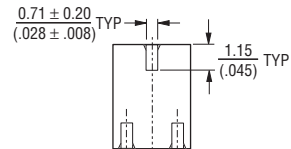
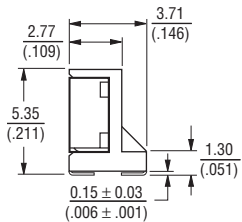
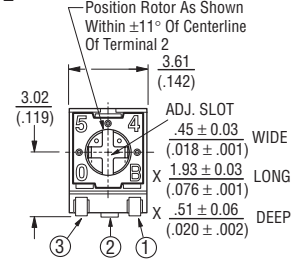
DIMENSIONS: $\frac{\text{MM}}{\text{(INCHES)}}$

TOLERANCES: $\pm \frac{0.25}{(0.010)}$ EXCEPT WHERE NOTED

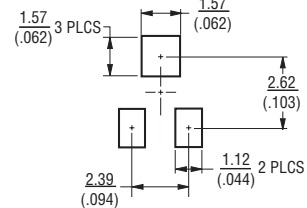
3313S-1



3313S-2



RECOMMENDED LAND PATTERN

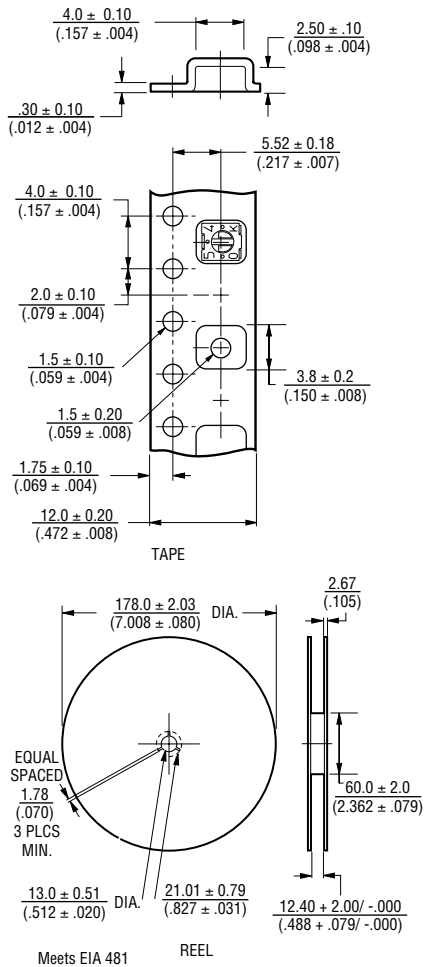


*RoHS Directive 2002/95/EC Jan 27 2003 including Annex.
 †"Fluorinert" is a registered trademark of 3M Co.
 Specifications are subject to change without notice.
 Customers should verify actual device performance in their specific applications.

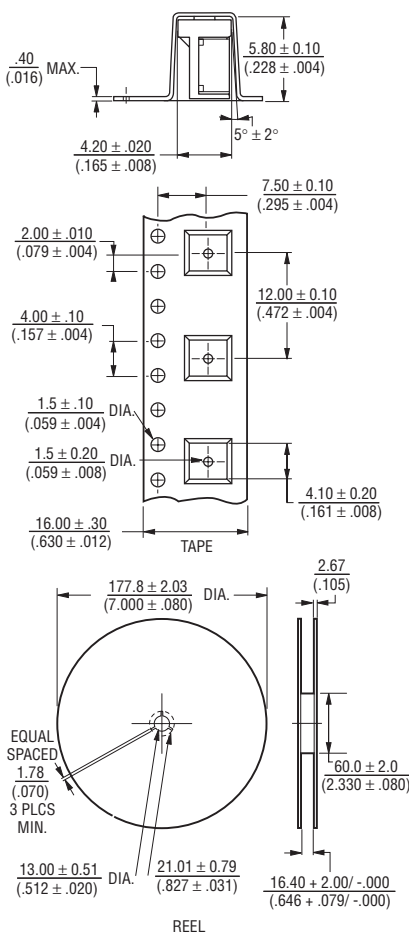
3313 - 3 mm Trimpot® Trimming Potentiometer

BOURNS®

3313J Packaging Specifications



3313S Packaging Specifications



Standard Resistance Table

| Resistance (Ohms) | Part Marking Code | Resistance Code |
|-------------------|-------------------|-----------------|
| 10 | A1 | 100 |
| 20 | 21 | 200 |
| 50 | 51 | 500 |
| 100 | A2 | 101 |
| 200 | 22 | 201 |
| 500 | 52 | 501 |
| 1,000 | A3 | 102 |
| 2,000 | 23 | 202 |
| 5,000 | 53 | 502 |
| 10,000 | A4 | 103 |
| 20,000 | 24 | 203 |
| 50,000 | 54 | 503 |
| 100,000 | A5 | 104 |
| 200,000 | 25 | 204 |
| 500,000 | 55 | 504 |
| 1,000,000 | A6 | 105 |
| 2,000,000 | 26 | 205 |

Popular distribution resistance values listed in boldface. Special resistances available.

How To Order

3313 J - 1 - 502 E

Model _____

Style _____

Standard or Modified _____

Product Indicator _____
 -1 = Single Slot
 -2 = Cross Slot

Resistance Code _____

Embossed Tape _____
 1000 pcs. / 7" Reel (J Style)
 200 pcs. / 7" Reel (S Style)

DIMENSIONS: $\frac{\text{MM}}{\text{(INCHES)}}$

TOLERANCES: ± $\frac{0.25}{(.010)}$ EXCEPT WHERE NOTED

REV. 08/10

"Trimpot" is a registered trademark of Bourns, Inc. Specifications are subject to change without notice. Customers should verify actual device performance in their specific applications.