

## Features

- Multiturn / Wirewound / Sealed
- Listed on the QPL for style RT22 per MIL-R-27208 and RTR22 per High-Rel MIL-R-39015
- Panel mount option available
- RoHS compliant\*

■ For trimmer applications/processing guidelines, [click here](#)

## 3250 - 1/2 " Square Trimpot® Trimming Potentiometer

### Electrical Characteristics

Standard Resistance Range ..... 10 to 50K ohms  
 (see standard resistance table)  
 Resistance Tolerance ..... ±5 % std.  
 (tighter tolerance available)  
 Absolute Minimum Resistance ..... 0.1 % or 1 ohm max.  
 (whichever is greater)  
 Noise ..... 100 ohms ENR max.  
 Resolution ..... See Resistance Table  
 Insulation Resistance ..... 500 vdc.  
 1,000 megohms min.  
 Dielectric Strength  
 Sea Level..... 1,000 vac  
 80,000 Feet ..... 400 vac  
 Adjustment Travel.....25 turns nom.

### Environmental Characteristics

Power Rating @ 85 °C ..... 1.0 watt  
 Power Rating @ 150 °C ..... 0 watt  
 Temperature Range ... -65 °C to +150 °C  
 Temperature Coefficient ..... ±50 ppm/°C  
 Seal Test ..... 85 °C Fluorinert†  
 (pin styles only)  
 Humidity .....MIL-STD-202 Method 106  
 (2 % ΔTR; 100 Megohms IR)  
 Vibration ..... 30 G  
 (1 % ΔTR; 0.5 % + resolution ΔVR)  
 Shock ..... 100 G  
 (1 % ΔTR; 0.5 % + resolution ΔVR)  
 Load Life  
 ..... 1,000 hours 1.0 watt @ 85 °C  
 (2 % ΔTR; 500 ohms ENR)  
 Rotational Life .....200 cycles  
 (2 % ΔTR; 500 ohms ENR)

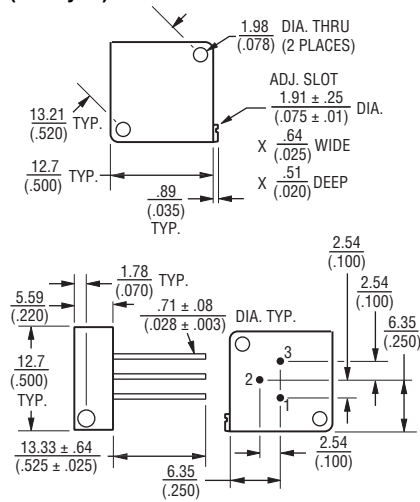
### Physical Characteristics

Torque..... 5.0 oz-in. max.  
 Mechanical Stops..... Wiper idles  
 Terminals ..Solderable printed circuit pins  
 Flexible leads (7 strands of 30 AWG)  
 Weight ..... 0.06 oz.  
 Machine Screw Mounting  
 Torque ..... 12 oz-in. max.  
 Marking.....Manufacturer's trademark,  
 resistance code, terminal numbers,  
 date code, manufacturer's model  
 number and style  
 Wiper ..... 50 % (Actual TR) ±10 %  
 Flammability ..... U.L. 94V-0  
 Standard Packaging  
 P&W Styles .....25 pcs. per tube  
 L Style .....25 pcs. per bag  
 Adjustment Tool..... H-90

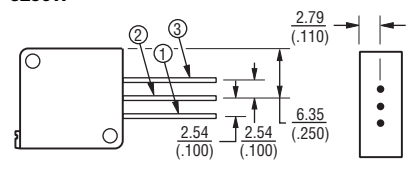
### Product Dimensions

#### 3250P

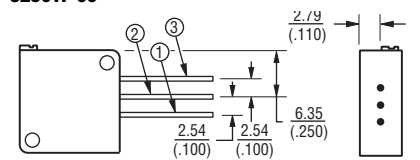
#### Common Dimensions (Pin Styles)



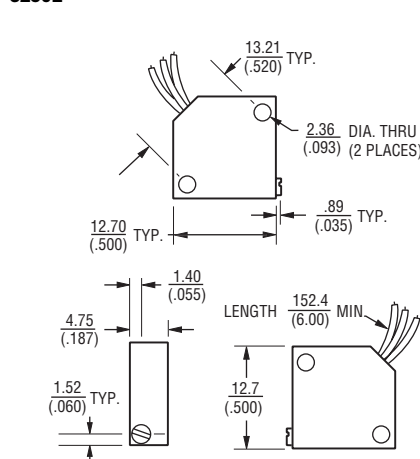
#### 3250W



#### 3250W-66



#### 3250L



### How To Order

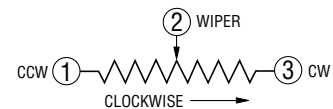
**3250 L - 1 - 103 M**

Model \_\_\_\_\_  
 Style \_\_\_\_\_  
 Standard or Modified \_\_\_\_\_  
 Product Indicator \_\_\_\_\_  
 -1 = Standard Product  
 Resistance Code \_\_\_\_\_  
 Optional Suffix Letter \_\_\_\_\_  
 M = Panel Mount  
 (Factory Installed)  
 Consult factory for other available options.

### Standard Resistance Table

Resistance (Ohms)	Resistance Code	Nominal Resolution (Percent)
10	100	1.30
20	200	1.00
50	500	0.80
<b>100</b>	<b>101</b>	<b>0.90</b>
<b>200</b>	<b>201</b>	<b>0.70</b>
<b>500</b>	<b>501</b>	<b>0.60</b>
<b>1,000</b>	<b>102</b>	<b>0.40</b>
<b>2,000</b>	<b>202</b>	<b>0.30</b>
<b>5,000</b>	<b>502</b>	<b>0.25</b>
<b>10,000</b>	<b>103</b>	<b>0.19</b>
<b>20,000</b>	<b>203</b>	<b>0.16</b>
25,000	253	0.14
50,000	503	0.13

Popular values listed in boldface. Special resistances available.



DIMENSIONS:  $\frac{\text{MM}}{\text{(INCHES)}}$   
 TOLERANCES: ±  $\frac{0.25}{(.010)}$  EXCEPT WHERE NOTED

REV. 08/10

\*RoHS Directive 2002/95/EC Jan 27 2003 including Annex.  
 "Trimpot" is a registered trademark of Bourns, Inc.  
 †"Fluorinert" is a registered trademark of 3M Co.  
 Specifications are subject to change without notice.

Customers should verify actual device performance in their specific applications.