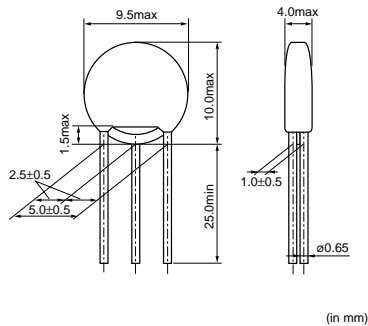


Lead EMIFIL® Capacitor Type Heavy-duty Type

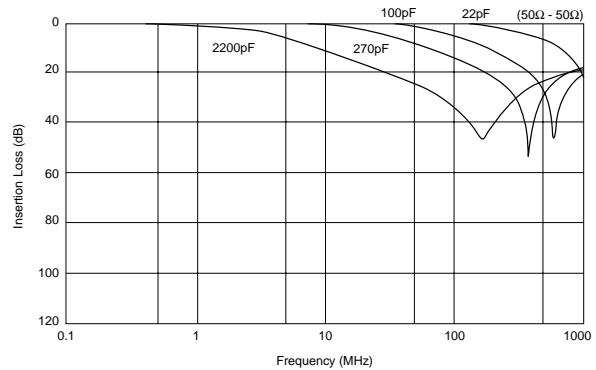
DSN9H/DSS9H/DST9H Series

DSN9H Series

Dimension



IL of Main Items



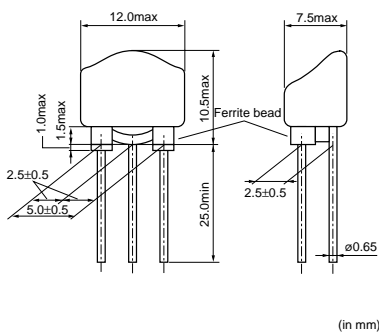
Rated Value (□: lead type/packaging code)

| Part Number | Capacitance | Rated Current | Rated Voltage | Operating Temperature Range |
|---------------|----------------|---------------|---------------|-----------------------------|
| DSN9HB32E220□ | 22pF+20%-20% | 6A | 250Vdc | -40°C to +105°C |
| DSN9HB32E101□ | 100pF+20%-20% | 6A | 250Vdc | -40°C to +105°C |
| DSN9HB32E271□ | 270pF+20%-20% | 6A | 250Vdc | -40°C to +105°C |
| DSN9HB32E222□ | 2200pF+20%-20% | 6A | 250Vdc | -40°C to +105°C |

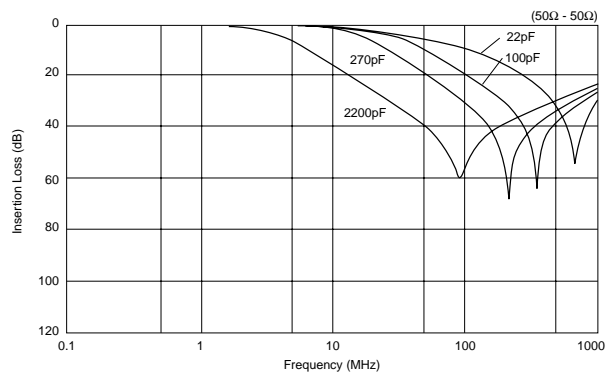
Diameter of Lead is 0.6mm for taping type. Taping type is three terminal in line arrangement.

DSS9H Series

Dimension



IL of Main Items



Continued on the following page.

● This data sheet is applied for Lead EMIFIL® Capacitor Type used for General Electronics equipment for your design.

Note:

1. This datasheet is downloaded from the website of Murata Manufacturing co., Ltd. Therefore, it's specifications are subject to change or our products in it may be discontinued without advance notice. Please check with our sales representatives or product engineers before ordering.
2. This datasheet has only typical specifications because there is no space for detailed specifications. Therefore, please approve our product specifications or transact the approval sheet for product specifications before ordering.

 Continued from the preceding page.

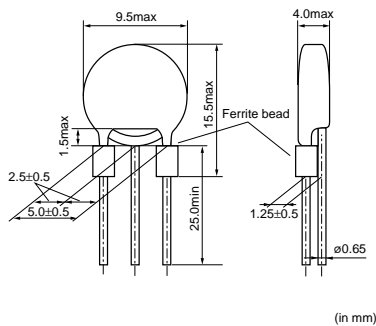
■ Rated Value (□: lead type/package code)

| Part Number | Capacitance | Rated Current | Rated Voltage | Operating Temperature Range |
|---------------|----------------|---------------|---------------|-----------------------------|
| DSS9HB32E220□ | 22pF+20%-20% | 6A | 250Vdc | -40°C to +105°C |
| DSS9HB32E101□ | 100pF+20%-20% | 6A | 250Vdc | -40°C to +105°C |
| DSS9HB32E271□ | 270pF+20%-20% | 6A | 250Vdc | -40°C to +105°C |
| DSS9HB32E222□ | 2200pF+20%-20% | 6A | 250Vdc | -40°C to +105°C |

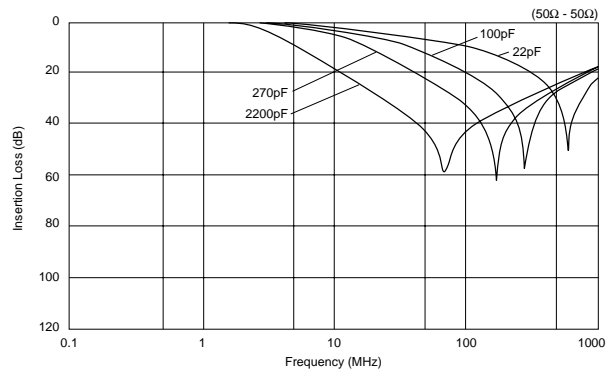
Diameter of Lead is 0.6mm for taping type. Taping type is three terminal in line arrangement.

DST9H Series

■ Dimension




■ IL of Main Items



■ Rated Value (□: lead type/package code)

| Part Number | Capacitance | Rated Current | Rated Voltage | Operating Temperature Range |
|---------------|----------------|---------------|---------------|-----------------------------|
| DST9HB32E220□ | 22pF+20%-20% | 6A | 250Vdc | -40°C to +105°C |
| DST9HB32E101□ | 100pF+20%-20% | 6A | 250Vdc | -40°C to +105°C |
| DST9HB32E271□ | 270pF+20%-20% | 6A | 250Vdc | -40°C to +105°C |
| DST9HB32E222□ | 2200pF+20%-20% | 6A | 250Vdc | -40°C to +105°C |

Diameter of Lead is 0.6mm for taping type. Taping type is three terminal in line arrangement.

Continued on the following page. 

● This data sheet is applied for Lead EMIFIL® Capacitor Type used for General Electronics equipment for your design.

⚠ Note:


1. This datasheet is downloaded from the website of Murata Manufacturing Co., Ltd. Therefore, its specifications are subject to change or our products in it may be discontinued without advance notice. Please check with our sales representatives or product engineers before ordering.
2. This datasheet has only typical specifications because there is no space for detailed specifications. Therefore, please approve our product specifications or transact the approval sheet for product specifications before ordering.



Murata Manufacturing Co., Ltd.

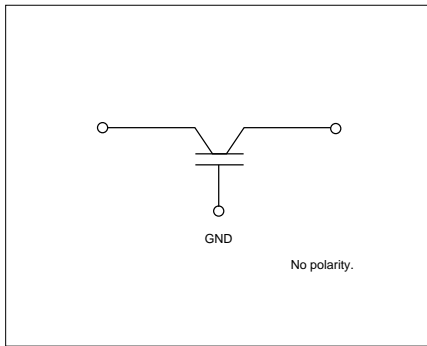
<http://www.murata.com/>

2006.11.2

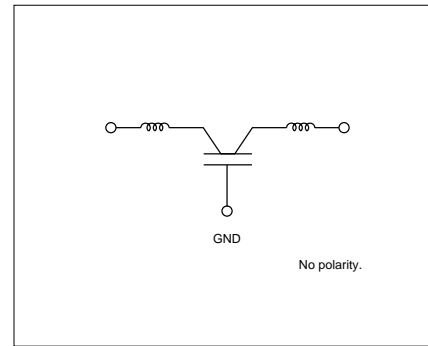
 Continued from the preceding page.

■ Equivalent circuit

DSN9H Series



DSS9H/DST9H Series



■ Packaging

● Minimum Quantity

| Part Number | Minimum Order Quantity (order in sets only) (Pcs.) | | |
|--------------------|--|-------------------|--------------------------------------|
| | Ammo Pack | ø320mm Paper reel | Bulk (Bag) |
| DSN9 Series | 2000 | — | 250 Q55 500 Q54/Q56 |
| DST9 Series | 1000 | — | 200 Q55 250 Q50/Q52 |
| DSS9 Series | — | 800 | 200 Q55 500 Q54/Q56 |

● Lead Type/Packaging

| Code | Lead Type | Lead Length* (in mm) | Packaging | Series |
|-------------|-----------|----------------------|---------------------|-----------------------|
| Q55B | Straight | 25.0 min. | Bulk | All series |
| Q50B | | 4.0±0.5 | | DST9N/H |
| Q52B | | 6.0±1.0 | | DST9N |
| Q54B | | 4.0±0.5 | | DSN6/9, DSS6/9 |
| Q56B | | 6.0±1.0 | | DSS6N |
| T41B | Incrimp | 4.0±0.5 | Paper Reel (ø320mm) | DSS9N/H |
| T51B | | 25.0 min. | | |
| Q91J | Straight | 20.0±1.0 | Ammo Pack | DS□6, DSN9N/H |
| Q92J | | 16.5±1.0 | | |
| Q93J | | 18.5±1.0 | | |
| Q91A | | 20.0±1.0 | | |
| Q92A | | 16.5±1.0 | | |
| Q93A | 18.5±1.0 | DSS6N | | |
| U21A | 16.5±1.0 | | | |
| U31A | 18.5±1.0 | | | |

*Lead Distance between Reference and Bottom Planes except Bulk.

■ ⚠ Caution (Rating)

Do not use products beyond the rated current and rated voltage as this may create excessive heat and deteriorate the insulation resistance.

● This data sheet is applied for Lead EMIFIL® Capacitor Type used for General Electronics equipment for your design.

⚠ Note:

1. This datasheet is downloaded from the website of Murata Manufacturing co., Ltd. Therefore, it's specifications are subject to change or our products in it may be discontinued without advance notice. Please check with our sales representatives or product engineers before ordering.
2. This datasheet has only typical specifications because there is no space for detailed specifications. Therefore, please approve our product specifications or transact the approval sheet for product specifications before ordering.