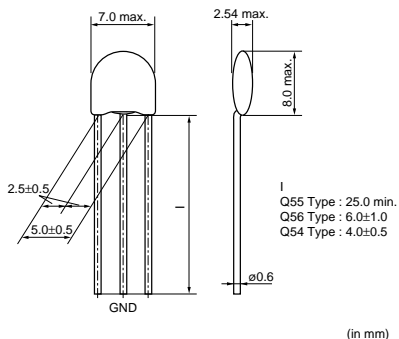


# Lead EMIFIL® Capacitor Type for General Small Type

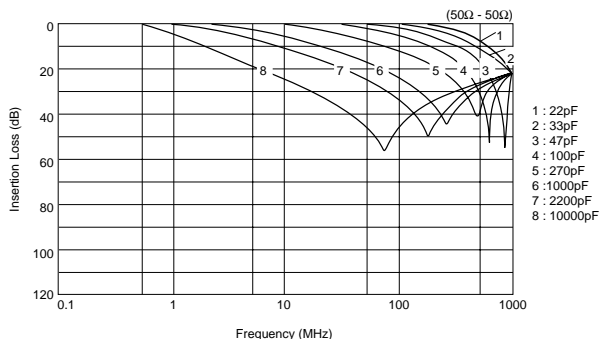
## DSN6/DSS6 Series

### DSN6 Series

#### Dimension



#### IL of Main Items

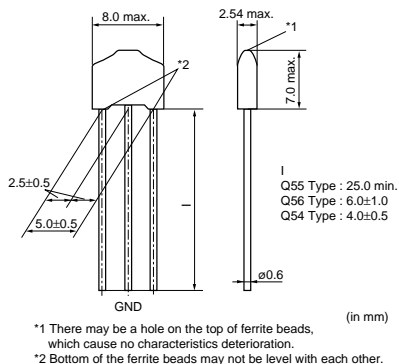


#### Rated Value (□: lead type/packaging code)

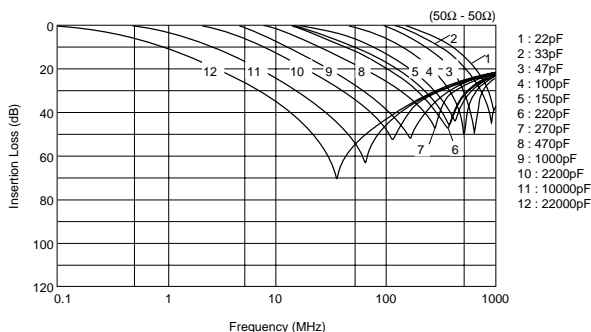
Part Number	Capacitance	Rated Current	Rated Voltage	Operating Temperature Range
DSN6NC51H220□	22pF+20%-20%	6A	50Vdc	-25°C to +85°C
DSN6NC51H330□	33pF+20%-20%	6A	50Vdc	-25°C to +85°C
DSN6NC51H470□	47pF+20%-20%	6A	50Vdc	-25°C to +85°C
DSN6NC51H101□	100pF+20%-20%	6A	50Vdc	-25°C to +85°C
DSN6NC51H271□	270pF+20%-20%	6A	50Vdc	-25°C to +85°C
DSN6NC51H102□	1000pF+20%-20%	6A	50Vdc	-25°C to +85°C
DSN6NC51H222□	2200pF+20%-20%	6A	50Vdc	-25°C to +85°C
DSN6NZ81H103□	10000pF+80%-20%	6A	50Vdc	-25°C to +85°C

### DSS6 Series Straight Type

#### Dimension



#### IL of Main Items



Continued on the following page.

● This data sheet is applied for Lead EMIFIL® Capacitor Type used for General Electronics equipment for your design.

#### Note:

1. This datasheet is downloaded from the website of Murata Manufacturing co., Ltd. Therefore, it's specifications are subject to change or our products in it may be discontinued without advance notice. Please check with our sales representatives or product engineers before ordering.
2. This datasheet has only typical specifications because there is no space for detailed specifications. Therefore, please approve our product specifications or transact the approval sheet for product specifications before ordering.

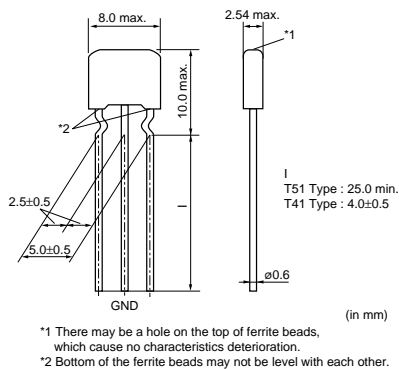
 Continued from the preceding page.

### Rated Value (□: lead type/package code)

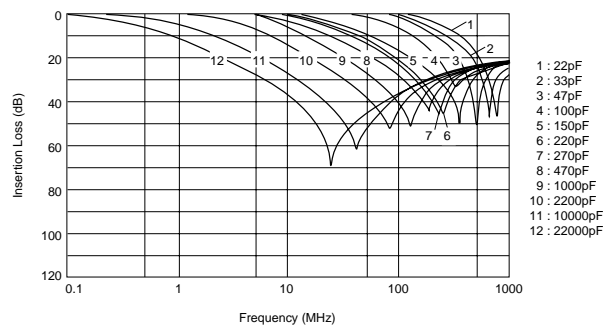
Part Number	Capacitance	Rated Current	Rated Voltage	Operating Temperature Range
DSS6NC52A220□	22pF+20%-20%	6A	100Vdc	-25°C to +85°C
DSS6NC52A330□	33pF+20%-20%	6A	100Vdc	-25°C to +85°C
DSS6NC52A470□	47pF+20%-20%	6A	100Vdc	-25°C to +85°C
DSS6NC52A101□	100pF+20%-20%	6A	100Vdc	-25°C to +85°C
DSS6NC52A151□	150pF+20%-20%	6A	100Vdc	-25°C to +85°C
DSS6NC52A221□	220pF+20%-20%	6A	100Vdc	-25°C to +85°C
DSS6NC52A271□	270pF+20%-20%	6A	100Vdc	-25°C to +85°C
DSS6NC52A471□	470pF+20%-20%	6A	100Vdc	-25°C to +85°C
DSS6NC52A102□	1000pF+20%-20%	6A	100Vdc	-25°C to +85°C
DSS6NE52A222□	2200pF+80%-20%	6A	100Vdc	-25°C to +85°C
DSS6NZ82A103□	10000pF+30%-30%	6A	100Vdc	-25°C to +85°C
DSS6NF31C223□	22000pF+80%-20%	6A	16Vdc	-25°C to +85°C

### DSS6 Series Incrimp Type

#### Dimension




#### IL of Main Items



### Rated Value (□: lead type/package code)

Part Number	Capacitance	Rated Current	Rated Voltage	Operating Temperature Range
DSS6NC52A220□	22pF+20%-20%	6A	100Vdc	-25°C to +85°C
DSS6NC52A330□	33pF+20%-20%	6A	100Vdc	-25°C to +85°C
DSS6NC52A470□	47pF+20%-20%	6A	100Vdc	-25°C to +85°C
DSS6NC52A101□	100pF+20%-20%	6A	100Vdc	-25°C to +85°C
DSS6NC52A151□	150pF+20%-20%	6A	100Vdc	-25°C to +85°C
DSS6NC52A221□	220pF+20%-20%	6A	100Vdc	-25°C to +85°C
DSS6NC52A271□	270pF+20%-20%	6A	100Vdc	-25°C to +85°C
DSS6NC52A471□	470pF+20%-20%	6A	100Vdc	-25°C to +85°C
DSS6NC52A102□	1000pF+20%-20%	6A	100Vdc	-25°C to +85°C
DSS6NE52A222□	2200pF+80%-20%	6A	100Vdc	-25°C to +85°C
DSS6NZ82A103□	10000pF+30%-30%	6A	100Vdc	-25°C to +85°C

Continued on the following page. 

● This data sheet is applied for Lead EMIFIL® Capacitor Type used for General Electronics equipment for your design.

#### Note:


- This datasheet is downloaded from the website of Murata Manufacturing Co., Ltd. Therefore, its specifications are subject to change or our products in it may be discontinued without advance notice. Please check with our sales representatives or product engineers before ordering.
- This datasheet has only typical specifications because there is no space for detailed specifications. Therefore, please approve our product specifications or transact the approval sheet for product specifications before ordering.



Murata Manufacturing Co., Ltd.

<http://www.murata.com/>

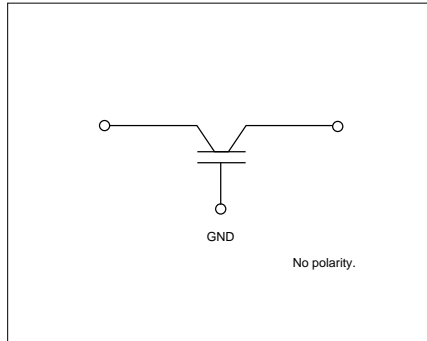
2006.11.2

 Continued from the preceding page.

Part Number	Capacitance	Rated Current	Rated Voltage	Operating Temperature Range
DSS6NF31C223□	22000pF+80%-20%	6A	16Vdc	-25°C to +85°C

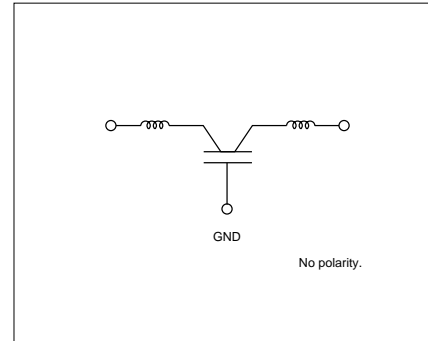
### ■ Equivalent circuit

DSN6 Series



### ■ Equivalent circuit

DSS6 Series



### ■ Packaging

#### ● Minimum Quantity

Part Number	Minimum Order Quantity (order in sets only) (Pcs.)		
	Ammo Pack	ø320mm Paper reel	Bulk (Bag)
DS□6 Series	2000	—	250 Q55/T51 500 Q54/Q56/T41

#### ● Lead Type/Packaging

Code	Lead Type	Lead Length* (in mm)	Packaging	Series
Q55B	Straight	25.0 min.	Bulk	All series
Q50B		4.0±0.5		DST9N/H
Q52B		6.0±1.0		DST9N
Q54B		4.0±0.5		DSN6/9, DSS6/9
Q56B		6.0±1.0		DSS6N
T41B	Incrimp	4.0±0.5	Paper Reel (ø320mm)	DSS9N/H
T51B		25.0 min.		
Q91J	Straight	20.0±1.0	Ammo Pack	DS□6, DSN9N/H
Q92J		16.5±1.0		
Q93J		18.5±1.0		
Q91A		20.0±1.0		
Q92A		16.5±1.0		
Q93A	18.5±1.0	All series except DSS9N/H		
U21A	Incrimp	16.5±1.0	Ammo Pack	DSS6N
U31A		18.5±1.0		

\*Lead Distance between Reference and Bottom Planes except Bulk.

### ■ ⚠ Caution (Rating)

Do not use products beyond the rated current and rated voltage as this may create excessive heat and deteriorate the insulation resistance.

● This data sheet is applied for Lead EMIFIL® Capacitor Type used for General Electronics equipment for your design.

#### ⚠ Note:

- This datasheet is downloaded from the website of Murata Manufacturing co., Ltd. Therefore, it's specifications are subject to change or our products in it may be discontinued without advance notice. Please check with our sales representatives or product engineers before ordering.
- This datasheet has only typical specifications because there is no space for detailed specifications. Therefore, please approve our product specifications or transact the approval sheet for product specifications before ordering.