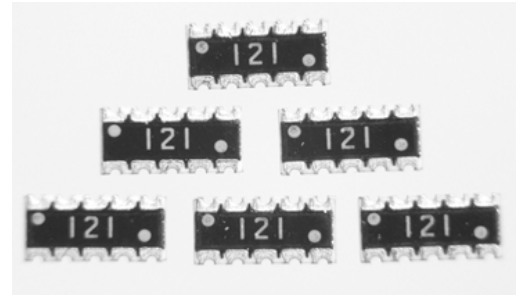
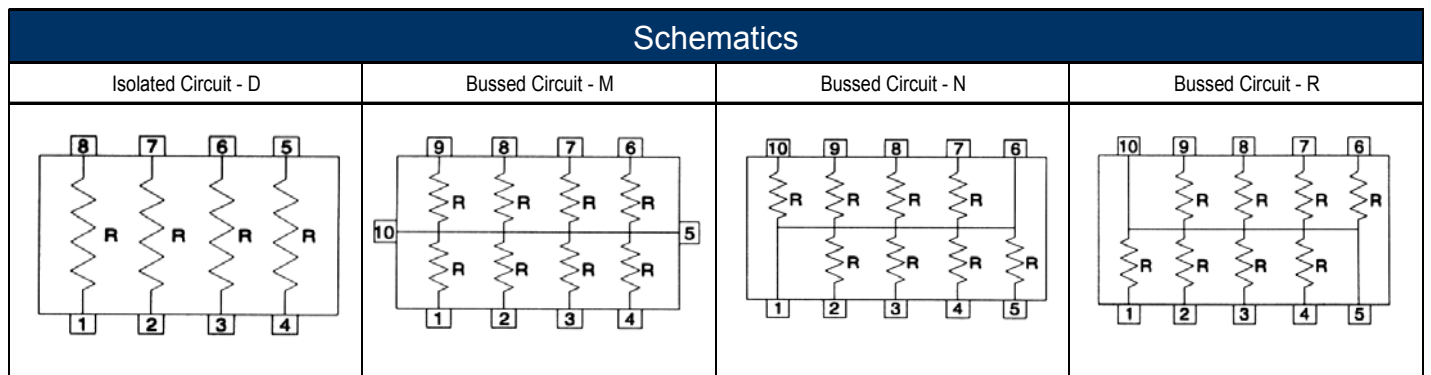


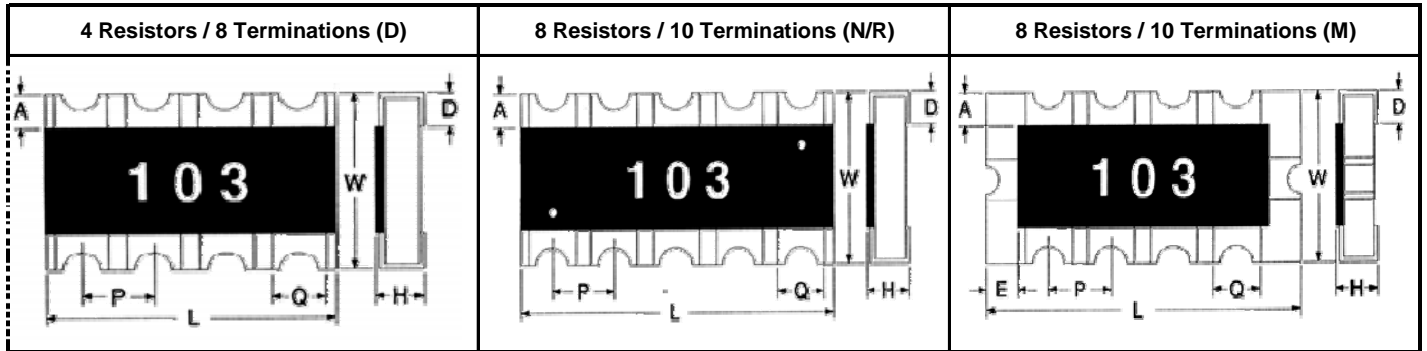
- Features:
- Thick film resistor element
 - Zero ohm available
 - Auto-placement capability
 - Multiple circuit types available
 - Ideal SMD substitute for leaded networks



| Electrical Specifications | | | | | | | |
|--|-----------------------------------|-----------------------------|--------------------------|------------------------------------|-------------------------------|---------|---------|
| Type / Code / # of Elements / Circuit Type | Power Rating (per element) @ 70°C | Maximum Working Voltage (1) | Maximum Overload Voltage | Resistance Temperature Coefficient | Ohmic Range (Ω) and Tolerance | | |
| | | | | | 1% | 2% | 5% |
| RACF 16-4D | 0.063W | 50V | 100V | ±200 ppm/°C | 1 - 1M | 1 - 10M | 1 - 10M |
| RACF 32-4D | 0.125W | 200V | 400V | ±200 ppm/°C | 22 - 1M | - | 10 - 1M |
| RACF 40-8M | 0.063W | 25V | 50V | ±200 ppm/°C | - | - | 22 - 1M |
| RACF 64-8N | 0.063W | 50V | 100V | ±200 ppm/°C | - | - | 22 - 1M |
| RACF 64-8R | 0.063W | 50V | 100V | ±200 ppm/°C | - | - | 22 - 1M |

(1) Lesser of \sqrt{PR} or maximum working voltage.
 Operating Temperature: RACF 16-4D: -55°C to +155°C
 All other types: -55°C to +125°C

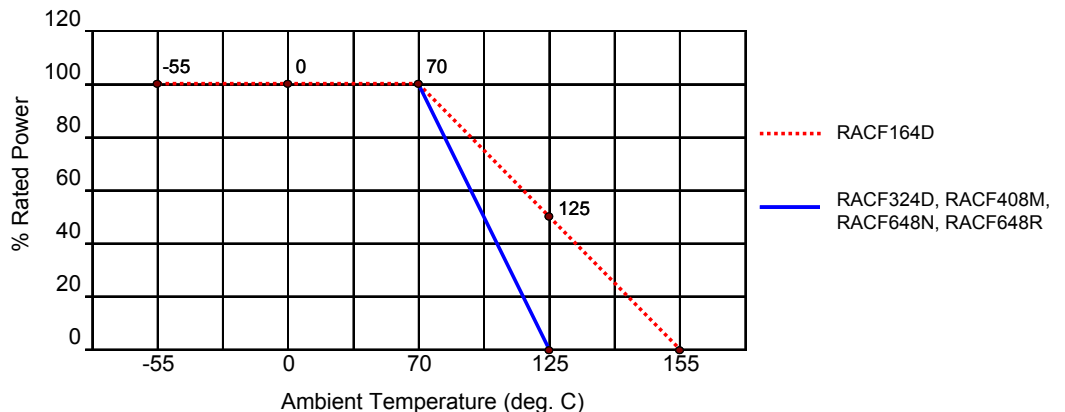




| Mechanical Specifications | | | | | | | | | |
|--|------------------------------|------------------------------|------------------------------|-------------------|------------------------------|------------------------------|------------------------------|------------------------------|--------------|
| Type / Code / # of Elements / Circuit Type | L Body Length | W Body Width | H Body Height | P Element Spacing | Q Termination Width | D Bottom Termination | A Top Termination | E End Termination | Units |
| RACF 16-4D | 0.126 ± 0.008 3.20 ± 0.20 | 0.063 ± 0.006 1.60 ± 0.15 | 0.024 ± 0.006 0.60 ± 0.15 | 0.031 0.80 | 0.016 ± 0.008 0.40 ± 0.2 | 0.016 ± 0.008 0.40 ± 0.20 | 0.012 ± 0.008 0.30 ± 0.20 | - | inches mm |
| RACF 32-4D | 0.200 ± 0.008 5.08 ± 0.20 | 0.118 ± 0.008 3.00 ± 0.20 | 0.024 ± 0.004 0.60 ± 0.10 | 0.050 1.27 | 0.031 ± 0.004 0.80 ± 0.10 | 0.020 ± 0.008 0.50 ± 0.20 | 0.022 ± 0.008 0.55 ± 0.20 | - | inches mm |
| RACF 40-8M | 0.157 ± 0.008 4.00 ± 0.20 | 0.083 ± 0.008 2.10 ± 0.20 | 0.024 ± 0.004 0.60 ± 0.10 | 0.031 0.80 | 0.020 ± 0.008 0.50 ± 0.20 | 0.016 ± 0.008 0.40 ± 0.20 | 0.010 ± 0.008 0.25 ± 0.20 | 0.012 ± 0.008 0.30 ± 0.20 | inches mm |
| RACF 64-8N | 0.252 ± 0.008 6.40 ± 0.20 | 0.122 ± 0.008 3.10 ± 0.20 | 0.024 ± 0.004 0.60 ± 0.10 | 0.050 1.27 | 0.028 ± 0.008 0.70 ± 0.20 | 0.020 ± 0.008 0.50 ± 0.20 | 0.014 ± 0.006 0.35 ± 0.15 | - | inches mm |
| RACF 64-8R | 0.252 ± 0.008 6.40 ± 0.20 | 0.122 ± 0.008 3.10 ± 0.20 | 0.024 ± 0.004 0.60 ± 0.10 | 0.050 1.27 | 0.028 ± 0.008 0.70 ± 0.20 | 0.020 ± 0.008 0.50 ± 0.20 | 0.014 ± 0.006 0.35 ± 0.15 | - | inches mm |

| Performance Characteristics | |
|------------------------------|---------------------------|
| Test | Test Results (JIS C 5202) |
| Load Life in Moisture | ±3% |
| Temperature cycle | ±1% |
| Load Life | ±3% |
| Resistance to Soldering heat | ±1% |
| Terminal Adhesion | ±1% |
| Short Time Overload | ±2% |

Power Derating Curve:



How to Order

| SEI Type | | Code | Number of Elements | Circuit Type | Nominal Resistance | Tolerance | Packaging | | | |
|------------|-------------|-----------|--------------------|--------------|--------------------|-----------|------------|---------|-----------------------|------|
| RAC | | 16 | 4 | D | 10K | 5% | R | | | |
| Type | Description | Code | Elements | Circuit Type | Tolerance | | Types | Pkg Qty | Description | Code |
| RAC | Standard | 16 | 4 | D = Isolated | 1% | E24 | 16 | 5,000 | paper tape and reel | R |
| RACF | RoHS | 32 | 8 | M = Bussed | 2% | E24 | 32, 40, 64 | 4,000 | plastic tape and reel | |
| | | 40 | | N = Bussed | 5% | E24 | | | | |
| | | 64 | | R = Bussed | | | | | | |

New part number format starting January 3rd, 2011:

How to Order

| 1 | 2 | 3 | 4 | 5 | 6 | 7 | 8 | 9 | 10 | 11 | 12 | 13 | 14 |
|----------------|--------------|------|--------|-----------|-----|-----------|---------------------|------------|----------|---|---------------|----|----|
| R | A | C | F | 1 | 6 | 4 | D | J | T | 1 | 0 | K | 0 |
| Product Series | | Code | Power | Tolerance | | Packaging | | | | Resistance Value | | | |
| RACF | Concave RoHS | 164D | 0.063W | Code | Tol | Code | Description | Size | Quantity | Four characters with the multiplier used as the decimal holder. | | | |
| | | 324D | 0.125W | F | 1% | T | reel - paper tape | 164D | 5,000 | 1 ohm = 1R00 | | | |
| | | 408M | 0.063W | G | 2% | | reel - plastic tape | 324D, 408M | 4,000 | 100 Kohm = 100K | | | |
| | | 648N | 0.063W | J | 5% | | | 648N, 648R | | | 1 Mohm = 1M00 | | |
| | | 648R | 0.063W | | | | | | | | | | |

D = Isolated
M, N, R = Bussed