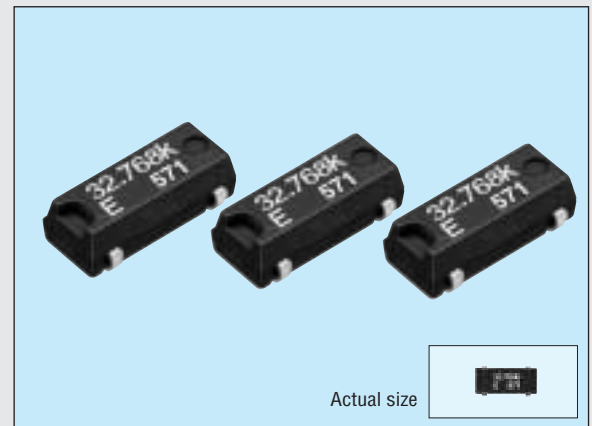


SMALL SMD LOW / MEDIUM-FREQUENCY CRYSTAL UNIT

MC-306

Product number (please refer to page 1)
Q1xMC306xxxxx00

- High-density mounting-type SMD.
- Photolithography finished allows uniform and stable performance.
- Excellent reliability and environmental capability.

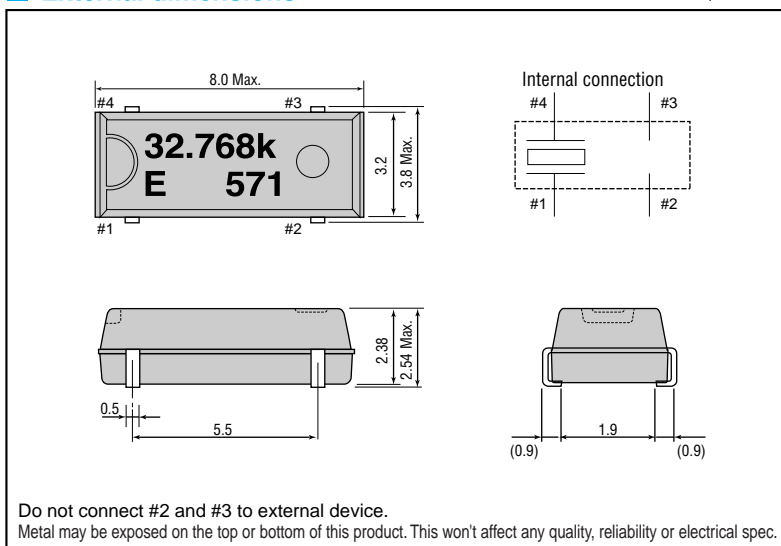


Specifications (characteristics)

Item		Symbol	Specifications		Remarks
Nominal frequency		f	32.768 kHz	20.000 kHz to 165.000 kHz	
Temperature range	Storage temperature	T _{STG}	-55 °C to +125 °C		Stored as bare product after unpacking
	Operating temperature	T _{OPR}	-40 °C to +85 °C		
Maximum drive level		GL	1.0 μW Max.		
Frequency tolerance (standard)		Δf/f	±20 x 10 ⁻⁶ , ±50 x 10 ⁻⁶	±50 x 10 ⁻⁶ , ±100 x 10 ⁻⁶	Ta=+25 °C, DL=0.1 μW
Peak temperature (frequency)		θT	+25 °C ±5 °C		
Temperature coefficient (frequency)		a	-0.04 x 10 ⁻⁶ / °C ² Max.		
Load capacitance		C _L	6 pF to ∞ (Standard : 12.5 pF)		Please specify
Series resistance		R ₁	50 kΩ Max.	55 kΩ to 10 kΩ	For details, refer to page 13
Motional capacitance		C ₁	1.8 fF Typ.	4.0 fF to 0.6 fF	
Shunt capacitance		C ₀	0.9 pF Typ.	2.0 pF to 0.6 pF	
Insulation resistance		IR	500 MΩ Min.		
Aging		fa	±3 x 10 ⁻⁶ /year Max.	±5 x 10 ⁻⁶ /year Max.	Ta=+25 °C ±3 °C, first year
Shock resistance		S.R.	±5 x 10 ⁻⁶ Max.		Three drops on a hard board from 750 mm or excitation test with 29400 m/s ² x 0.3 ms x 1/2 sine wave x 3 directions

External dimensions

(Unit: mm)



Recommended soldering pattern

(Unit: mm)

