

## 3-terminal Filters(SMD) For Wide-band

Conformity to RoHS Directive

### MEM Series MEM2012TC Type

#### FEATURES

- Multilayer chip EMC filter utilizing a T-type circuit.
- Entirely monolithic structure results in high reliability.
- Due to closed magnetic circuit architecture, high-density installation becomes possible, and crosstalk generation is prevented.
- Steep attenuation characteristic plot. Highly effective noise suppression.
- Covers a wide range of frequencies.
- MEM2012TC combines a bead inductor with a through-type capacitor.

#### APPLICATIONS

Computer and computer peripherals, VCRs, TVs, car audio equipment, printers, game machines, etc.

#### TEMPERATURE RANGES

|                   |              |
|-------------------|--------------|
| Operating/Storage | -40 to +85°C |
|-------------------|--------------|

#### PRODUCT IDENTIFICATION

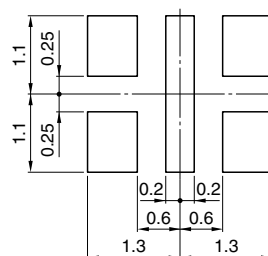
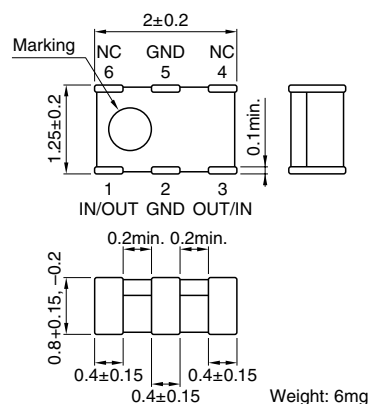
|     |      |     |      |     |
|-----|------|-----|------|-----|
| MEM | 2012 | T   | C100 | T   |
| (1) | (2)  | (3) | (4)  | (5) |

- (1)Series name  
 (2)Dimensions L×W  
 (3)T-type circuit  
 (4)Capacitance C100:10pF at 1MHz  
 (5)Packaging style T:Taping

#### PACKAGING STYLE AND QUANTITIES

| Packaging style | Quantity         |
|-----------------|------------------|
| Taping          | 4000 pieces/reel |

#### SHAPES AND DIMENSIONS/RECOMMENDED PC BOARD PATTERN



Dimensions in mm

#### ELECTRICAL CHARACTERISTICS

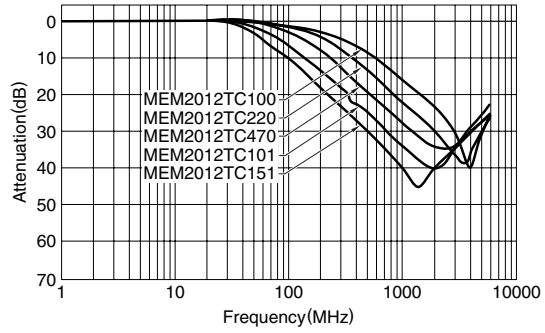
| Part No.     | Capacitance* (pF) | Tolerance (%) | Rated voltage Edc(V)max. | Rated current Idc(A)max. | DC resistance (Ω) max. [Terminal No.1 to 3] |
|--------------|-------------------|---------------|--------------------------|--------------------------|---|
| MEM2012TC100 | 10                | ±30           | 12                       | 1                        | 0.12  |
| MEM2012TC220 | 22                | ±30           | 12                       | 1                        | 0.12  |
| MEM2012TC470 | 47                | ±30           | 12                       | 1                        | 0.12  |
| MEM2012TC101 | 100               | ±30           | 12                       | 1                        | 0.12  |
| MEM2012TC151 | 150               | ±30           | 12                       | 1                        | 0.12  |

\*Measuring frequency: 1(MHz), measuring voltage: 1(V)

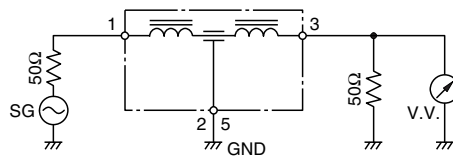
- Conformity to RoHS Directive: This means that, in conformity with EU Directive 2002/95/EC, lead, cadmium, mercury, hexavalent chromium, and specific bromine-based flame retardants, PBB and PBDE, have not been used, except for exempted applications.
- Please contact our Sales office when your application are considered the following:  
The device's failure or malfunction may directly endanger human life (e.g. application for automobile/aircraft/medical/nuclear power devices, etc.)

• All specifications are subject to change without notice.

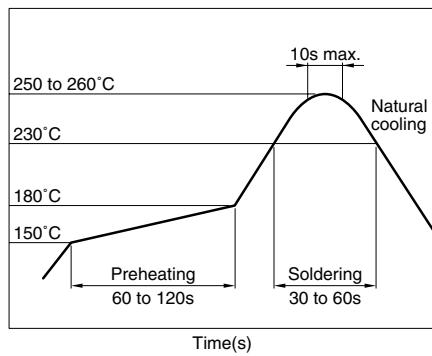
### TYPICAL ELECTRICAL CHARACTERISTICS ATTENUATION vs. FREQUENCY CHARACTERISTICS



### MEASURING CIRCUIT



### RECOMMENDED SOLDERING CONDITION REFLOW SOLDERING



• All specifications are subject to change without notice.