

Marketing Bulletin

DATE: July 28th, 2006
TO: All Sales Personnel
FROM: Isaac Gonzalez
RE: Product Termination

To all concerned parties,

This bulletin is to notify all customers of the discontinuation of the following Ecliptek series effective July 28th, 2006:

Series	Description	Recommended Replacement
ECPSM29T	SMD Watch Crystal	E1WS Series

In compliance with our End of Life (EOL) policy, this will serve as advanced notice of product termination. New orders will not be accepted after April 30th, 2007, with delivery to conclude by July 31st, 2007.

If there are any questions pertaining to this bulletin, please feel free to contact me. Thank you again for your cooperation.

Best Regards,



Isaac Gonzalez
Configuration Manager
Ecliptek Corporation

PART NUMBERING GUIDE

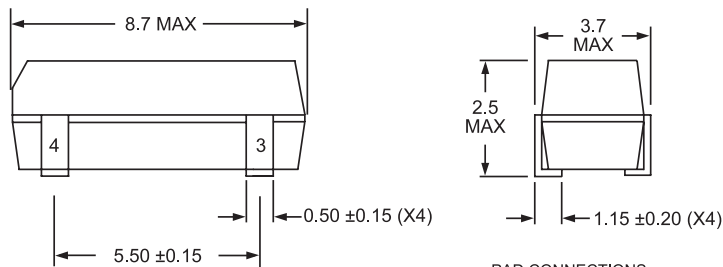
ECPSM29T - 32.768K TR

PACKAGE OPTIONS

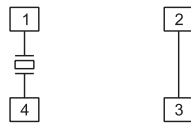
Blank=Bulk, TR=Tape and Reel

NOTES

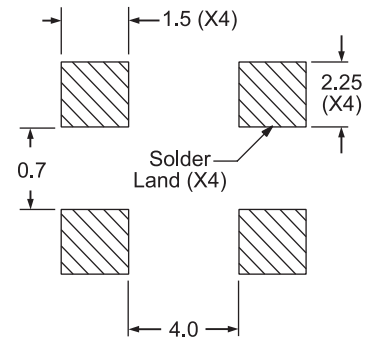
MECHANICAL DIMENSIONS ALL DIMENSIONS IN MILLIMETERS



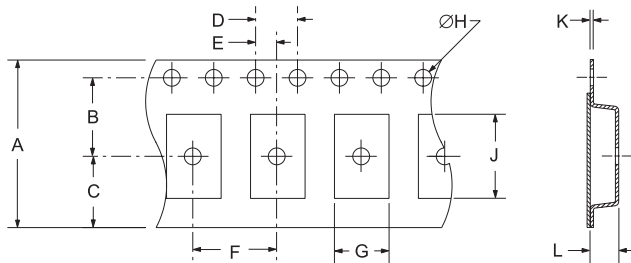
PAD CONNECTIONS



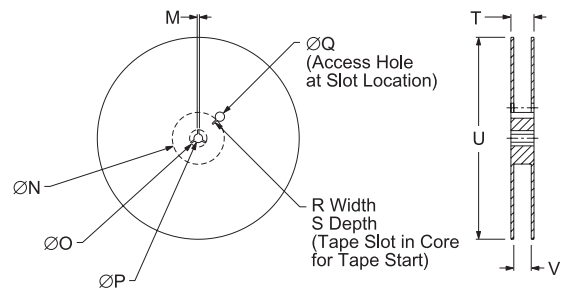
SUGGESTED SOLDER PAD LAYOUTS ALL DIMENSIONS IN MILLIMETERS



TAPE AND REEL DIMENSIONS ALL DIMENSIONS IN MILLIMETERS

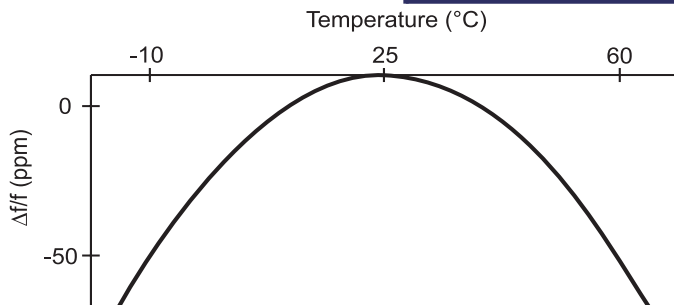


TAPE	A	B	C	D	E	
	16±.3	7.5±.1	6.75±.1	4±.2	2±.1	
	F	G	H	J	K	L
	8±.2	4.35±.1	1.5+-.2-.1	10.7±.2	.5±.05	3.7±.2



REEL	M	N	O	P	Q
	1.5 MIN	50 MIN	20.2 MIN	13±.2	40 MIN
	R	S	T	U	V
	2.5 MIN	10 MIN	22.4 MAX	360 MAX	16.4+2-0
					QTY/REEL
					3,000

PARABOLIC TEMPERATURE CURVE



MARKING SPECIFICATIONS

Line 1: 32K XXXX
 Lot Identifier (4 or 5 Characters)
 Frequency Code
 32K or C2K

MANUFACTURER
ECLIPTEK CORP.

CATEGORY
CRYSTAL

SERIES
ECPSM29T

PACKAGE
PLASTIC

CLASS
CR14

REV. DATE
05/05