

K50-CS Series Miniature SMT Crystal Clock Oscillators

Low Power Consumption

f_o : 8 to 50 MHz

Features

- 1) Miniature SMT ceramic package
- 2) Low power consumption
- 3) Frequency: 8-50MHz
- 4) Stability: 100ppm, 50ppm
- 5) Load: 15pF
- 6) Tristate output inhibit
- 7) Hermetically sealed package
- 8) 1000 pieces per reel
- 9) Sold in increments of 1000 pieces

How to Order

K50-CS 1 S E 40.0000M R

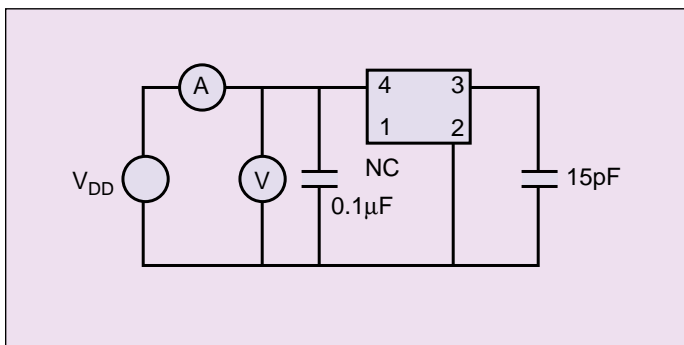
- ① ② ③ ④ ⑤ ⑥
- ① Type: (K50-CS series)
 - ② Stability: 1-100ppm, 0-50ppm
 - ③ Duty cycle: S-45/55
 - ④ Tristate o/p: E with function
 - ⑤ Frequency
 - ⑥ Packaging: R=Tape and reel



SPECIFICATIONS (K50-CS)

Parameters	Code	Rating	Unit	Remarks
Output Frequency	f_{OUT}	8 to 50	MHz	
Frequency precision	$\Delta f/f$	1=100, 0=50	ppm	-10 to 70°C, $V_{DD}=5\pm 0.5V$
Operating temp	t_{OPR}	-10 to +70	°C	
Storage temp	t_{STOR}	-55 to +125	°C	
Supply voltage	V_{DD}	5 ± 0.5	V	
Supply current	I_{DD}	30 max @ 15pF	mA	25°C, 50MHz
Duty cycle	S_Y	45/55	%	@50% V_{DD}
Output "0" level	V_{OL}	$0.1V_{CC}$ max	V	@ $I_{OL} = 4.0mA$
Output "1" level	V_{OH}	$0.9V_{CC}$ min	V	@ $I_{OH} = -4.0mA$
Rise / Fall time	T_R/T_F	10max	nS	$0.1V_{CC}-0.9V_{CC}$
Load		15max	pF	
Enable/disable time		100max	nS	
Aging rate		± 5 max	ppm/y	
Input voltage-high	V_{IH}	2.2min	V	
Input voltage-low	V_{IL}	0.8max	V	

TEST CIRCUIT



OUTPUT WAVEFORM

