



FEATURES

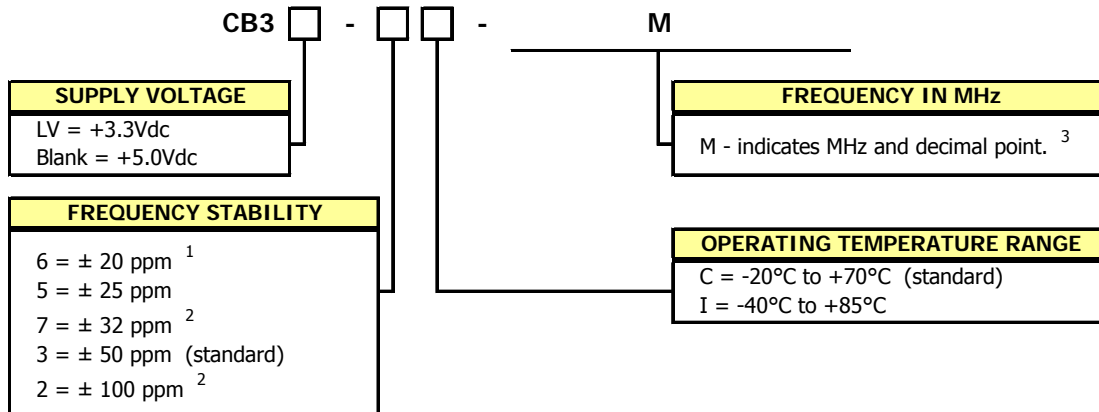
- Standard 7.0x5.0mm Surface Mount Footprint
- HCMOS/TTL Compatible
- **Fundamental and 3RD Overtone Crystals**
- Frequency Range 1.5 – 160 MHz
- Frequency Stability, ± 50 ppm Standard (± 25 ppm and ± 20 ppm available)
- +3.3Vdc or +5.0Vdc Operation
- Operating Temperature to -40°C to $+85^{\circ}\text{C}$
- Output Enable Standard
- Tape & Reel Packaging
- **RoHS/Green Compliant (6/6)**

DESCRIPTION

The CB3/CB3LV is a ceramic packaged Clock oscillator offering reduced size and enhanced stability. The small size means it is perfect for any application. The enhanced stability means it is the perfect choice for today's communications applications that require tight frequency control.



ORDERING INFORMATION



- 1] 6I Stability/Temperature combination is not available.
- 2] These stabilities are not recommended for new designs.
- 3] Frequency is recorded with only leading significant digits before the 'M' and 4 - 6 significant digits after the 'M' (including zeros).
[Ex. XMXXXXX (3M579545), XXMXXXXX (14M31818), XXXMXXXX (125M0000)]
- 4] CTS Distributors may add a -T or -1 at the end of the part number to indicate Tape and Reel packaging.

**Not all performance combinations and frequencies may be available.
Contact your local CTS Representative or CTS Customer Service for availability.**

Example Part Number: CB3LV-3C-32M7680 or CB3-3I-32M7680

ELECTRICAL CHARACTERISTICS

	PARAMETER	SYMBOL	CONDITIONS	MIN	TYP	MAX	UNIT	
Absolute Maximums	Maximum Supply Voltage	V_{CC}	-	-0.5	-	7.0	V	
	Storage Temperature	T_{STG}	-	-55	-	125	°C	
	Frequency Range	f_0	-	1.5	-	107	MHz	
	CB3LV		-	1.5	-	160		
	Frequency Stability	$\Delta f/f_0$	See Note 1 and Ordering Information	-	-	20, 25 or 50	± ppm	
	Aging	Δf	First year	-	3	5	± ppm	
	Operating Temperature	T_A	-	-20	25	70	°C	
Commercial Industrial	-		-40	-	85			
Electrical and Waveform Parameters	Supply Voltage	V_{CC}	± 10 %	4.5	5.0	5.5	V	
	CB3LV			3.0	3.3	3.6		
	Supply Current	I_{CC}	Frequency Range, tested load condition noted for typical values.		-	10	25	mA
	CB3		1.5 MHz to 20 MHz	$C_L=50pF$	-	30	50	
			20.1 MHz to 80 MHz	$C_L=50pF$	-	40	80	
			80.1 MHz to 107 MHz	$C_L=15pF$	-	7	12	
	CB3LV		1.5 MHz to 20 MHz	$C_L=15pF$	-	20	40	
			20.1 MHz to 80 MHz	$C_L=15pF$	-	30	60	
		80.1 MHz to 160 MHz	$C_L=15pF$	-	-	-		
	Output Load	C_L	1.5 MHz to 50 MHz	-	-	50	pF	
			50.1 MHz to 80 MHz	-	-	30		
			80.1 MHz to 160 MHz	-	-	15		
	Output Voltage Levels	V_{OH}	CMOS Load	10	$0.9*V_{CC}$ $V_{CC}-0.6V$	-	-	V
	Logic '1' Level		TTL LOAD					
	Logic '0' Level	V_{OL}	CMOS Load	TTL	-	-	$0.1*V_{CC}$ 0.4	
	Output Current	I_{OH}	$V_{OH} = 3.9V/2.2V$	$V_{CC} = 4.5V/3.0V$	-	-	-16/-8	mA
	Logic '0' Level		I_{OL}	$V_{OL} = 0.4V$	$V_{CC} = 4.5V/3.0V$	-	-	
Output Duty Cycle	SYM	@ 50% Level		45	-	55	%	
Rise and Fall Time	$T_{Rv} T_F$	@ 10% - 90% Levels, Tested load condition noted for typical values.		-	-	-	ns	
CB3		1.5 MHz to 20 MHz	$C_L=50pF$	-	8	10		
		20.1 MHz to 80 MHz	$C_L=50pF$	-	5	8		
		80.1 MHz to 160 MHz	$C_L=15pF$	-	2.5	5		
CB3LV		1.5 MHz to 20 MHz	$C_L=15pF$	-	6	8		
		20.1 MHz to 80 MHz	$C_L=15pF$	-	3	5		
	80.1 MHz to 160 MHz	$C_L=15pF$	-	1.5	3			
Start Up Time	T_S	Application of V_{CC}		-	-	10	ms	
Enable Function	V_{IH}	Pin 1 Logic '1', Output Enabled		2.0	-	-	V	
Enable Input Voltage		V_{IL}	Pin 1 Logic '0', Output Disabled		-	-		0.8
Disable Input Voltage	T_{PLZ}		Pin 1 Logic '1'		-	-	10	ms
Standby Current	I_{ST}	Pin 1 Logic '0', Output Disabled		-	-	10	µA	
Period Jitter, Pk-Pk	-	-		-	-	50	ps	
Period Jitter, RMS	-	-		-	-	5		
Phase Jitter, RMS	-	Bandwidth 12 kHz - 20 MHz		-	-	1		

Notes:

1. Inclusive of calibration @ 25°C, operating temperature range, supply voltage variation, load variation, and first year aging.

CMOS/TTL OUTPUT WAVEFORM



$$\text{DUTY CYCLE} = t/T \times 100 (\%)$$

ENABLE TRUTH TABLE

PIN 1	PIN 3
Logic '1'	Output
Open	Output
Logic '0'	High Imp.

TEST CIRCUIT, CMOS LOAD



D.U.T. PIN ASSIGNMENTS

PIN	SYMBOL	DESCRIPTION
1	EOH	Enable Input
2	GND	Circuit & Package Ground
3	Output	RF Output
4	V _{CC}	Supply Voltage

MECHANICAL SPECIFICATIONS

PACKAGE DRAWING



MARKING INFORMATION

- ** – Manufacturing Site Code.
[Note a dash may follow the site code and is acceptable.]
- XXXXMXXXXXX – Frequency is marked with only leading significant digits before the 'M' and 4 - 6 digits after the 'M' (including zeros).
Ex. XMXXXXXX (3M579545)
XXMXXXXXX (14M31818)
XXXMXXXX (125M0000)
- YYWW – Date code, YY – year, WW – week.
- ST – Frequency stability/temperature code.
(Refer to Ordering Information.)
- V – Voltage code. 3 = 3.3V, 5 = 5.0V.

NOTES

- Termination pads (e4). Barrier-plating is nickel (Ni) with gold (Au) flash plate.
- Reflow conditions per JEDEC J-STD-020.

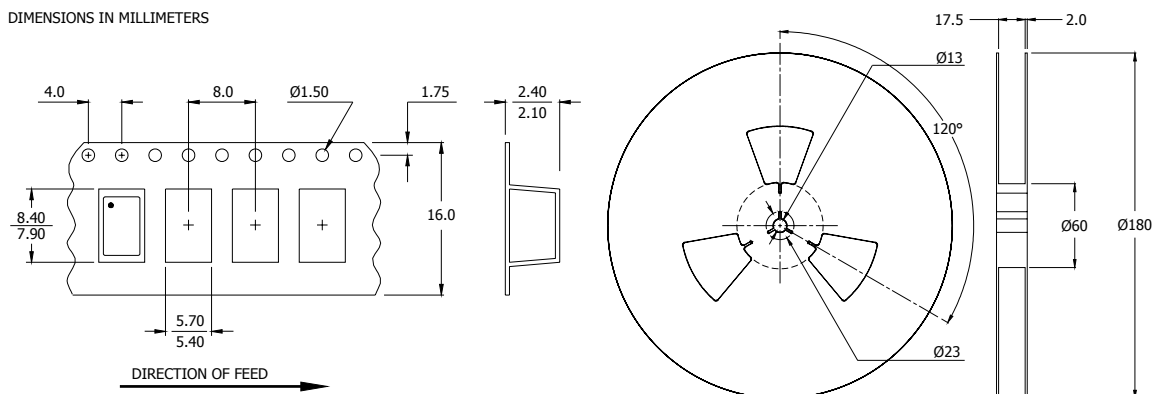
SUGGESTED SOLDER PAD GEOMETRY



C_{BYPASS} should be ≥ 0.01 uF.

TAPE AND REEL INFORMATION

Standard packaging is tape and reel for this product family. Device quantity is 1,000 pieces per 180mm reel.



ENVIRONMENTAL SPECIFICATIONS

Temperature Cycle:	400 cycles from -55°C to $+125^{\circ}\text{C}$, 10 minute dwell at each temperature, 1 minute transfer time between temperatures.
Mechanical Shock:	1,500g's, 0.5mS duration, $\frac{1}{2}$ sinewave, 3 shocks each direction along 3 mutually perpendicular planes (18 total shocks).
Sinusoidal Vibration:	0.06 inches double amplitude, 10 to 55 Hz and 20g's, 55 to 2,000 Hz, 3 cycles each in 3 mutually perpendicular planes (9 times total).
Gross Leak:	No leak shall appear while immersed in an FC40 or equivalent liquid at $+125^{\circ}\text{C}$ for 20 seconds.
Fine Leak:	Mass spectrometer leak rates less than 2×10^{-8} ATM cc/sec air equivalent.
Resistance to Solder Heat:	Product must survive 3 reflows of $+260^{\circ}\text{C}$ peak, 10 seconds maximum.
High Temperature Operating Bias:	2,000 hours at $+125^{\circ}\text{C}$, maximum bias, disregarding frequency shift.
Frequency Aging:	1,000 hours at $+85^{\circ}\text{C}$, full bias, less than ± 5 ppm shift.
Moisture Sensitivity Level:	Level 1 per JEDEC J-STD-020.