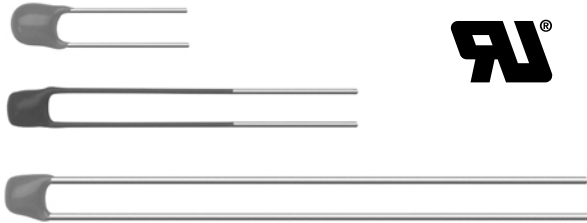


## NTC Thermistors, Radial Leaded, Accuracy Line



### FEATURES

- Accurate over a wide temperature range (tolerance on B-value between 2.0 % and 0.5 %)
- Good stability over a long life
- Excellent price/performance ratio
- Low heat conductivity through 0.4 mm Ni-leads
- UL recognized, file E148885
- Old part number was 2322 640 5....
- Component in accordance to RoHS 2002/95/EC and WEEE 2002/96/EC


**RoHS**  
COMPLIANT

### QUICK REFERENCE DATA

PARAMETER	VALUE
Resistance value at 25 °C	2 kΩ to 470 kΩ
Tolerance on $R_{25}$ - value	± 5 %; ± 3 %; ± 2 %; ± 1 %
Tolerance on $B_{25/85}$ - value	± 2.0 % to 0.5 %
Maximum dissipation	100 mW
Dissipation factor $\delta$	2.2 mW/K
Response time <sup>(1)</sup>	≈ 1.7 s
Thermal time constant $\tau$	13 s
Operating temperature range at:	
Zero dissipation (continuously)	- 40 °C to + 125 °C
Zero dissipation (for short periods) <sup>(2)</sup>	≤ 150 °C
Maximum dissipation (100 mW)	0 °C to + 55 °C
Climatic category	40/125/56
Mass	≈ 0.11 g

#### Notes

- <sup>(1)</sup> Response time in silicone oil MS200/50. This is the time needed for the sensor to reach 63.2 % of the total temperature difference when subjected to a temperature change from 25 °C in air to 85 °C in oil.
- <sup>(2)</sup> Valid for all types with the exception of the  $R_{25}$  values 12 kΩ, 22 kΩ and 470 kΩ.

### APPLICATIONS

Temperature measurement, sensing and control in industrial, consumer and telecom applications. For on-board sensing or accurate remote sensing.

### DESCRIPTION

These thermistors are made of NTC ceramic material. The device consists of a chip with two tinned nickel leads. The parts are coated and color band marked.

### PACKAGING

The thermistors are packed in cardboard boxes; the smallest packing quantity is 500 units.

### DESIGN-IN SUPPORT

For complete Curve Computation, visit:

[www.vishay.com/thermistors/curve-computation-list/](http://www.vishay.com/thermistors/curve-computation-list/)

### MARKING

The thermistors are marked with colored bands on a grey epoxy base coating; see Dimensions and “Electrical Data and Ordering Information”.

### MOUNTING

By soldering in any position.

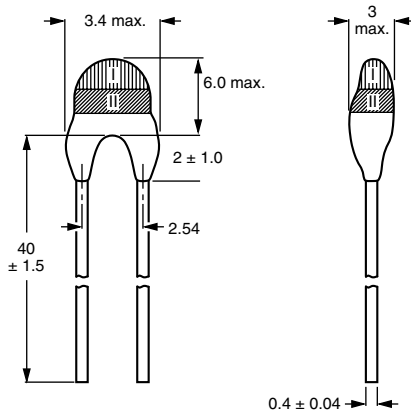
### ELECTRICAL DATA AND ORDERING INFORMATION

$R_{25}$ (kΩ)	$B_{25/85}$ - VALUE		12NC ORDERING CODE 2381 640 5... <sup>(3)</sup>	SAP MATERIAL NO. NTCLE203E3..... <sup>(4)</sup>	UL approved Y/N	CODING (see dimensions)	
	(K)	(± %)				I	II
2	3528	0.5	*202	202*B0	N	Orange	Orange
2.7	3977	0.75	*272	272*B0	Y	Red	Red
4.7	3977	0.75	*472	472*B0	Y	Green	Green
5	3977	0.75	*502	502*B0	Y	Black	White
10	3977	0.75	*103	103*B0	Y	Blue	Blue
12	3740	2	*123	123*B0	Y	Yellow	Yellow
22	3740	2	*223	223*B0	Y	White	White
47	4090	1.5	*473	473*B0	N	Black	Black
68	4190	1.5	*683	683*B0	N	Grey	Grey
100	4190	1.5	*104	104*B0	N	Brown	Brown
470	4570	1.5	*474	474*B0	N	Violet	Violet

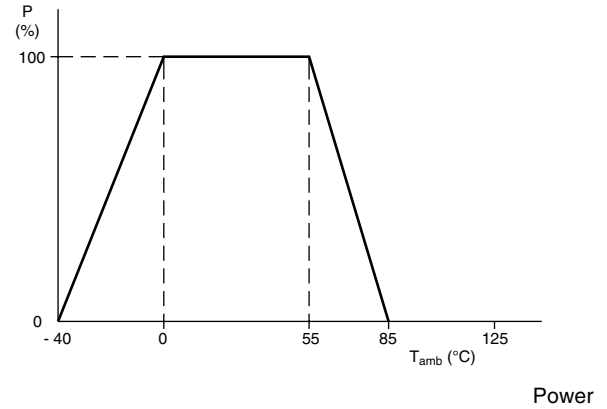
#### Notes

- <sup>(3)</sup> Replace \* in 12NC by 3 for ± 5 %, 6 for ± 3 %, 4 for ± 2 %, 5 for ± 1 %
- <sup>(4)</sup> Replace \* in SAP by J for ± 5 %, H for ± 3 %, G for ± 2 %, F for ± 1 %

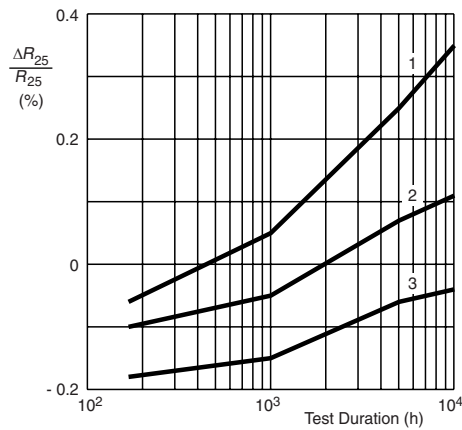
**DIMENSIONS** in millimeters



**DERATING AND LONG TERM STABILITY**

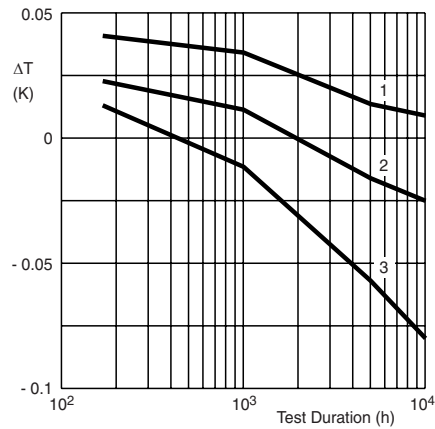


**LONG TERM STABILITY OF  $R_{25}$  AS A FUNCTION OF TEST DURATION AT MAXIMUM TEMPERATURE (150 °C)**



Curves valid for  
2.2 kΩ to 10 kΩ  
Curve 1: Maximum deviation  
Curve 2: Average deviation  
Curve 3: Minimum deviation

**LONG TERM STABILITY OF T AS A FUNCTION OF TEST DURATION AT MAXIMUM TEMPERATURE (150 °C)**



Curves valid for  
2.2 kΩ to 10 kΩ  
Curve 1: Minimum deviation  
Curve 2: Average deviation



# 2381 640 5.../NTCLE203E3....

NTC Thermistors, Radial Leaded, Vishay BCcomponents  
Accuracy Line

For complete Curve Computation, visit: [www.vishay.com/thermistors/curve-computation-list/](http://www.vishay.com/thermistors/curve-computation-list/)

RESISTANCE VALUES AT INTERMEDIATE TEMPERATURES WITH $R_{25}$ AT 2 k $\Omega$			
$T_{oper}$ [°C]	PART NR. 2381 640 5*202 NTCLE203E3202*B0	TCR [%/K]	$\Delta R/R$ DUE TO $B_{tol.}$ [%]
	$R_T$ [ $\Omega$ ]		
-40	46 684	- 6.06	1.65
-35	34 672	- 5.84	1.49
-30	26 035	- 5.62	1.34
-25	19 754	- 5.42	1.19
-20	15 138	- 5.23	1.05
-15	11 709	- 5.05	0.92
-10	9138	- 4.87	0.79
-5	7193	- 4.71	0.66
0	5707	- 4.55	0.54
5	4563	- 4.40	0.43
10	3675	- 4.26	0.31
15	2981	- 4.12	0.21
20	2434	- 3.99	0.10
25	2000	- 3.87	0.00
30	1653	- 3.75	0.10
35	1375	- 3.63	0.19
40	1149	- 3.53	0.28
45	965.4	- 3.42	0.37
50	814.7	- 3.32	0.46
55	690.5	- 3.23	0.54
60	587.4	- 3.14	0.62
65	501.6	- 3.05	0.70
70	429.8	- 2.97	0.78
75	369.5	- 2.89	0.86
80	318.6	- 2.81	0.93
85	275.5	- 2.73	1.01
90	238.8	- 2.66	1.08
95	207.6	- 2.59	1.15
100	180.9	- 2.53	1.22
105	158.0	- 2.46	1.29
110	138.3	- 2.40	1.35
115	121.3	- 2.34	1.42
120	106.6	- 2.29	1.48
125	93.92	- 2.23	1.55
130	82.87	- 2.18	1.61
135	73.25	- 2.13	1.67
140	64.87	- 2.08	1.73
145	57.54	- 2.03	1.79
150	51.12	- 1.98	1.85

# 2381 640 5..../NTCLE203E3....



Vishay BCcomponents NTC Thermistors, Radial Leaded,  
Accuracy Line

For complete Curve Computation, visit: [www.vishay.com/thermistors/curve-computation-list/](http://www.vishay.com/thermistors/curve-computation-list/)

<b>RESISTANCE VALUES AT INTERMEDIATE TEMPERATURES WITH <math>R_{25}</math> AT 2.7 k<math>\Omega</math>, 4.7 k<math>\Omega</math>, 5.0</b>						
$T_{oper}$ [°C]	PART NR. 2381 640 5*272 NTCLE203E3272*B0	PART NR. 2381 640 5*472 NTCLE203E3472*B0	PART NR. 2381 640 5*502 NTCLE203E3502*B0	PART NR. 2381 640 5*103 NTCLE203E3103*B0	TCR [%/K]	$\Delta R/R$ DUE TO $B_{tol.}$ [%]
	$R_T$ [ $\Omega$ ]	$R_T$ [ $\Omega$ ]	$R_T$ [ $\Omega$ ]	$R_T$ [ $\Omega$ ]		
-40	89 665	156 084	166 047	332 094	-6.62	2.79
-35	64 773	112 753	119 950	239 900	-6.39	2.52
-30	47 304	82 344	87 600	175 200	-6.18	2.26
-25	34 907	60 765	64 643	129 287	-5.98	2.02
-20	26 017	45 288	48 179	96 358	-5.78	1.78
-15	19 575	34 075	36 250	72 500	-5.60	1.55
-10	14 862	25 872	27 523	55 046	-5.42	1.33
-5	11 382	19 814	21 078	42 157	-5.25	1.12
0	8790	15 300	16 277	32 554	-5.09	0.92
5	6841	11 909	12 669	25 339	-4.93	0.72
10	5365	9340	9936	19 872	-4.79	0.53
15	4239	7378	7849	15 698	-4.64	0.35
20	3372	5869	6244	12 488	-4.51	0.17
25	2700	4700	5000	10 000	-4.38	0.00
30	2176	3788	4030	8059	-4.25	0.17
35	1764	3071	3267	6535	-4.13	0.32
40	1439	2505	2665	5330	-4.02	0.48
45	1180	2055	2186	4372	-3.91	0.63
50	973.4	1694	1803	3605	-3.80	0.77
55	806.9	1405	1494	2989	-3.70	0.91
60	672.3	1170	1245	2490	-3.60	1.05
65	562.8	979.7	1042	2084	-3.51	1.18
70	473.3	823.9	876.5	1753	-3.42	1.31
75	399.8	696.0	740.5	1481	-3.33	1.44
80	339.2	590.5	628.2	1256	-3.25	1.56
85	289.0	503.0	535.2	1070	-3.17	1.68
90	247.2	430.2	457.7	915.4	-3.09	1.79
95	212.2	369.4	393.0	786.0	-3.01	1.90
100	182.9	318.3	338.6	677.3	-2.94	2.01
105	158.2	275.3	292.9	585.7	-2.87	2.12
110	137.2	238.9	254.2	508.3	-2.80	2.22
115	119.5	208.0	221.3	442.6	-2.74	2.32
120	104.4	181.7	193.3	386.6	-2.67	2.42
125	91.46	159.2	169.4	338.7	-2.61	2.51
130	80.38	139.9	148.8	297.7	-2.55	2.61
135	70.84	123.3	131.2	262.4	-2.50	2.70
140	62.62	109.0	116.0	231.9	-2.44	2.78
145	55.49	96.60	102.8	205.5	-2.39	2.87
150	49.31	85.84	91.32	182.6	-2.34	2.96



# 2381 640 5.../NTCLE203E3....

NTC Thermistors, Radial Leaded, Vishay BCcomponents  
Accuracy Line

For complete Curve Computation, visit: [www.vishay.com/thermistors/curve-computation-list/](http://www.vishay.com/thermistors/curve-computation-list/)

<b>RESISTANCE VALUES AT INTERMEDIATE TEMPERATURES WITH <math>R_{25}</math> AT 12 k<math>\Omega</math> AND 22 k<math>\Omega</math></b>				
$T_{oper}$ [°C]	PART NR. 2381 640 5*123 NTCLE203E3123*B0	PART NR. 2381 640 5*223 NTCLE203E3223*B0	TCR [%/K]	$\Delta R/R$ DUE TO $B_{tol.}$ [%]
	$R_T$ [k $\Omega$ ]	$R_T$ [k $\Omega$ ]		
-40	309.4	567.2	-6.07	7.00
-35	229.5	420.8	-5.88	6.32
-30	171.8	315.0	-5.70	5.68
-25	129.8	238.0	-5.52	5.06
-20	98.93	181.4	-5.35	4.46
-15	76.02	139.4	-5.19	3.89
-10	58.88	107.9	-5.03	3.34
-5	45.95	84.25	-4.88	2.81
0	36.13	66.24	-4.74	2.30
5	28.61	52.45	-4.60	1.80
10	22.80	41.81	-4.47	1.33
15	18.30	33.55	-4.34	0.87
20	14.77	27.08	-4.22	0.43
25	12.00	22.00	-4.10	0.00
30	9.804	17.97	-3.99	0.41
35	8.054	14.77	-3.88	0.81
40	6.652	12.20	-3.77	1.20
45	5.522	10.12	-3.67	1.58
50	4.607	8.447	-3.58	1.94
55	3.862	7.081	-3.48	2.29
60	3.252	5.963	-3.39	2.64
65	2.751	5.044	-3.30	2.97
70	2.337	4.284	-3.22	3.29
75	1.993	3.654	-3.14	3.60
80	1.707	3.129	-3.06	3.91
85	1.467	2.690	-2.99	4.20
90	1.266	2.321	-2.92	4.49
95	1.096	2.010	-2.85	4.77
100	0.9524	1.746	-2.78	5.04
105	0.8302	1.522	-2.71	5.31
110	0.7260	1.331	-2.65	5.56
115	0.6369	1.168	-2.59	5.82
120	0.5604	1.027	-2.53	6.06
125	0.4945	0.9065	-2.47	6.30

# 2381 640 5..../NTCLE203E3....



Vishay BCcomponents NTC Thermistors, Radial Leaded,  
Accuracy Line

For complete Curve Computation, visit: [www.vishay.com/thermistors/curve-computation-list/](http://www.vishay.com/thermistors/curve-computation-list/)

<b>RESISTANCE VALUES AT INTERMEDIATE TEMPERATURES WITH <math>R_{25}</math> AT 47 k<math>\Omega</math></b>			
$T_{oper}$ [°C]	PART NR. 2381 640 5*473 NTCLE203E3473*B0	TCR [%/K]	$\Delta R/R$ DUE TO $B_{tol.}$ [%]
	$R_T$ [k $\Omega$ ]		
- 40	1589	- 6.54	5.74
- 35	1152	- 6.34	5.19
- 30	842.8	- 6.15	4.66
- 25	622.6	- 5.96	4.15
- 20	464.1	- 5.79	3.66
- 15	349.0	- 5.62	3.19
- 10	264.6	- 5.45	2.74
- 5	202.3	- 5.30	2.30
0	155.8	- 5.14	1.88
5	120.9	- 5.00	1.48
10	94.53	- 4.86	1.09
15	74.40	- 4.72	0.71
20	58.95	- 4.59	0.35
25	47.00	- 4.47	0.00
30	37.71	- 4.35	0.34
35	30.43	- 4.23	0.67
40	24.70	- 4.12	0.99
45	20.15	- 4.01	1.29
50	16.53	- 3.91	1.59
55	13.63	- 3.81	1.88
60	11.30	- 3.71	2.16
65	9.404	- 3.62	2.43
70	7.865	- 3.53	2.70
75	6.607	- 3.44	2.95
80	5.573	- 3.36	3.20
85	4.721	- 3.28	3.45
90	4.015	- 3.20	3.68
95	3.427	- 3.13	3.91
100	2.936	- 3.05	4.13
105	2.525	- 2.98	4.35
110	2.179	- 2.92	4.56
115	1.886	- 2.85	4.77
120	1.638	- 2.79	4.97
125	1.427	- 2.73	5.17
130	1.247	- 2.67	5.36
135	1.093	- 2.61	5.54
140	0.9608	- 2.55	5.73
145	0.8468	- 2.50	5.90
150	0.7483	- 2.45	6.08



# 2381 640 5.../NTCLE203E3....

NTC Thermistors, Radial Leaded, Vishay BCcomponents  
Accuracy Line

For complete Curve Computation, visit: [www.vishay.com/thermistors/curve-computation-list/](http://www.vishay.com/thermistors/curve-computation-list/)

<b>RESISTANCE VALUES AT INTERMEDIATE TEMPERATURES WITH <math>R_{25}</math> AT 68 k<math>\Omega</math> AND 100 k<math>\Omega</math></b>				
$T_{oper}$ [°C]	PART NR. 2381 640 5*683 NTCLE203E3683*B0	PART NR. 2381 640 5*104 NTCLE203E3104*B0	TCR [%/K]	$\Delta R/R$ DUE TO $B_{tol}$ . [%]
	$R_T$ [k $\Omega$ ]	$R_T$ [k $\Omega$ ]		
-40	2493	3666	-6.69	5.88
-35	1794	2638	-6.49	5.31
-30	1303	1917	-6.29	4.77
-25	956.2	1406	-6.10	4.25
-20	708.0	1041	-5.92	3.75
-15	528.9	777.8	-5.75	3.27
-10	398.5	586.1	-5.58	2.80
-5	302.8	445.3	-5.42	2.36
0	231.8	340.9	-5.26	1.93
5	178.9	263.1	-5.11	1.52
10	139.0	204.4	-4.97	1.12
15	108.8	160.0	-4.83	0.73
20	85.74	126.1	-4.70	0.36
25	68.00	100.0	-4.57	0.00
30	54.27	79.81	-4.45	0.35
35	43.57	64.08	-4.33	0.68
40	35.19	51.75	-4.22	1.01
45	28.57	42.02	-4.11	1.33
50	23.33	34.31	-4.00	1.63
55	19.15	28.16	-3.90	1.93
60	15.79	23.22	-3.80	2.21
65	13.09	19.25	-3.71	2.49
70	10.90	16.02	-3.62	2.76
75	9.114	13.40	-3.53	3.03
80	7.655	11.26	-3.45	3.28
85	6.457	9.496	-3.36	3.53
90	5.469	8.042	-3.28	3.77
95	4.649	6.837	-3.21	4.01
100	3.968	5.835	-3.13	4.24
105	3.399	4.998	-3.06	4.46
110	2.921	4.296	-2.99	4.68
115	2.519	3.705	-2.93	4.89
120	2.180	3.206	-2.86	5.09
125	1.892	2.783	-2.80	5.29
130	1.648	2.423	-2.74	5.49
135	1.439	2.116	-2.68	5.68
140	1.261	1.854	-2.62	5.87
145	1.107	1.628	-2.57	6.05
150	0.9752	1.434	-2.51	6.23

For complete Curve Computation, visit: [www.vishay.com/thermistors/curve-computation-list/](http://www.vishay.com/thermistors/curve-computation-list/)

<b>RESISTANCE VALUES AT INTERMEDIATE TEMPERATURES WITH <math>R_{25}</math> AT 470 k<math>\Omega</math></b>			
$T_{oper}$ [°C]	PART NR. 2381 640 5*474 NTCLE203E3474*B0	TCR [%/K]	$\Delta R/R$ DUE TO $B_{tol.}$ [%]
	$R_T$ [k $\Omega$ ]		
-40	22 850	-7.14	6.41
-35	16 068	-6.94	5.80
-30	11 413	-6.74	5.20
-25	8185	-6.55	4.64
-20	5926	-6.37	4.09
-15	4329	-6.19	3.57
-10	3190	-6.02	3.06
-5	2371	-5.85	2.57
0	1777	-5.69	2.11
5	1342	-5.54	1.65
10	1021	-5.39	1.22
15	783.0	-5.24	0.80
20	604.6	-5.10	0.39
25	470.0	-4.97	0.00
30	367.8	-4.84	0.38
35	289.6	-4.72	0.75
40	229.5	-4.59	1.10
45	182.9	-4.48	1.45
50	146.7	-4.37	1.78
55	118.2	-4.26	2.10
60	95.80	-4.15	2.41
65	78.04	-4.05	2.72
70	63.88	-3.95	3.01
75	52.55	-3.86	3.30
80	43.43	-3.77	3.58
85	36.05	-3.68	3.85
90	30.06	-3.59	4.11
95	25.16	-3.51	4.37
100	21.15	-3.43	4.62
105	17.85	-3.35	4.86
110	15.12	-3.28	5.10
115	12.86	-3.21	5.33
120	10.97	-3.14	5.55
125	9.396	-3.07	5.77





## Disclaimer

All product specifications and data are subject to change without notice.

Vishay Intertechnology, Inc., its affiliates, agents, and employees, and all persons acting on its or their behalf (collectively, "Vishay"), disclaim any and all liability for any errors, inaccuracies or incompleteness contained herein or in any other disclosure relating to any product.

Vishay disclaims any and all liability arising out of the use or application of any product described herein or of any information provided herein to the maximum extent permitted by law. The product specifications do not expand or otherwise modify Vishay's terms and conditions of purchase, including but not limited to the warranty expressed therein, which apply to these products.

No license, express or implied, by estoppel or otherwise, to any intellectual property rights is granted by this document or by any conduct of Vishay.

The products shown herein are not designed for use in medical, life-saving, or life-sustaining applications unless otherwise expressly indicated. Customers using or selling Vishay products not expressly indicated for use in such applications do so entirely at their own risk and agree to fully indemnify Vishay for any damages arising or resulting from such use or sale. Please contact authorized Vishay personnel to obtain written terms and conditions regarding products designed for such applications.

Product names and markings noted herein may be trademarks of their respective owners.