

SMD 0805, Glass Protected NTC Thermistors



FEATURES

- TCR ranging from - 6 %/K at - 40 °C to - 2 %/K at 150 °C
- Tolerance on R_{25} down to 1 %, and on $B_{25/85}$ down to 1 %
- Suitable for wave or reflow soldering
- NiSn terminations
- Fully glass coated and protected
- Old part number was 2322 615 5....
- Compliant to RoHS directive 2002/95/EC and in accordance to WEEE 2002/96/EC


RoHS
COMPLIANT

QUICK REFERENCE DATA

| PARAMETER | VALUE |
|---|----------------------------|
| Resistance value at 25 °C | 2.2 kΩ to 680 kΩ |
| Tolerance on R_{25} - value | ± 1 %; ± 2 %; ± 3 %; ± 5 % |
| $B_{25/85}$ value | 3600K to 4125K |
| Tolerance on $B_{25/85}$ - value | ± 1 %; ± 3 % |
| Maximum dissipation at 25 °C | 210 mW |
| Thermal time constant τ | ≈ 10 s |
| Dissipation factor D | 3.5 mW/K |
| Operating temperature range at zero power | - 40 °C to + 150 °C |
| R/T values | See tables |
| Climatic category | 40/125/56 |
| Weight | ≈ 0.008 g |

APPLICATIONS

- Temperature sensing, protection and compensation in automotive, industrial, telecom and consumer applications. Examples are:
 - Battery chargers
 - Power suppliers
 - Office equipment
 - LCD compensation
 - In-car entertainment

DESCRIPTION

Size 0805 chip thermistors with a negative temperature coefficient. The device has no marking.

PACKAGING

Available in 8 mm punched paper tape on reel package of 4000 units.

DESIGN-IN SUPPORT

For complete Curve Computation, visit:
www.vishay.com/thermistors/curve-computation-list/

ELECTRICAL DATA AND ORDERING INFORMATION

| R_{25} - VALUE [kΩ] | $B_{25/85}$ - VALUE [K] | TOLERANCE ON $B_{25/85}$ [%] | SAP MATERIAL AND ORDERING NUMBER NTCS0805E3... ⁽¹⁾ | 12 NC OLD MATERIAL NUMBER 2381 615 5.... ⁽²⁾ |
|--------------------------|----------------------------|------------------------------------|---|--|
| 2.2 | 3600 | ± 1 | 222*MT | *222 |
| 4.7 | 3500 | ± 1 | 472*MT | *472 |
| 10 | 3430 | ± 3 | 103*LT | - |
| 10 | 3570 | ± 3 | 103*MT | *103 |
| 10 | 3940 | ± 1 | 103*HT | - |
| 15 | 3700 | ± 1 | 153*MT | *153 |
| 22 | 3800 | ± 1 | 223*HT | *223 |
| 33 | 3920 | ± 1 | 333*HT | *333 |
| 47 | 3960 | ± 1 | 473*HT | *473 |
| 68 | 4100 | ± 1 | 683*XT | *683 |
| 100 | 3590 | ± 1 | 104*MT | - |
| 100 | 4100 | ± 1 | 104*XT | *104 |
| 330 | 3930 | ± 1 | 334*HT | *334 |
| 470 | 4025 | ± 1 | 474*XT | *474 |
| 680 | 4125 | ± 1 | 684*XT | *684 |

Notes

⁽¹⁾ Replace * in SAP part no by J for 5 %, H for 3 %, G for 2 %, F for 1 % tolerance on R_{25}

⁽²⁾ Replace * in 12 NC by 3 for 5 %, 6 for 3 %, 4 for 2 %, 5 for 1 % tolerance on R_{25}

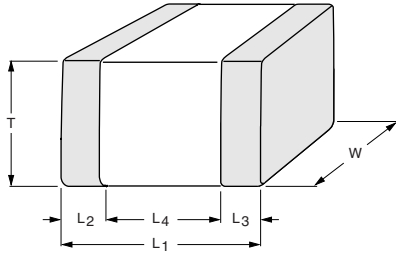
NTCS0805E3.....T/2381 615 5....



Vishay BCcomponents

SMD 0805, Glass Protected
NTC Thermistors

DIMENSIONS in millimeters



| L ₁ | W | T | L ₂ and L ₃ min. | L ₄ min. |
|----------------|-------------|------------|---|------------------------|
| 2.0 ± 0.2 | 1.25 ± 0.15 | 0.8 ± 0.15 | 0.2 | 0.55 |

For complete Curve Computation, visit: www.vishay.com/thermistors/curve-computation-list/

| RESISTANCE VALUES AT INTERMEDIATE TEMPERATURES WITH R ₂₅ AT 2.2 AND 4.7 kΩ | | | | | |
|---|---------------------------------|--------------|---------------------------------|--------------|---------------------------------------|
| T _{OPER} [°C] | PART NUMBER NTCS0805E3222*MT | | PART NUMBER NTCS0805E3472*MT | | ΔR/R DUE TO B _{tol} [± %] |
| | R _T [Ω] | TCR [%/K] | R _T [Ω] | TCR [%/K] | |
| -40 | 57 658 | - 6.26 | 101 275 | - 5.75 | 7.58 |
| -35 | 42 410 | - 6.03 | 76 325 | - 5.57 | 6.83 |
| -30 | 31 537 | - 5.82 | 58 034 | - 5.39 | 6.13 |
| -25 | 23 698 | - 5.61 | 44 505 | - 5.22 | 5.45 |
| -20 | 17 986 | - 5.42 | 34 413 | - 5.06 | 4.80 |
| -15 | 13 782 | - 5.23 | 26 821 | - 4.91 | 4.18 |
| -10 | 10 657 | - 5.06 | 21 065 | - 7.76 | 3.58 |
| -5 | 8312.0 | - 4.89 | 16 667 | - 4.61 | 3.01 |
| 0 | 6537.1 | - 4.72 | 13 280 | - 4.47 | 2.46 |
| 5 | 5182.1 | - 4.57 | 10 654 | - 4.34 | 1.93 |
| 10 | 4139.2 | - 4.42 | 8603.2 | - 4.21 | 1.42 |
| 15 | 3330.1 | - 4.28 | 6991.1 | - 4.09 | 0.93 |
| 20 | 2697.8 | - 4.14 | 5715.6 | - 3.97 | 0.46 |
| 25 | 2200.0 | - 4.02 | 4700.0 | - 3.86 | 0.00 |
| 30 | 1805.5 | - 3.89 | 3886.6 | - 3.75 | 0.22 |
| 35 | 1490.7 | - 3.77 | 3231.2 | - 3.64 | 0.43 |
| 40 | 1237.9 | - 3.66 | 2700.3 | - 3.54 | 0.64 |
| 45 | 1033.7 | - 3.55 | 2267.9 | - 3.44 | 0.84 |
| 50 | 867.85 | - 3.45 | 1913.9 | - 3.35 | 1.03 |
| 55 | 732.31 | - 3.35 | 1622.6 | - 3.26 | 1.22 |
| 60 | 620.96 | - 3.25 | 1381.7 | - 3.17 | 1.40 |
| 65 | 529.02 | - 3.16 | 1181.7 | - 3.09 | 1.58 |
| 70 | 452.73 | - 3.07 | 1014.7 | - 3.01 | 1.75 |
| 75 | 389.13 | - 2.99 | 874.85 | - 2.93 | 1.92 |
| 80 | 335.85 | - 2.90 | 757.13 | - 2.85 | 2.08 |
| 85 | 291.02 | - 2.83 | 657.67 | - 2.78 | 2.23 |
| 90 | 253.15 | - 2.75 | 573.31 | - 2.71 | 2.54 |
| 95 | 221.03 | - 2.68 | 501.48 | - 2.64 | 2.85 |
| 100 | 193.66 | - 2.61 | 440.10 | - 2.58 | 3.14 |
| 105 | 170.27 | - 2.54 | 387.47 | - 2.52 | 3.43 |
| 110 | 150.20 | - 2.48 | 342.18 | - 2.46 | 3.71 |
| 115 | 132.91 | - 2.41 | 303.09 | - 2.40 | 3.98 |
| 120 | 117.98 | - 2.35 | 269.24 | - 2.34 | 4.24 |
| 125 | 105.03 | - 2.20 | 239.83 | - 2.29 | 4.50 |
| 130 | 93.766 | - 2.24 | 214.20 | - 2.23 | 4.76 |
| 135 | 83.943 | - 2.19 | 191.82 | - 2.18 | 5.00 |
| 140 | 75.349 | - 2.13 | 172.20 | - 2.13 | 5.25 |
| 145 | 67.807 | - 2.08 | 154.96 | - 2.09 | 5.48 |
| 150 | 61.172 | - 2.04 | 139.78 | - 2.04 | 5.71 |



NTCS0805E3.....T/2381 615 5....

SMD 0805, Glass Protected
NTC Thermistors

Vishay BCcomponents

For complete Curve Computation, visit: www.vishay.com/thermistors/curve-computation-list/

| RESISTANCE VALUES AT INTERMEDIATE TEMPERATURES WITH R ₂₅ AT 10 kΩ | | | | | | | |
|--|---------------------------------|--------------|---------------------------------|--------------|---------------------------------|--------------|--|
| T _{OPER} [°C] | PART NUMBER NTCS0805E3103*LT | | PART NUMBER NTCS0805E3103*MT | | PART NUMBER NTCS0805E3103*HT | | ΔR/R DUE TO B _{tol} [± %] |
| | R _T [Ω] | TCR [%/K] | R _T [Ω] | TCR [%/K] | R _T [Ω] | TCR [%/K] | |
| -40 | 182 928 | - 5.47 | 232 634 | - 5.92 | 335 922 | - 6.60 | 11.22 |
| -35 | 139 839 | - 5.28 | 173 538 | - 5.71 | 242 721 | - 6.40 | 10.14 |
| -30 | 107 902 | - 5.10 | 130 769 | - 5.51 | 177 179 | - 6.19 | 9.10 |
| -25 | 83 986 | - 4.93 | 99 489 | - 5.33 | 130 625 | - 6.00 | 8.11 |
| -20 | 65 904 | - 4.77 | 76 385 | - 5.15 | 97 234 | - 5.81 | 7.15 |
| -15 | 52 111 | - 4.62 | 59 157 | - 4.98 | 73 056 | - 5.63 | 6.24 |
| -10 | 41 501 | - 4.48 | 46 194 | - 4.82 | 55 387 | - 5.45 | 5.35 |
| -5 | 33 276 | - 4.35 | 36 356 | - 4.67 | 42 358 | - 5.28 | 4.50 |
| 0 | 26 851 | - 4.23 | 28 829 | - 4.52 | 32 666 | - 5.11 | 3.68 |
| 5 | 21 799 | - 4.11 | 23 025 | - 4.38 | 25 396 | - 4.96 | 2.89 |
| 10 | 17 798 | - 4.00 | 18 515 | - 4.25 | 19 898 | - 4.80 | 2.13 |
| 15 | 14 612 | - 3.89 | 14 986 | - 4.12 | 15 708 | - 4.66 | 1.40 |
| 20 | 12 058 | - 3.79 | 12 205 | - 4.00 | 12 490 | - 4.51 | 0.69 |
| 25 | 10 000 | - 3.69 | 10 000 | - 3.88 | 10 000 | - 4.38 | 0.00 |
| 30 | 8332.5 | - 3.60 | 8240.3 | - 3.77 | 8060.1 | - 4.25 | 0.66 |
| 35 | 6974.6 | - 3.51 | 6827.5 | - 3.66 | 6538.4 | - 4.12 | 1.31 |
| 40 | 5863.2 | - 3.43 | 5686.6 | - 3.56 | 5336.7 | - 4.00 | 1.93 |
| 45 | 4949.5 | - 3.35 | 4760.3 | - 3.46 | 4381.9 | - 3.88 | 2.53 |
| 50 | 4194.8 | - 3.27 | 4004.2 | - 3.37 | 3618.5 | - 3.77 | 3.11 |
| 55 | 3568.8 | - 3.19 | 3383.8 | - 3.28 | 3004.5 | - 3.67 | 3.68 |
| 60 | 3047.5 | - 3.12 | 2872.3 | - 3.19 | 2507.9 | - 3.56 | 4.23 |
| 65 | 2611.5 | - 3.05 | 2448.5 | - 3.11 | 2104.1 | - 3.46 | 4.76 |
| 70 | 2245.5 | - 2.99 | 2095.9 | - 3.03 | 1774.0 | - 3.37 | 5.28 |
| 75 | 1937.2 | - 2.92 | 1801.2 | - 2.95 | 1502.7 | - 3.27 | 5.78 |
| 80 | 1676.6 | - 2.86 | 1553.8 | - 2.88 | 1278.7 | - 3.18 | 6.27 |
| 85 | 1455.4 | - 2.80 | 1345.3 | - 2.81 | 1092.8 | - 3.10 | 6.74 |
| 90 | 1267.2 | - 2.74 | 1168.9 | - 2.74 | 937.89 | - 3.02 | 7.20 |
| 95 | 1106.5 | - 2.68 | 1019.2 | - 2.67 | 808.21 | - 2.94 | 7.65 |
| 100 | 968.83 | - 2.63 | 891.48 | - 2.61 | 699.18 | - 2.86 | 8.09 |
| 105 | 850.57 | - 2.53 | 782.28 | - 2.54 | 607.15 | - 2.79 | 8.51 |
| 110 | 748.69 | - 2.53 | 688.56 | - 2.48 | 529.14 | - 2.71 | 8.93 |
| 115 | 660.67 | - 2.48 | 607.85 | - 2.43 | 462.78 | - 2.65 | 9.33 |
| 120 | 584.42 | - 2.43 | 538.14 | - 2.37 | 406.10 | - 2.58 | 9.73 |
| 125 | 518.20 | - 2.38 | 477.73 | - 2.32 | 357.54 | - 2.52 | 10.11 |
| 130 | 460.53 | - 2.34 | 425.24 | - 2.26 | 315.77 | - 2.45 | 10.48 |
| 135 | 410.19 | - 2.29 | 379.49 | - 2.21 | 279.73 | - 2.39 | 10.85 |
| 140 | 366.15 | - 2.25 | 339.51 | - 2.17 | 248.53 | - 2.34 | 11.20 |
| 145 | 327.52 | - 2.21 | 304.47 | - 2.12 | 221.44 | - 2.28 | 11.55 |
| 150 | 293.56 | - 2.17 | 273.69 | - 2.07 | 197.84 | - 2.23 | 11.89 |

NTCS0805E3.....T/2381 615 5....



Vishay BCcomponents

SMD 0805, Glass Protected
NTC Thermistors

For complete Curve Computation, visit: www.vishay.com/thermistors/curve-computation-list/

| RESISTANCE VALUES AT INTERMEDIATE TEMPERATURES WITH R_{25} AT 15, 22 AND 33 kΩ | | | | | | | |
|--|---------------------------------|--------------|---------------------------------|--------------|---------------------------------|--------------|--|
| T_{OPER} [°C] | PART NUMBER NTCS0805E3153*MT | | PART NUMBER NTCS0805E3223*HT | | PART NUMBER NTCS0805E3333*MT | | $\Delta R/R$ DUE TO B_{tol} [± %] |
| | R_T [Ω] | TCR [%/K] | R_T [Ω] | TCR [%/K] | R_T [Ω] | TCR [%/K] | |
| -40 | 391 251 | - 6.14 | 641 004 | - 6.40 | 1 104 739 | - 6.79 | 7.58 |
| -35 | 289 245 | - 5.94 | 468 038 | - 6.18 | 793 249 | - 6.53 | 6.83 |
| -30 | 215 960 | - 5.75 | 345 469 | - 5.97 | 576 683 | - 6.28 | 6.13 |
| -25 | 162 779 | - 5.56 | 257 644 | - 5.77 | 424 161 | - 6.05 | 5.45 |
| -20 | 123 815 | - 5.38 | 194 045 | - 5.57 | 315 430 | - 5.84 | 4.80 |
| -15 | 95 001 | - 5.21 | 147 521 | - 5.39 | 237 022 | - 5.63 | 4.18 |
| -10 | 73 505 | - 5.05 | 113 159 | - 5.22 | 179 865 | - 5.44 | 3.58 |
| -5 | 57 329 | - 4.89 | 87 544 | - 5.05 | 137 767 | - 5.26 | 3.01 |
| 0 | 45 058 | - 4.74 | 68 281 | - 4.89 | 106 459 | - 5.08 | 2.46 |
| 5 | 35 674 | - 4.60 | 53 672 | - 4.74 | 82 958 | - 4.92 | 1.93 |
| 10 | 28 445 | - 4.46 | 42 503 | - 4.59 | 65 162 | - 4.76 | 1.42 |
| 15 | 22 834 | - 4.33 | 33 898 | - 4.46 | 51 572 | - 4.61 | 0.93 |
| 20 | 18 450 | - 4.20 | 27 220 | - 4.32 | 41 112 | - 4.47 | 0.46 |
| 25 | 15 000 | - 4.08 | 22 000 | - 4.20 | 33 000 | - 4.34 | 0.00 |
| 30 | 12 268 | - 3.96 | 17 892 | - 4.07 | 26 663 | - 4.21 | 0.22 |
| 35 | 10 092 | - 3.85 | 14 638 | - 3.96 | 21 678 | - 4.08 | 0.43 |
| 40 | 8347.4 | - 3.74 | 12 045 | - 3.84 | 17 730 | - 3.97 | 0.64 |
| 45 | 6941.1 | - 3.64 | 9965.0 | - 3.74 | 14 585 | - 3.86 | 0.84 |
| 50 | 5801.1 | - 3.54 | 8288.3 | - 3.63 | 12 063 | - 3.75 | 1.03 |
| 55 | 4872.1 | - 3.44 | 6928.4 | - 3.54 | 10 030 | - 3.65 | 1.22 |
| 60 | 4111.1 | - 3.35 | 5819.8 | - 3.44 | 8381.6 | - 3.55 | 1.40 |
| 65 | 3484.7 | - 3.26 | 4911.4 | - 3.35 | 7037.8 | - 3.45 | 1.58 |
| 70 | 2966.6 | - 3.18 | 4163.4 | - 3.26 | 5936.8 | - 3.36 | 1.75 |
| 75 | 2536.2 | - 3.09 | 3544.6 | - 3.18 | 5030.3 | - 3.27 | 1.92 |
| 80 | 2176.9 | - 3.02 | 3030.2 | - 3.10 | 4280.4 | - 3.19 | 2.08 |
| 85 | 1875.8 | - 2.94 | 2600.9 | - 3.02 | 3657.2 | - 3.11 | 2.23 |
| 90 | 1622.5 | - 2.87 | 2241.0 | - 2.94 | 3137.1 | - 3.03 | 2.54 |
| 95 | 1408.4 | - 2.79 | 1938.0 | - 2.87 | 2701.2 | - 2.96 | 2.85 |
| 100 | 1226.8 | - 2.73 | 1682.0 | - 2.80 | 2334.4 | - 2.89 | 3.14 |
| 105 | 1072.3 | - 2.66 | 1464.9 | - 2.73 | 2024.4 | - 2.82 | 3.43 |
| 110 | 940.20 | - 2.60 | 1280.0 | - 2.67 | 1761.6 | - 2.75 | 3.71 |
| 115 | 827.00 | - 2.54 | 1122.0 | - 2.60 | 1538.0 | - 2.69 | 3.98 |
| 120 | 729.62 | - 2.48 | 986.60 | - 2.54 | 1346.9 | - 2.63 | 4.24 |
| 125 | 645.60 | - 2.42 | 870.11 | - 2.48 | 1183.23 | - 2.57 | 4.50 |
| 130 | 572.86 | - 2.36 | 769.60 | - 2.43 | 1042.4 | - 2.51 | 4.76 |
| 135 | 509.71 | - 2.31 | 682.59 | - 2.37 | 921.02 | - 2.45 | 5.00 |
| 140 | 454.71 | - 2.26 | 607.05 | - 2.32 | 815.99 | - 2.40 | 5.25 |
| 145 | 406.69 | - 2.21 | 541.28 | - 2.27 | 724.85 | - 2.35 | 5.48 |
| 150 | 364.64 | - 2.16 | 483.86 | - 2.22 | 645.54 | - 2.30 | 5.71 |



NTCS0805E3.....T/2381 615 5....

SMD 0805, Glass Protected
NTC Thermistors

Vishay BCcomponents

For complete Curve Computation, visit: www.vishay.com/thermistors/curve-computation-list/

| RESISTANCE VALUES AT INTERMEDIATE TEMPERATURES WITH R_{25} AT 47, 68 AND 100 kΩ | | | | | | | | | |
|---|---------------------------------|--------------|---------------------------------|--------------|---------------------------------|--------------|---------------------------------|--------------|---|
| T_{OPER} [°C] | PART NUMBER NTCS0805E3473*HT | | PART NUMBER NTCS0805E3683*XT | | PART NUMBER NTCS0805E3104*MT | | PART NUMBER NTCS0805E3104*XT | | $\Delta R/R$ DUE TO B_{tol} [± %] |
| | R_T [Ω] | TCR [%/K] | R_T [Ω] | TCR [%/K] | R_T [Ω] | TCR [%/K] | R_T [Ω] | TCR [%/K] | |
| -40 | 1 536 095 | - 6.60 | 2 596 437 | - 6.92 | 2 245 445 | - 5.82 | 3 833 689 | - 6.96 | 7.58 |
| -35 | 1 110 020 | - 6.37 | 1 848 208 | - 6.68 | 1 686 623 | - 5.63 | 2 724 206 | - 6.71 | 6.83 |
| -30 | 811 212 | - 6.15 | 1 331 164 | - 6.45 | 1 278 403 | - 5.45 | 1 959 612 | - 6.47 | 6.13 |
| -25 | 599 204 | - 5.94 | 969 559 | - 6.23 | 977 431 | - 5.28 | 1 426 014 | - 6.25 | 5.45 |
| -20 | 447 111 | - 5.74 | 713 753 | - 6.02 | 753 552 | - 5.12 | 1 049 150 | - 6.03 | 4.80 |
| -15 | 336 851 | - 5.56 | 530 805 | - 5.82 | 585 597 | - 4.97 | 779 950 | - 5.83 | 4.18 |
| -10 | 256 116 | - 5.38 | 398 593 | - 5.64 | 458 561 | - 4.82 | 585 575 | - 5.64 | 3.58 |
| -5 | 196 435 | - 5.21 | 302 091 | - 5.45 | 361 719 | - 4.67 | 443 786 | - 5.45 | 3.01 |
| 0 | 151 917 | - 5.05 | 230 981 | - 5.28 | 287 337 | - 4.54 | 339 343 | - 5.28 | 2.46 |
| 5 | 118 422 | - 4.89 | 178 104 | - 5.12 | 229 790 | - 4.40 | 261 695 | - 5.11 | 1.93 |
| 10 | 93 012 | - 4.74 | 138 441 | - 4.96 | 184 958 | - 4.28 | 203 455 | - 4.96 | 1.42 |
| 15 | 73 583 | - 4.60 | 108 442 | - 4.81 | 149 796 | - 4.16 | 159 402 | - 4.81 | 0.93 |
| 20 | 58 615 | - 4.47 | 85 571 | - 4.67 | 122 043 | - 4.04 | 125 811 | - 4.66 | 0.46 |
| 25 | 47 000 | - 4.34 | 68 000 | - 4.53 | 100 000 | - 3.93 | 100 000 | - 4.52 | 0.00 |
| 30 | 37 925 | - 4.22 | 54 403 | - 4.40 | 82 389 | - 3.82 | 80 021 | - 4.39 | 0.22 |
| 35 | 30 788 | - 4.10 | 43 806 | - 4.27 | 68 238 | - 3.72 | 64 447 | - 4.27 | 0.43 |
| 40 | 25 139 | - 3.99 | 35 493 | - 4.15 | 56 805 | - 3.62 | 52 224 | - 4.15 | 0.64 |
| 45 | 20 641 | - 3.88 | 28 928 | - 4.03 | 47 518 | - 3.52 | 42 570 | - 4.03 | 0.84 |
| 50 | 17 038 | - 3.78 | 23 712 | - 3.92 | 39 936 | - 3.43 | 34 897 | - 3.92 | 1.03 |
| 55 | 14 136 | - 3.68 | 19 543 | - 3.81 | 33 716 | - 3.34 | 28 763 | - 3.81 | 1.22 |
| 60 | 11 786 | - 3.58 | 16 192 | - 3.71 | 28 589 | - 3.26 | 23 830 | - 3.71 | 1.40 |
| 65 | 9872.9 | - 3.49 | 13 483 | - 3.61 | 24 342 | - 3.17 | 19 842 | - 3.61 | 1.58 |
| 70 | 8308.1 | - 3.40 | 11 282 | - 3.52 | 20 811 | - 3.10 | 16 601 | - 3.52 | 1.75 |
| 75 | 7021.9 | - 3.31 | 9484.2 | - 3.43 | 17 861 | - 3.02 | 13 954 | - 3.43 | 1.92 |
| 80 | 5959.7 | - 3.23 | 8008.8 | - 3.34 | 15 386 | - 2.95 | 11 781 | - 3.34 | 2.08 |
| 85 | 5078.7 | - 3.15 | 6792.1 | - 3.25 | 13 303 | - 2.87 | 9988.4 | - 3.26 | 2.23 |
| 90 | 4344.9 | - 3.08 | 5784.2 | - 3.17 | 11 542 | - 2.81 | 8503.6 | - 3.18 | 2.54 |
| 95 | 3731.0 | - 3.00 | 4945.7 | - 3.09 | 10 048 | - 2.74 | 7268.2 | - 3.10 | 2.85 |
| 100 | 3215.5 | - 2.93 | 4245.0 | - 3.02 | 8775.2 | - 2.68 | 6236.0 | - 3.03 | 3.14 |
| 105 | 2781.0 | - 2.86 | 3657.2 | - 2.94 | 7688.1 | - 2.61 | 5370.1 | - 2.95 | 3.43 |
| 110 | 2413.2 | - 2.80 | 3162.1 | - 2.87 | 6756.2 | - 2.55 | 4640.8 | - 2.88 | 3.71 |
| 115 | 2101.0 | - 2.73 | 2743.5 | - 2.81 | 5954.7 | - 2.50 | 4024.3 | - 2.82 | 3.98 |
| 120 | 1834.9 | - 2.67 | 2388.2 | - 2.74 | 5263.2 | - 2.44 | 3501.2 | - 2.75 | 4.24 |
| 125 | 1607.3 | - 2.61 | 2085.7 | - 2.68 | 4664.8 | - 2.39 | 3055.8 | - 2.69 | 4.50 |
| 130 | 1412.2 | - 2.55 | 1827.2 | - 2.62 | 4145.4 | - 2.33 | 2675.3 | - 2.63 | 4.76 |
| 135 | 1244.2 | - 2.50 | 1605.5 | - 2.56 | 3693.3 | - 2.28 | 2349.2 | - 2.57 | 5.00 |
| 140 | 1099.3 | - 2.44 | 1414.9 | - 2.50 | 3298.7 | - 2.24 | 2068.7 | - 2.51 | 5.25 |
| 145 | 973.81 | - 2.39 | 1250.4 | - 2.44 | 2953.4 | - 2.19 | 1826.8 | - 2.46 | 5.48 |
| 150 | 864.87 | - 2.34 | 1108.0 | - 2.39 | 2650.5 | - 2.14 | 1617.5 | - 2.41 | 5.71 |



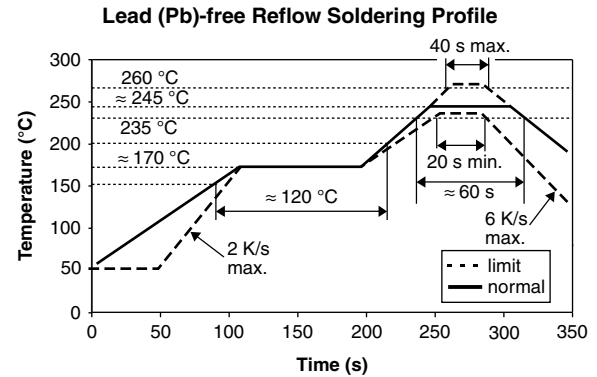
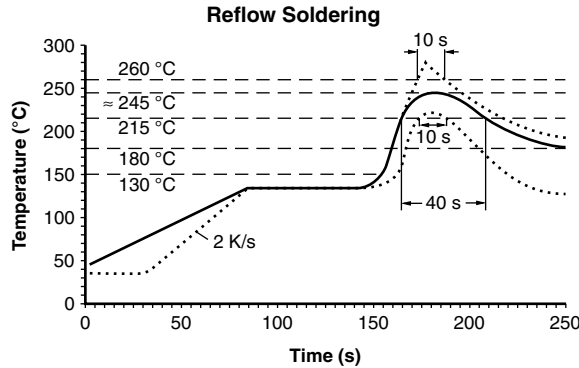
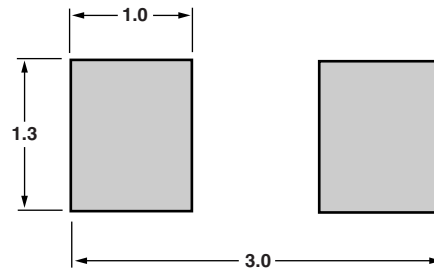
For complete Curve Computation, visit: www.vishay.com/thermistors/curve-computation-list/

| RESISTANCE VALUES AT INTERMEDIATE TEMPERATURES WITH R_{25} AT 330, 470 AND 680 kΩ | | | | | | | |
|---|---------------------------------|--------------|---------------------------------|--------------|---------------------------------|--------------|--|
| T_{OPER} [°C] | PART NUMBER NTCS0805E3334*HT | | PART NUMBER NTCS0805E3474*XT | | PART NUMBER NTCS0805E3684*XT | | $\Delta R/R$ DUE TO B_{tol} [± %] |
| | R_T [k Ω] | TCR [%/K] | R_T [k Ω] | TCR [%/K] | R_T [k Ω] | TCR [%/K] | |
| - 40 | 10 488 | - 6.53 | 16 325 | - 6.70 | 23 477 | - 6.58 | 7.58 |
| - 35 | 7608.4 | - 6.31 | 11 742 | - 6.48 | 16 980 | - 6.38 | 6.83 |
| - 30 | 5579.1 | - 6.10 | 8539.8 | - 6.26 | 12 404 | - 6.18 | 6.13 |
| - 25 | 4133.1 | - 5.90 | 6276.8 | - 6.05 | 9147.1 | - 6.00 | 5.45 |
| - 20 | 3092.0 | - 5.71 | 4660.3 | - 5.86 | 6807.4 | - 5.82 | 4.80 |
| - 15 | 2334.8 | - 5.53 | 3493.6 | - 5.67 | 5110.7 | - 5.65 | 4.18 |
| - 10 | 1778.8 | - 5.35 | 2643.2 | - 5.49 | 3869.3 | - 5.48 | 3.58 |
| - 5 | 1366.9 | - 5.19 | 2017.4 | - 5.32 | 2953.2 | - 5.33 | 3.01 |
| 0 | 1058.9 | - 5.03 | 1552.8 | - 5.15 | 2271.5 | - 5.17 | 2.46 |
| 5 | 826.75 | - 4.87 | 1204.7 | - 5.00 | 1760.2 | - 5.03 | 1.93 |
| 10 | 650.33 | - 4.73 | 941.99 | - 4.85 | 1373.89 | - 4.89 | 1.42 |
| 15 | 515.22 | - 4.59 | 741.96 | - 4.70 | 1079.7 | - 4.75 | 0.93 |
| 20 | 410.99 | - 4.45 | 588.54 | - 4.56 | 854.12 | - 4.62 | 0.46 |
| 25 | 330.00 | - 4.33 | 470.00 | - 4.43 | 680.00 | - 4.50 | 0.00 |
| 30 | 266.64 | - 4.20 | 377.77 | - 4.31 | 544.69 | - 4.38 | 0.22 |
| 35 | 216.75 | - 4.08 | 305.53 | - 4.18 | 438.89 | - 4.26 | 0.43 |
| 40 | 177.22 | - 3.97 | 248.58 | - 4.07 | 355.64 | - 4.15 | 0.64 |
| 45 | 145.70 | - 3.86 | 203.40 | - 3.96 | 289.76 | - 4.04 | 0.84 |
| 50 | 120.43 | - 3.76 | 167.35 | - 3.85 | 237.33 | - 3.94 | 1.03 |
| 55 | 100.06 | - 3.66 | 138.42 | - 3.75 | 195.38 | - 3.84 | 1.22 |
| 60 | 83.541 | - 3.56 | 115.06 | - 3.65 | 161.62 | - 3.75 | 1.40 |
| 65 | 70.081 | - 3.47 | 96.120 | - 3.55 | 134.33 | - 3.65 | 1.58 |
| 70 | 59.059 | - 3.38 | 80.672 | - 3.46 | 112.16 | - 3.56 | 1.75 |
| 75 | 49.989 | - 3.29 | 68.012 | - 3.37 | 94.052 | - 3.48 | 1.92 |
| 80 | 42.491 | - 3.21 | 57.588 | - 3.29 | 79.204 | - 3.39 | 2.08 |
| 85 | 36.265 | - 3.13 | 48.966 | - 3.20 | 66.973 | - 3.31 | 2.23 |
| 90 | 31.074 | - 3.05 | 41.803 | - 3.12 | 56.855 | - 3.24 | 2.54 |
| 95 | 26.726 | - 2.98 | 35.826 | - 3.05 | 48.449 | - 3.16 | 2.85 |
| 100 | 23.070 | - 2.91 | 30.819 | - 2.97 | 41.439 | - 3.09 | 3.14 |
| 105 | 19.985 | - 2.84 | 26.608 | - 2.90 | 35.569 | - 3.02 | 3.43 |
| 110 | 17.371 | - 2.77 | 23.053 | - 2.83 | 30.636 | - 2.95 | 3.71 |
| 115 | 15.149 | - 2.71 | 20.039 | - 2.77 | 26.474 | - 2.89 | 3.98 |
| 120 | 13.253 | - 2.64 | 17.477 | - 2.70 | 22.952 | - 2.82 | 4.24 |
| 125 | 11.630 | - 2.58 | 15.290 | - 2.64 | 19.961 | - 2.76 | 4.50 |
| 130 | 10.236 | - 2.52 | 13.417 | - 2.58 | 17.412 | - 2.70 | 4.76 |
| 135 | 9.0345 | - 2.47 | 11.808 | - 2.53 | 15.233 | - 2.65 | 5.00 |
| 140 | 7.9963 | - 2.41 | 10.422 | - 2.47 | 13.364 | - 2.59 | 5.25 |
| 145 | 7.0964 | - 2.36 | 9.2239 | - 2.42 | 11.757 | - 2.54 | 5.48 |
| 150 | 6.3142 | - 2.31 | 8.1851 | - 2.36 | 10.371 | - 2.48 | 5.71 |

SOLDERING CONDITIONS

This SMD thermistor is only suitable for wave or reflow soldering, in accordance with JEDEC J-STD-020. The maximum temperature of 260 °C during 40 seconds should not be exceeded.

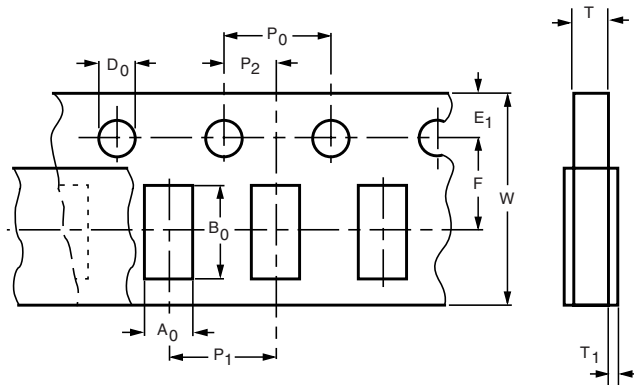
Typical examples of a soldering processes that will provide reliable joints without damage, are shown below.


Dimensions of the solder lands

TESTS AND REQUIREMENTS

| SOLDERABILITY AND RESISTANCE TO SOLDERING HEAT | | | | |
|--|-------------|------------------------------|----------------|-----------------------------|
| IEC 60068-2-58 | TEST METHOD | TEST | PROCEDURE | REQUIREMENTS |
| 6 | TC | Solderability | 2 s at 235 °C | Min. 95 % of surface wetted |
| | | Resistance to soldering heat | 10 s at 260 °C | $\Delta R/R < 5\%$ |

PACKAGING
TAPE SPECIFICATIONS

All tape specifications are in accordance with "IEC 60286-3". Basic dimensions are given below. Carrier tape material is paper.

PAPER TAPE


| PAPER TAPE DIMENSIONS in millimeters | | |
|--------------------------------------|-----------|-----------|
| PARAMETER | DIMENSION | TOLERANCE |
| A ₀ ⁽¹⁾ | 1.7 | ± 0.2 |
| B ₀ ⁽¹⁾ | 2.35 | ± 0.1 |
| W | 8.0 | ± 0.2 |
| E ₁ | 1.75 | ± 0.1 |
| F | 3.5 | ± 0.05 |
| D ₀ | 1.55 | ± 0.05 |
| P ₀ ⁽²⁾ | 4.0 | ± 0.1 |
| P ₁ | 4.0 | ± 0.1 |
| P ₂ | 2.0 | ± 0.05 |
| T tape thickness | 1.1 | max. |
| T ₁ cover tape | < 0.1 | - |

Notes

⁽¹⁾ Measured 0.3 mm above base pocket

⁽²⁾ P₀ pitch cumulative error over any 10 pitches ± 1.0 mm



Disclaimer

All product specifications and data are subject to change without notice.

Vishay Intertechnology, Inc., its affiliates, agents, and employees, and all persons acting on its or their behalf (collectively, "Vishay"), disclaim any and all liability for any errors, inaccuracies or incompleteness contained herein or in any other disclosure relating to any product.

Vishay disclaims any and all liability arising out of the use or application of any product described herein or of any information provided herein to the maximum extent permitted by law. The product specifications do not expand or otherwise modify Vishay's terms and conditions of purchase, including but not limited to the warranty expressed therein, which apply to these products.

No license, express or implied, by estoppel or otherwise, to any intellectual property rights is granted by this document or by any conduct of Vishay.

The products shown herein are not designed for use in medical, life-saving, or life-sustaining applications unless otherwise expressly indicated. Customers using or selling Vishay products not expressly indicated for use in such applications do so entirely at their own risk and agree to fully indemnify Vishay for any damages arising or resulting from such use or sale. Please contact authorized Vishay personnel to obtain written terms and conditions regarding products designed for such applications.

Product names and markings noted herein may be trademarks of their respective owners.