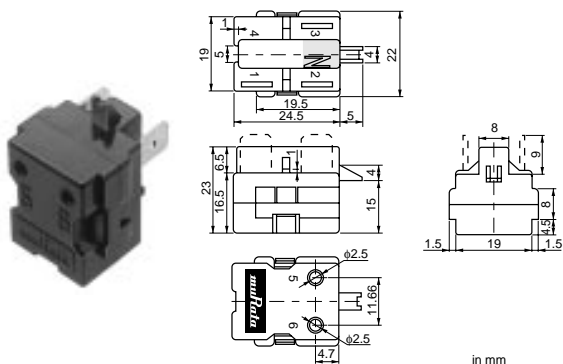


PTC (POSISTOR[®]) for Motor Starters

● Plug in Type PTH7M Series

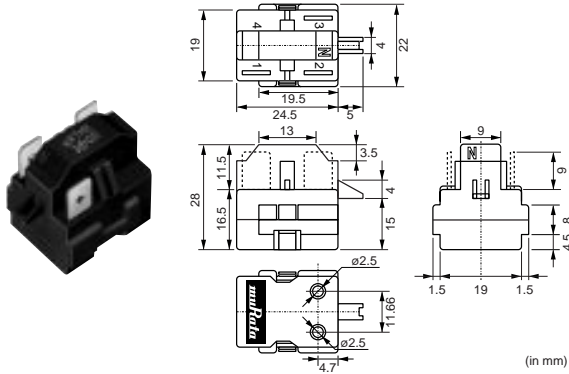


in mm

Part Number	Resistance Value (at 25°C) (ohm)	Max. Volt. (V)	Max. Current (A)	Operating Time Char. (25°C) (s)	Starting System
PTH7M4R7MB3-00	4.7 ±20%	180	12	0.7 to 2.2(150V,25ohm)	CSR
PTH7M4R7MC1-00	4.7 ±20%	180	12	0.7 to 2.2(150V,25ohm)	RSIR
PTH7M4R7MC2-00	4.7 ±20%	180	12	0.7 to 2.2(150V,25ohm)	RSIR
PTH7M4R7MD2-00	4.7 ±20%	180	12	0.7 to 2.2(150V,25ohm)	RSCR
PTH7M4R7MD3-00	4.7 ±20%	180	12	0.7 to 2.2(150V,25ohm)	RSCR
PTH7M6R8MB3-00	6.8 ±20%	200	10	0.6 to 1.8(150V,25ohm)	CSR
PTH7M6R8MC1-00	6.8 ±20%	200	10	0.6 to 1.8(150V,25ohm)	RSIR
PTH7M6R8MC2-00	6.8 ±20%	200	10	0.6 to 1.8(150V,25ohm)	RSIR
PTH7M6R8MD2-00	6.8 ±20%	200	10	0.6 to 1.8(150V,25ohm)	RSCR
PTH7M6R8MD3-00	6.8 ±20%	200	10	0.6 to 1.8(150V,25ohm)	RSCR
PTH7M100MB3-00	10 ±20%	225	9	0.45 to 1.35(150V,25ohm)	CSR
PTH7M100MC1-00	10 ±20%	225	9	0.45 to 1.35(150V,25ohm)	RSIR
PTH7M100MC2-00	10 ±20%	225	9	0.45 to 1.35(150V,25ohm)	RSIR
PTH7M100MD2-00	10 ±20%	225	9	0.45 to 1.35(150V,25ohm)	RSCR
PTH7M100MD3-00	10 ±20%	225	9	0.45 to 1.35(150V,25ohm)	RSCR
PTH7M330MB3-00	33 ±20%	355	6	0.3 to 1(280V,55ohm)	CSR
PTH7M330MC1-00	33 ±20%	355	6	0.3 to 1(280V,55ohm)	RSIR
PTH7M330MC2-00	33 ±20%	355	6	0.3 to 1(280V,55ohm)	RSIR
PTH7M330MD2-00	33 ±20%	355	6	0.3 to 1(280V,55ohm)	RSCR
PTH7M330MD3-00	33 ±20%	355	6	0.3 to 1(280V,55ohm)	RSCR

Please contact us when you need UL and VDE approved models other than the above mentioned types.

● Plug in Type PTH8M Series



Part Number	Resistance Value (at 25°C) (ohm)	Max. Volt. (V)	Max. Current (A)	Operating Time Char. (25°C) (s)	Starting System
PTH8M4R7MB3-00	4.7 ±20%	180	12	1.5 to 3.5(150V,25ohm)	CSR
PTH8M4R7MC1-00	4.7 ±20%	180	12	1.5 to 3.5(150V,25ohm)	RSIR
PTH8M4R7MC2-00	4.7 ±20%	180	12	1.5 to 3.5(150V,25ohm)	RSIR
PTH8M4R7MD2-00	4.7 ±20%	180	12	1.5 to 3.5(150V,25ohm)	RSCR
PTH8M4R7MD3-00	4.7 ±20%	180	12	1.5 to 3.5(150V,25ohm)	RSCR
PTH8M6R8MB3-00	6.8 ±20%	200	10	1.1 to 2.7(150V,25ohm)	CSR
PTH8M6R8MC1-00	6.8 ±20%	200	10	1.1 to 2.7(150V,25ohm)	RSIR
PTH8M6R8MC2-00	6.8 ±20%	200	10	1.1 to 2.7(150V,25ohm)	RSIR
PTH8M6R8MD2-00	6.8 ±20%	200	10	1.1 to 2.7(150V,25ohm)	RSCR
PTH8M6R8MD3-00	6.8 ±20%	200	10	1.1 to 2.7(150V,25ohm)	RSCR
PTH8M100MB3-00	10 ±20%	225	9	0.6 to 2.1(150V,25ohm)	CSR
PTH8M100MC1-00	10 ±20%	225	9	0.6 to 2.1(150V,25ohm)	RSIR
PTH8M100MC2-00	10 ±20%	225	9	0.6 to 2.1(150V,25ohm)	RSIR
PTH8M100MD2-00	10 ±20%	225	9	0.6 to 2.1(150V,25ohm)	RSCR
PTH8M100MD3-00	10 ±20%	225	9	0.6 to 2.1(150V,25ohm)	RSCR
PTH8M330MB3-00	33 ±20%	355	6	0.45 to 1.35(280V,55ohm)	CSR
PTH8M330MC1-00	33 ±20%	355	6	0.45 to 1.35(280V,55ohm)	RSIR
PTH8M330MC2-00	33 ±20%	355	6	0.45 to 1.35(280V,55ohm)	RSIR
PTH8M330MD2-00	33 ±20%	355	6	0.45 to 1.35(280V,55ohm)	RSCR
PTH8M330MD3-00	33 ±20%	355	6	0.45 to 1.35(280V,55ohm)	RSCR

Please contact us when you need UL and VDE approved models other than the above mentioned types.