

Surface Mount, NTC Thermistors



FEATURES

- TCR from 6 to 2 %/K even at high temperatures
- Tolerance on R_{25} down to 1 %, and on $B_{25/85}$ down to 1 %
- Suitable for wave or reflow soldering
- NiSn terminations
- Fully glass coated
- Old part number was 2322 615 5....
- Component in accordance to RoHS 2002/95/EC and WEEE 2002/96/EC

APPLICATIONS

- Temperature compensation, sensing and protection in, for example:
 - Battery chargers
 - Consumer equipment
 - Office equipment

DESCRIPTION

Size 0805 chip thermistors with a negative temperature coefficient. The device has no marking.

PACKAGING

Available in 8 mm punched paper tape on reel package of 4000 units.

QUICK REFERENCE DATA

PARAMETER	VALUE
Resistance value at 25 °C	2.2 k Ω to 680 k Ω
Tolerance on R_{25} - value	± 2 %; ± 3 %; ± 5 %; ± 10 %
Tolerance on $B_{25/85}$ - value	see table below
Maximum dissipation at 25 °C	210 mW
Thermal time constant τ	≈ 8 s
Operating temperature range	- 40 to + 150 °C
R/T values	see tables
Climatic category	40/125/56
Mass	≈ 0.0095 g

ELECTRICAL DATA AND ORDERING INFORMATION

R_{25} - VALUE (k Ω)	$B_{25/85}$ - VALUE (K)	TOLERANCE ON $B_{25/85}$ (%)	12NC ORDERING CODE 2381 615 5.... ¹⁾	SAP MATERIAL NO. NTCS0805E3... ²⁾
2.2	3600	± 1	*222	222*MT
4.7	3500	± 1	*472	472*MT
10	3570	± 3	*103	103*MT
15	3700	± 1	*153	153*MT
22	3800	± 1	*223	223*HT
33	3920	± 1	*333	333*HT
47	3960	± 1	*473	473*HT
68	4100	± 1	*683	683*XT
100	4100	± 1	*104	104*XT
330	3930	± 1	*334	334*HT
470	4025	± 1	*474	474*XT
680	4125	± 1	*684	684*XT

Note

1. replace * in 12NC by 3 for 5 %, 6 for 3 %, 4 for 2 %
2. replace * in SAP part no by J for 5 %, H for 3 %, G for 2 %, F for 1 % tolerance on R_{25} °C

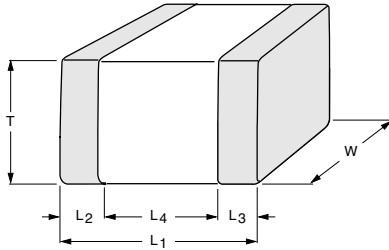
2381 615 5..../NTCS0805E3.....T



Vishay BCcomponents

Surface Mount, NTC Thermistors

DIMENSIONS in millimeters



L ₁	W	T	L ₂ and L ₃ MIN.	L ₄ MIN.
2.0 ± 0.2	1.25 ± 0.15	0.8 ± 0.15	0.2	0.55

RESISTANCE VALUES AT INTERMEDIATE TEMPERATURES WITH R ₂₅ AT 2.2 kΩ			
T _{OPER} (°C)	CATALOG NUMBER 2381 615 5*222 OR SAP NO. NTCS0805E3222*MT		
	R _T (Ω)	TCR (%/K)	ΔR/R DUE TO B-TOLERANCE (%)
-40	57 658	- 6.26	7.58
-35	42 410	- 6.03	6.83
-30	31 537	- 5.82	6.13
-25	23 698	- 5.61	5.45
-20	17 986	- 5.42	4.80
-15	13 782	- 5.23	4.18
-10	10 657	- 5.06	3.58
-5	8312	- 4.89	3.01
0	6537	- 4.72	2.46
5	5182	- 4.57	1.93
10	4139	- 4.42	1.42
15	3330	- 4.28	0.93
20	2698	- 4.14	0.46
25	2200	- 4.02	0.00
30	1805	- 3.89	0.22
35	1491	- 3.77	0.43
40	1238	- 3.66	0.64
45	1034	- 3.55	0.84
50	868	- 3.45	1.03
55	732	- 3.35	1.22
60	621.0	- 3.25	1.40
65	529.0	- 3.16	1.58
70	452.7	- 3.07	1.75
75	389.1	- 2.99	1.92
80	335.8	- 2.90	2.08
85	291.0	- 2.83	2.23
90	253.2	- 2.75	2.54
95	221.0	- 2.68	2.85
100	193.7	- 2.61	3.14
105	170.3	- 2.54	3.43
110	150.2	- 2.48	3.71
115	132.9	- 2.41	3.98
120	118.0	- 2.35	4.24
125	105.0	- 2.20	4.50
130	93.80	- 2.24	4.76
135	83.94	- 2.19	5.00
140	75.35	- 2.13	5.25
145	67.81	- 2.08	5.48
150	61.17	- 2.04	5.71

**RESISTANCE VALUES AT INTERMEDIATE TEMPERATURES WITH R₂₅ AT 4.7 kΩ**

T _{OPER} (°C)	CATALOG NUMBER 2381 615 5*472 OR SAP NO. NTCS0805E3472*MT		
	R _T (Ω)	TCR (%/K)	ΔR/R DUE TO B-TOLERANCE (%)
- 40	101 275	- 5.75	7.58
- 35	76 325	- 5.57	6.83
- 30	58 034	- 5.39	6.13
- 25	44 505	- 5.22	5.45
- 20	43 413	- 5.06	4.80
- 15	26 821	- 4.91	4.18
- 10	21 065	- 7.76	3.58
- 5	16 667	- 4.61	3.01
0	13 280	- 4.47	2.46
5	10 654	- 4.34	1.93
10	8603	- 4.21	1.42
15	6991	- 4.09	0.93
20	5716	- 3.97	0.46
25	4700	- 3.86	0.00
30	3887	- 3.75	0.22
35	3231	- 3.64	0.43
40	2700	- 3.54	0.64
45	2268	- 3.44	0.84
50	1914	- 3.35	1.03
55	1623	- 3.26	1.22
60	1381.7	- 3.17	1.40
65	1181.7	- 3.09	1.58
70	1014.7	- 3.01	1.75
75	874.8	- 2.93	1.92
80	757.1	- 2.85	2.08
85	657.7	- 2.78	2.23
90	573.3	- 2.71	2.54
95	501.5	- 2.64	2.85
100	440.1	- 2.58	3.14
105	387.5	- 2.52	3.43
110	342.2	- 2.46	3.71
115	303.1	- 2.40	3.98
120	269.2	- 2.34	4.24
125	239.8	- 2.29	4.50
130	214.2	- 2.23	4.76
135	191.82	- 2.18	5.00
140	172.20	- 2.13	5.25
145	154.96	- 2.09	5.48
150	139.78	- 2.04	5.71

RESISTANCE VALUES AT INTERMEDIATE TEMPERATURES WITH R₂₅ AT 10 kΩ

T _{OPER} (°C)	CATALOG NUMBER 2381 615 5*103 OR SAP NO. NTCS0805E3103*MT		
	R _T (Ω)	TCR (%/K)	ΔR/R DUE TO B-TOLERANCE (%)
- 40	232 634	- 5.92	11.22
- 35	173 538	- 5.71	10.14
- 30	130 769	- 5.51	9.10
- 25	99 489	- 5.33	8.11
- 20	76 385	- 5.15	7.15
- 15	59 157	- 4.98	6.24
- 10	46 194	- 4.82	5.35
- 5	36 356	- 4.67	4.50
0	28 829	- 4.52	3.68
5	23 025	- 4.38	2.89
10	18 515	- 4.25	2.13



RESISTANCE VALUES AT INTERMEDIATE TEMPERATURES WITH R₂₅ AT 10 kΩ				
T _{OPER} (°C)	CATALOG NUMBER 2381 615 5*103 OR SAP NO. NTCS0805E3103*MT			
	R _T (Ω)	TCR (%/K)	ΔR/R DUE TO B-TOLERANCE (%)	
15	14 986	- 4.12	1.40	
20	12 205	- 4.00	0.69	
25	10 000	- 3.88	0.00	
30	8240	- 3.77	0.66	
35	6827	- 3.66	1.31	
40	5687	- 3.56	1.93	
45	4760	- 3.46	2.53	
50	4004.16	- 3.37	3.11	
55	3383.77	- 3.28	3.68	
60	2872.26	- 3.19	4.23	
65	2448.52	- 3.11	4.76	
70	2095.90	- 3.03	5.28	
75	1801.17	- 2.95	5.78	
80	1553.80	- 2.88	6.27	
85	1345.33	- 2.81	6.74	
90	1168.95	- 2.74	7.20	
95	1019.16	- 2.67	7.65	
100	891.48	- 2.61	8.09	
105	782.28	- 2.54	8.51	
110	688.56	- 2.48	8.93	
115	607.85	- 2.43	9.33	
120	538.14	- 2.37	9.73	
125	477.73	- 2.32	10.11	
130	425.24	- 2.26	10.48	
135	379.49	- 2.21	10.85	
140	339.51	- 2.17	11.20	
145	304.47	- 2.12	11.55	
150	273.69	- 2.07	11.89	

RESISTANCE VALUES AT INTERMEDIATE TEMPERATURES WITH R₂₅ AT 15 kΩ				
T _{OPER} (°C)	CATALOG NUMBER 2381 615 5*153 OR SAP NO. NTCS0805E3153*MT			
	R _T (Ω)	TCR (%/K)	ΔR/R DUE TO B-TOLERANCE (%)	
- 40	391 251	- 6.14	11.22	
- 35	289 245	- 5.94	10.14	
- 30	215 960	- 5.75	9.10	
- 25	162 779	- 5.56	8.11	
- 20	123 815	- 5.38	7.15	
- 15	95 001	- 5.21	6.24	
- 10	73 505	- 5.05	5.35	
- 5	57 329	- 4.89	4.50	
0	45 058	- 4.74	3.68	
5	35 674	- 4.60	2.89	
10	28 445	- 4.46	2.13	
15	22 834	- 4.33	1.40	
20	18 450	- 4.20	0.69	
25	15 000	- 4.08	0.00	
30	12 268	- 3.96	0.66	
35	10 092	- 3.85	1.31	
40	8347	- 3.74	1.93	
45	6941	- 3.64	2.53	
50	5801.08	- 3.54	3.11	
55	4872.07	- 3.44	3.68	
60	4111.09	- 3.35	4.23	
65	3484.70	- 3.26	4.76	
70	2966.62	- 3.18	5.28	
75	2536.16	- 3.09	5.78	

**RESISTANCE VALUES AT INTERMEDIATE TEMPERATURES WITH R₂₅ AT 15 k Ω**

T _{OPER} (°C)	CATALOG NUMBER 2381 615 5*153 OR SAP NO. NTCS0805E3153*MT		
	R _T (Ω)	TCR (%/K)	$\Delta R/R$ DUE TO B-TOLERANCE (%)
80	2176.92	- 3.02	6.27
85	1875.84	- 2.94	6.74
90	1622.46	- 2.87	7.20
95	1408.39	- 2.79	7.65
100	1226.82	- 2.73	8.09
105	1072.25	- 2.66	8.51
110	940.20	- 2.60	8.93
115	827.00	- 2.54	9.33
120	729.62	- 2.48	9.73
125	645.60	- 2.42	10.11
130	572.86	- 2.36	10.48
135	509.71	- 2.31	10.85
140	454.71	- 2.26	11.20
145	406.69	- 2.21	11.55
150	364.64	- 2.16	11.89

RESISTANCE VALUES AT INTERMEDIATE TEMPERATURES WITH R₂₅ AT 22 k Ω

T _{OPER} (°C)	CATALOG NUMBER 2381 615 5*223 OR SAP NO. NTCS0805E3223*HT		
	R _T (Ω)	TCR (%/K)	$\Delta R/R$ DUE TO B-TOLERANCE (%)
- 40	641 004	- 6.40	11.22
- 35	468 038	- 6.18	10.14
- 30	345 469	- 5.97	9.10
- 25	257 644	- 5.77	8.11
- 20	194 045	- 5.57	7.15
- 15	147 521	- 5.39	6.24
- 10	113 159	- 5.22	5.35
- 5	87 544	- 5.05	4.50
0	68 281	- 4.89	3.68
5	53 672	- 4.74	2.89
10	42 503	- 4.59	2.13
15	33 898	- 4.46	1.40
20	27 220	- 4.32	0.69
25	22 000	- 4.20	0.00
30	17 892	- 4.07	0.66
35	14 638	- 3.96	1.31
40	12 045	- 3.84	1.93
45	9965	- 3.74	2.53
50	8288.27	- 3.63	3.11
55	6928.39	- 3.54	3.68
60	5819.79	- 3.44	4.23
65	4911.40	- 3.35	4.76
70	4163.41	- 3.26	5.28
75	3544.57	- 3.18	5.78
80	3030.24	- 3.10	6.27
85	2600.91	- 3.02	6.74
90	2240.99	- 2.94	7.20
95	1938.04	- 2.87	7.65
100	1682.03	- 2.80	8.09
105	1464.87	- 2.73	8.51
110	1279.99	- 2.67	8.93
115	1122.02	- 2.60	9.33
120	986.60	- 2.54	9.73
125	870.11	- 2.48	10.11
130	769.60	- 2.43	10.48
135	682.59	- 2.37	10.85

**RESISTANCE VALUES AT INTERMEDIATE TEMPERATURES WITH R₂₅ AT 22 kΩ**

T _{OPER} (°C)	CATALOG NUMBER 2381 615 5*223 OR SAP NO. NTCS0805E3223*HT		
	R _T (Ω)	TCR (%/K)	ΔR/R DUE TO B-TOLERANCE (%)
140	607.05	- 2.32	11.20
145	541.28	- 2.27	11.55
150	483.86	- 2.22	11.89

RESISTANCE VALUES AT INTERMEDIATE TEMPERATURES WITH R₂₅ AT 33 kΩ

T _{OPER} (°C)	CATALOG NUMBER 2381 615 5*333 OR SAP NO. NTCS0805E3333*HT		
	R _T (Ω)	TCR (%/K)	ΔR/R DUE TO B-TOLERANCE (%)
- 40	1 116 205	- 6.79	7.58
- 35	800 263	- 6.53	6.83
- 30	581 009	- 6.28	6.13
- 25	426 845	- 6.05	5.45
- 20	317 101	- 5.84	4.80
- 15	238 064	- 5.63	4.18
- 10	180 512	- 5.44	3.58
- 5	138 166	- 5.26	3.01
0	106 700	- 5.08	2.46
5	83 100	- 4.92	1.93
10	65 241	- 4.76	1.42
15	51 612	- 4.61	0.93
20	41 127	- 4.47	0.46
25	33 000	- 4.34	0.00
30	26 654	- 4.21	0.22
35	21 664	- 4.08	0.43
40	17 714	- 3.97	0.64
45	14 568	- 3.86	0.84
50	12 046	- 3.75	1.03
55	10 014	- 3.65	1.22
60	8365.9	- 3.55	1.40
65	7023.2	- 3.45	1.58
70	5923.3	- 3.36	1.75
75	5018.0	- 3.27	1.92
80	4269.1	- 3.19	2.08
85	3647.0	- 3.11	2.23
90	3127.8	- 3.03	2.54
95	2692.7	- 2.96	2.85
100	2326.6	- 2.89	3.14
105	2017.4	- 2.82	3.43
110	1755.2	- 2.75	3.71
115	1532.1	- 2.69	3.98
120	1341.6	- 2.63	4.24
125	1178.3	- 2.57	4.50
130	1038.0	- 2.51	4.76
135	916.94	- 2.45	5.00
140	812.24	- 2.40	5.25
145	721.40	- 2.35	5.48
150	642.37	- 2.30	5.71

RESISTANCE VALUES AT INTERMEDIATE TEMPERATURES WITH R₂₅ AT 47 kΩ

T _{OPER} (°C)	CATALOG NUMBER 2381 615 5*473 OR SAP NO. NTCS0805E3473*HT		
	R _T (Ω)	TCR (%/K)	ΔR/R DUE TO B-TOLERANCE (%)
- 40	1 521 799	- 6.60	7.58
- 35	1 100 680	- 6.37	6.83
- 30	805 081	- 6.15	6.13
- 25	595 168	- 5.94	5.45



RESISTANCE VALUES AT INTERMEDIATE TEMPERATURES WITH R₂₅ AT 47 kΩ			
T _{OPER} (°C)	CATALOG NUMBER 2381 615 5*473 OR SAP NO. NTCS0805E3473*HT		
	R _T (Ω)	TCR (%/K)	ΔR/R DUE TO B-TOLERANCE (%)
- 20	444 453	- 5.74	4.80
- 15	335 105	- 5.56	4.18
- 10	254 976	- 5.38	3.58
- 5	195 699	- 5.21	3.01
0	151 452	- 5.05	2.46
5	118 137	- 4.89	1.93
10	92 847	- 4.74	1.42
15	73 497	- 4.60	0.93
20	58 581	- 4.47	0.46
25	47 000	- 4.34	0.00
30	37 946	- 4.22	0.22
35	30 822	- 4.10	0.43
40	25 180	- 3.99	0.64
45	20 684	- 3.88	0.84
50	17 082	- 3.78	1.03
55	14 179	- 3.68	1.22
60	11827.4	- 3.58	1.40
65	9912.2	- 3.49	1.58
70	8344.7	- 3.40	1.75
75	7055.8	- 3.31	1.92
80	5990.9	- 3.23	2.08
85	5107.4	- 3.15	2.23
90	4371.0	- 3.08	2.54
95	3754.9	- 3.00	2.85
100	3237.3	- 2.93	3.14
105	2800.8	- 2.86	3.43
110	2431.3	- 2.80	3.71
115	2117.4	- 2.73	3.98
120	1849.8	- 2.67	4.24
125	1620.9	- 2.61	4.50
130	1424.6	- 2.55	4.76
135	1255.53	- 2.50	5.00
140	1109.60	- 2.44	5.25
145	983.22	- 2.39	5.48
150	873.49	- 2.34	5.71

RESISTANCE VALUES AT INTERMEDIATE TEMPERATURES WITH R₂₅ AT 68 kΩ			
T _{OPER} (°C)	CATALOG NUMBER 2381 615 5*683 OR SAP NO. NTCS0805E3683*XT		
	R _T (Ω)	TCR (%/K)	ΔR/R DUE TO B-TOLERANCE (%)
- 40	2 596 437	- 6.92	7.58
- 35	1 848 208	- 6.68	6.83
- 30	1 331 164	- 6.45	6.13
- 25	969 559	- 6.23	5.45
- 20	713 753	- 6.02	4.80
- 15	530 805	- 5.82	4.18
- 10	398 593	- 5.64	3.58
- 5	302 091	- 5.45	3.01
0	230 981	- 5.28	2.46
5	178 104	- 5.12	1.93
10	138 441	- 4.96	1.42
15	108 442	- 4.81	0.93
20	85 571	- 4.67	0.46
25	68 000	- 4.53	0.00
30	54 403	- 4.40	0.22
35	43 806	- 4.27	0.43
40	35 493	- 4.15	0.64



RESISTANCE VALUES AT INTERMEDIATE TEMPERATURES WITH R₂₅ AT 68 kΩ			
T _{OPER} (°C)	CATALOG NUMBER 2381 615 5*683 OR SAP NO. NTCS0805E3683*XT		
	R _T (Ω)	TCR (%/K)	ΔR/R DUE TO B-TOLERANCE (%)
45	28 928	- 4.03	0.84
50	23 712.10	- 3.92	1.03
55	19 543.12	- 3.81	1.22
60	16 191.85	- 3.71	1.40
65	13 483.03	- 3.61	1.58
70	11 281.91	- 3.52	1.75
75	9484.20	- 3.43	1.92
80	8008.76	- 3.34	2.08
85	6792.08	- 3.25	2.23
90	5784.22	- 3.17	2.54
95	4945.65	- 3.09	2.85
100	4244.99	- 3.02	3.14
105	3657.17	- 2.94	3.43
110	3162.06	- 2.87	3.71
115	2743.45	- 2.81	3.98
120	2388.22	- 2.74	4.24
125	2085.71	- 2.68	4.50
130	1827.19	- 2.62	4.76
135	1605.54	- 2.56	5.00
140	1414.89	- 2.50	5.25
145	1250.39	- 2.44	5.48
150	1108.03	- 2.39	5.71

RESISTANCE VALUES AT INTERMEDIATE TEMPERATURES WITH R₂₅ AT 100 kΩ			
T _{OPER} (°C)	CATALOG NUMBER 2381 615 5*104 OR SAP NO. NTCS0805E3104*XT		
	R _T (Ω)	TCR (%/K)	ΔR/R DUE TO B-TOLERANCE (%)
- 40	3 833 689	- 6.96	7.58
- 35	2 724 206	- 6.71	6.83
- 30	1 959 612	- 6.47	6.13
- 25	1 426 014	- 6.25	5.45
- 20	1 049 150	- 6.03	4.80
- 15	779 950	- 5.83	4.18
- 10	585 575	- 5.64	3.58
- 5	443 786	- 5.45	3.01
0	339 343	- 5.28	2.46
5	261 695	- 5.11	1.93
10	203 455	- 4.96	1.42
15	159 402	- 4.81	0.93
20	125 811	- 4.66	0.46
25	100 000	- 4.52	0.00
30	80 021	- 4.39	0.22
35	64 447	- 4.27	0.43
40	52 224	- 4.15	0.64
45	42 570	- 4.03	0.84
50	34 897	- 3.92	1.03
55	28 763	- 3.81	1.22
60	23 830	- 3.71	1.40
65	19 842.4	- 3.61	1.58
70	16 601.3	- 3.52	1.75
75	13 953.8	- 3.43	1.92
80	11 780.6	- 3.34	2.08
85	9988.4	- 3.26	2.23
90	8503.6	- 3.18	2.54
95	7268.2	- 3.10	2.85
100	6236.0	- 3.03	3.14
105	5370.1	- 2.95	3.43



RESISTANCE VALUES AT INTERMEDIATE TEMPERATURES WITH R₂₅ AT 100 kΩ			
T _{OPER} (°C)	CATALOG NUMBER 2381 615 5*104 OR SAP NO. NTCS0805E3104*XT		
	R _T (Ω)	TCR (%/K)	ΔR/R DUE TO B-TOLERANCE (%)
110	4640.8	- 2.88	3.71
115	4024.3	- 2.82	3.98
120	3501.2	- 2.75	4.24
125	3055.8	- 2.69	4.50
130	2675.3	- 2.63	4.76
135	2349.16	- 2.57	5.00
140	2068.70	- 2.51	5.25
145	1826.80	- 2.46	5.48
150	1617.53	- 2.41	5.71

RESISTANCE VALUES AT INTERMEDIATE TEMPERATURES WITH R₂₅ AT 330 kΩ			
T _{OPER} (°C)	CATALOG NUMBER 2381 615 5*334 OR SAP NO. NTCS0805E3334*HT		
	R _T (Ω)	TCR (%/K)	ΔR/R DUE TO B-TOLERANCE (%)
- 40	10 487 886	- 6.53	7.58
- 35	7 608 431	- 6.31	6.83
- 30	5 579 063	- 6.10	6.13
- 25	4 133 083	- 5.90	5.45
- 20	3 091 952	- 5.71	4.80
- 15	2 334 781	- 5.53	4.18
- 10	1 778 826	- 5.35	3.58
- 5	1 366 860	- 5.19	3.01
0	1 058 900	- 5.03	2.46
5	826 748	- 4.87	1.93
10	650 328	- 4.73	1.42
15	515 223	- 4.59	0.93
20	410 989	- 4.45	0.46
25	330 000	- 4.33	0.00
30	266 642	- 4.20	0.22
35	216 752	- 4.08	0.43
40	177 219	- 3.97	0.64
45	145 704	- 3.86	0.84
50	120 433.64	- 3.76	1.03
55	100 058.09	- 3.66	1.22
60	83 540.50	- 3.56	1.40
65	70 081.02	- 3.47	1.58
70	59 058.74	- 3.38	1.75
75	49 988.97	- 3.29	1.92
80	42 491.26	- 3.21	2.08
85	36 265.45	- 3.13	2.23
90	31 073.52	- 3.05	2.54
95	26 725.79	- 2.98	2.85
100	23 070.38	- 2.91	3.14
105	19 985.16	- 2.84	3.43
110	17 371.44	- 2.77	3.71
115	15 149.15	- 2.71	3.98
120	13 253.08	- 2.64	4.24
125	11 629.86	- 2.58	4.50
130	10 235.70	- 2.52	4.76
135	9034.48	- 2.47	5.00
140	7996.32	- 2.41	5.25
145	7096.44	- 2.36	5.48
150	6314.17	- 2.31	5.71


RESISTANCE VALUES AT INTERMEDIATE TEMPERATURES WITH R₂₅ AT 470 kΩ

T _{OPER} (°C)	CATALOG NUMBER 2381 615 5*474 OR SAP NO. NTCS0805E3474*XT		
	R _T (Ω)	TCR (%/K)	ΔR/R DUE TO B-TOLERANCE (%)
- 40	16 324 913	- 6.70	7.58
- 35	11 742 019	- 6.48	6.83
- 30	8 539 774	- 6.26	6.13
- 25	6 276 830	- 6.05	5.45
- 20	4 660 312	- 5.86	4.80
- 15	3 493 589	- 5.67	4.18
- 10	2 643 155	- 5.49	3.58
- 5	2 017 389	- 5.32	3.01
0	1 552 759	- 5.15	2.46
5	1 204 778	- 5.00	1.93
10	941 992	- 4.85	1.42
15	741 961	- 4.70	0.93
20	588 538	- 4.56	0.46
25	470 000	- 4.43	0.00
30	377 772	- 4.31	0.22
35	305 531	- 4.18	0.43
40	248 579	- 4.07	0.64
45	203 402	- 3.96	0.84
50	167 350.17	- 3.85	1.03
55	138 415.65	- 3.75	1.22
60	115 064.97	- 3.65	1.40
65	96 120.34	- 3.55	1.58
70	80 671.71	- 3.46	1.75
75	68 011.83	- 3.37	1.92
80	57 588.01	- 3.29	2.08
85	48 965.99	- 3.20	2.23
90	41 802.84	- 3.12	2.54
95	35 826.37	- 3.05	2.85
100	30 819.49	- 2.97	3.14
105	26 608.25	- 2.90	3.43
110	23 052.64	- 2.83	3.71
115	20 039.47	- 2.77	3.98
120	17 476.84	- 2.70	4.24
125	15 289.84	- 2.64	4.50
130	13 417.16	- 2.58	4.76
135	11 808.44	- 2.53	5.00
140	10 422.13	- 2.47	5.25
145	9223.86	- 2.42	5.48
150	8185.07	- 2.36	5.71

RESISTANCE VALUES AT INTERMEDIATE TEMPERATURES WITH R₂₅ AT 680 kΩ

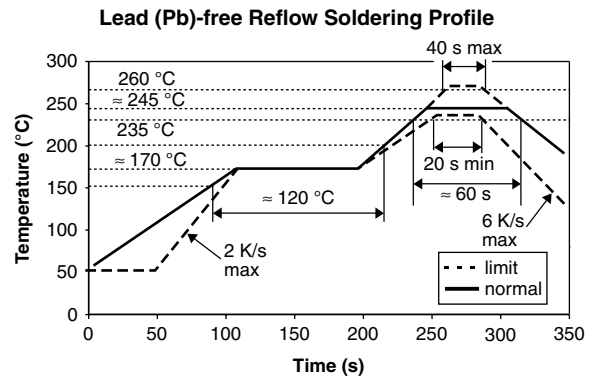
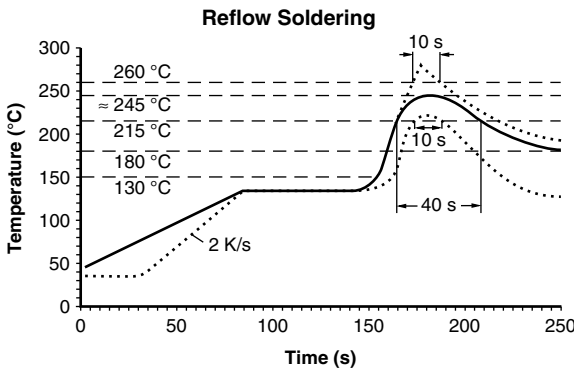
T _{OPER} (°C)	CATALOG NUMBER 2381 615 5*684 OR SAP NO. NTCS0805E3684*XT		
	R _T (Ω)	TCR (%/K)	ΔR/R DUE TO B-TOLERANCE (%)
- 40	23 477 070.48	- 6.58	7.58
- 35	16 980 387.40	- 6.38	6.83
- 30	12 403 723.50	- 6.18	6.13
- 25	9 147 128.87	- 6.00	5.45
- 20	6 807 381.82	- 5.82	4.80
- 15	5 110 686.48	- 5.65	4.18
- 10	3 869 280.20	- 5.48	3.58
- 5	2 953 163.91	- 5.33	3.01
0	2 271 498.26	- 5.17	2.46
5	1 760 240.58	- 5.03	1.93
10	1 373 851.20	- 4.89	1.42
15	1 079 678.54	- 4.75	0.93
20	854 123.99	- 4.62	0.46

RESISTANCE VALUES AT INTERMEDIATE TEMPERATURES WITH R ₂₅ AT 680 kΩ			
CATALOG NUMBER 2381 615 5*684 OR SAP NO. NTCS0805E3684*XT			
T _{OPER} (°C)	R _T (Ω)	TCR (%/K)	ΔR/R DUE TO B-TOLERANCE (%)
25	680 000.00	- 4.50	0.00
30	544 694.97	- 4.38	0.22
35	438 888.31	- 4.26	0.43
40	355 643.75	- 4.15	0.64
45	289 764.74	- 4.04	0.84
50	237 332.90	- 3.94	1.03
55	195 375.08	- 3.84	1.22
60	161 621.74	- 3.75	1.40
65	134 330.27	- 3.65	1.58
70	112 155.08	- 3.56	1.75
75	94 051.50	- 3.48	1.92
80	79 204.16	- 3.39	2.08
85	66 973.40	- 3.31	2.23
90	56 854.96	- 3.24	2.54
95	48 449.34	- 3.16	2.85
100	41 438.65	- 3.09	3.14
105	35 568.72	- 3.02	3.43
110	30 635.51	- 2.95	3.71
115	26 474.48	- 2.89	3.98
120	22 952.42	- 2.82	4.24
125	19 961.06	- 2.76	4.50
130	17 412.04	- 2.70	4.76
135	15 233.00	- 2.65	5.00
140	13 364.46	- 2.59	5.25
145	11 757.37	- 2.54	5.48
150	10 371.09	- 2.48	5.71

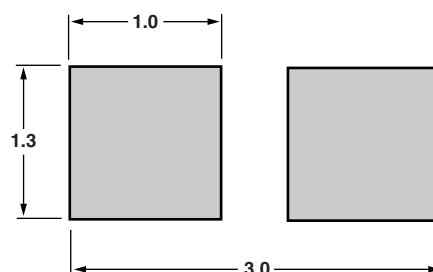
SOLDERING CONDITIONS

This SMD thermistor is only suitable for wave or reflow soldering, in accordance with "CECC 00802". The maximum temperature of 260 °C during 40 s should not be exceeded.

Typical examples of a soldering processes that will provide reliable joints without damage, are shown below.



Dimensions of the solder lands

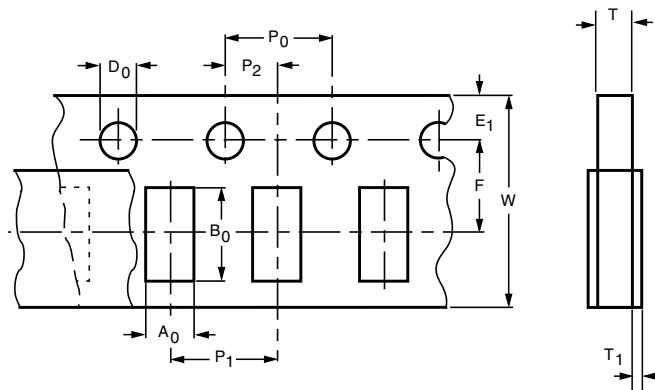


PACKAGING

TAPE SPECIFICATIONS

All tape specifications are in accordance with "IEC 60286-3". Basic dimensions are given below. Carrier tape material is paper.

PAPER TAPE

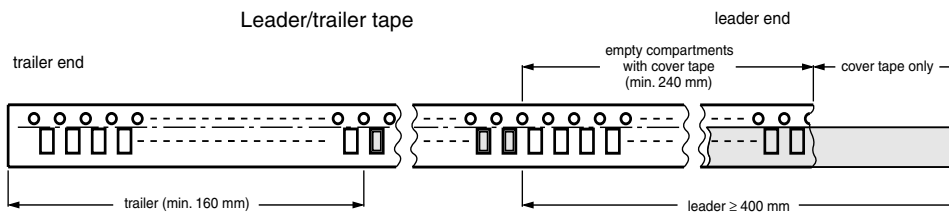


PAPER TAPE DIMENSIONS IN MILLIMETERS		
PARAMETER	DIMENSION	TOLERANCE
A ₀ ; note 1	1.7	± 0.2
B ₀ ; note 1	2.35	± 0.1
W	8.0	± 0.2
E ₁	1.75	± 0.1
F	3.5	± 0.05
D ₀	1.55	± 0.05
P ₀ ; note 2	4.0	± 0.1
P ₁	4.0	± 0.1
P ₂	2.0	± 0.05
T tape thickness	1.1	max
T ₁ cover tape	< 0.1	-

Note

1. Measured 0.3 mm above base pocket
2. P₀ pitch cumulative error over any 10 pitches ± 1.0 mm

LEADER/TRAILER TAPE SPECIFICATION



TAPING PACKAGE REQUIREMENTS

Component is free and not sticking to top and/or bottom tape.
Component should be easy to remove from carrier tape.

TESTS AND REQUIREMENTS

SOLDERABILITY AND RESISTANCE TO SOLDERING HEAT				
IEC 60068-2-58	TEST METHOD	TEST	PROCEDURE	REQUIREMENTS
6	Tc	solderability	2 s at 235 °C	min. 95 % of surface wetted
		resistance to soldering heat	10 s at 260 °C	ΔR/R < 5 %



Notice

Specifications of the products displayed herein are subject to change without notice. Vishay Intertechnology, Inc., or anyone on its behalf, assumes no responsibility or liability for any errors or inaccuracies.

Information contained herein is intended to provide a product description only. No license, express or implied, by estoppel or otherwise, to any intellectual property rights is granted by this document. Except as provided in Vishay's terms and conditions of sale for such products, Vishay assumes no liability whatsoever, and disclaims any express or implied warranty, relating to sale and/or use of Vishay products including liability or warranties relating to fitness for a particular purpose, merchantability, or infringement of any patent, copyright, or other intellectual property right.

The products shown herein are not designed for use in medical, life-saving, or life-sustaining applications. Customers using or selling these products for use in such applications do so at their own risk and agree to fully indemnify Vishay for any damages resulting from such improper use or sale.