

Power line filters for dc systems
Rated voltage 750 to 2000 V–
Rated current 250 to 1000 A
Construction

- Two-line filter
- Metal case

Features

- Easy to install
- Space-saving design
- Design based on
EN 133 200, UL 1283, CSA 22.2 No.8 1986
- Optimized for long motor cables and
operation under full load

Applications

- Trams, light rails
- Subways

Terminals

- Busbars, tin-plated

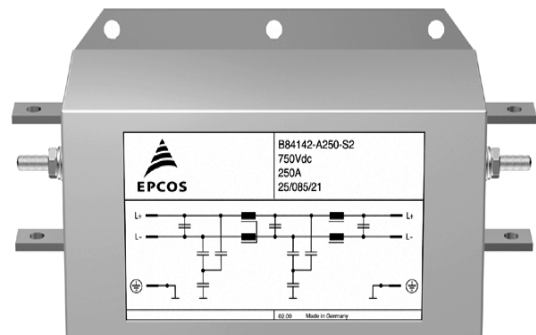
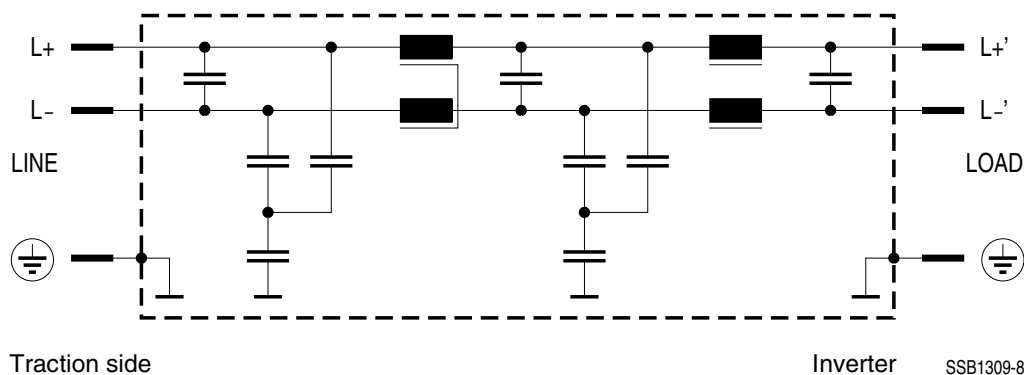
Marking

Marking on component:

 Manufacturer's logo, ordering code,
rated voltage, rated current,
date code

Minimum marking on packaging:

Manufacturer's logo, ordering code


Typical circuit diagram


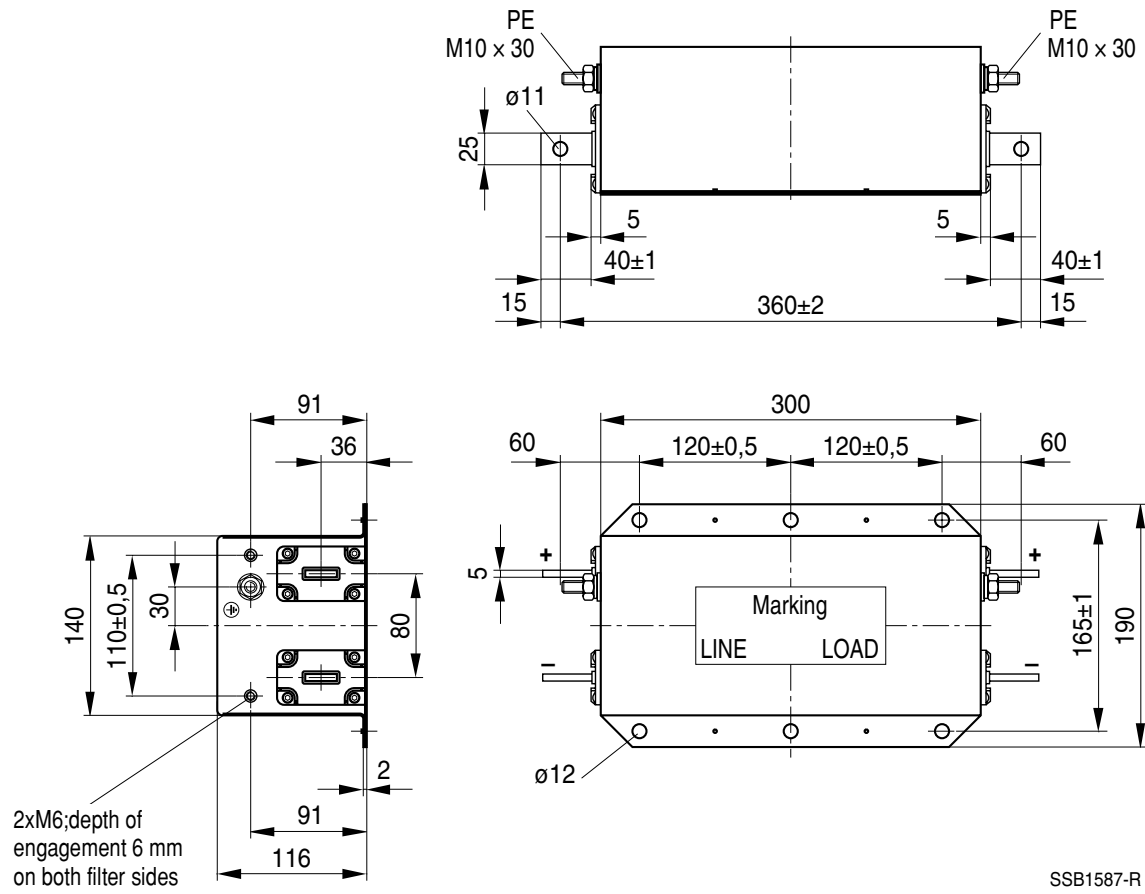
Technical data

Rated voltage V_R	750 V– (Type -S2) 1000 V– (Type -S3) 2000 V– (Type -S18)
Rated current I_R	Referred to 60 °C ambient temperature
Test voltage V_P	For 750 V– filters: 2000 V–, 60 s (L+/L–) 4900 V–, 60 s (L+ L–/case) 6000 V–, 2 s (L+ L–/case) For 1000 V– filters: 2500 V–, 60 s (L+/L–) 4900 V–, 60 s (L+ L–/case) 6000 V–, 2 s (L+ L–/case) For 2000 V– filters: 4000 V–, 60 s (L+/L–) 4900 V–, 60 s (L+ L–/case) 6000 V–, 2 s (L+ L–/case)
Overload capability	1,6 · I_R for 20 s or 2,0 · I_R for 10 s
Climatic category	40/100/21 (– 40 °C/+ 100 °C/21 days damp heat test) in accordance with EN 60068-1

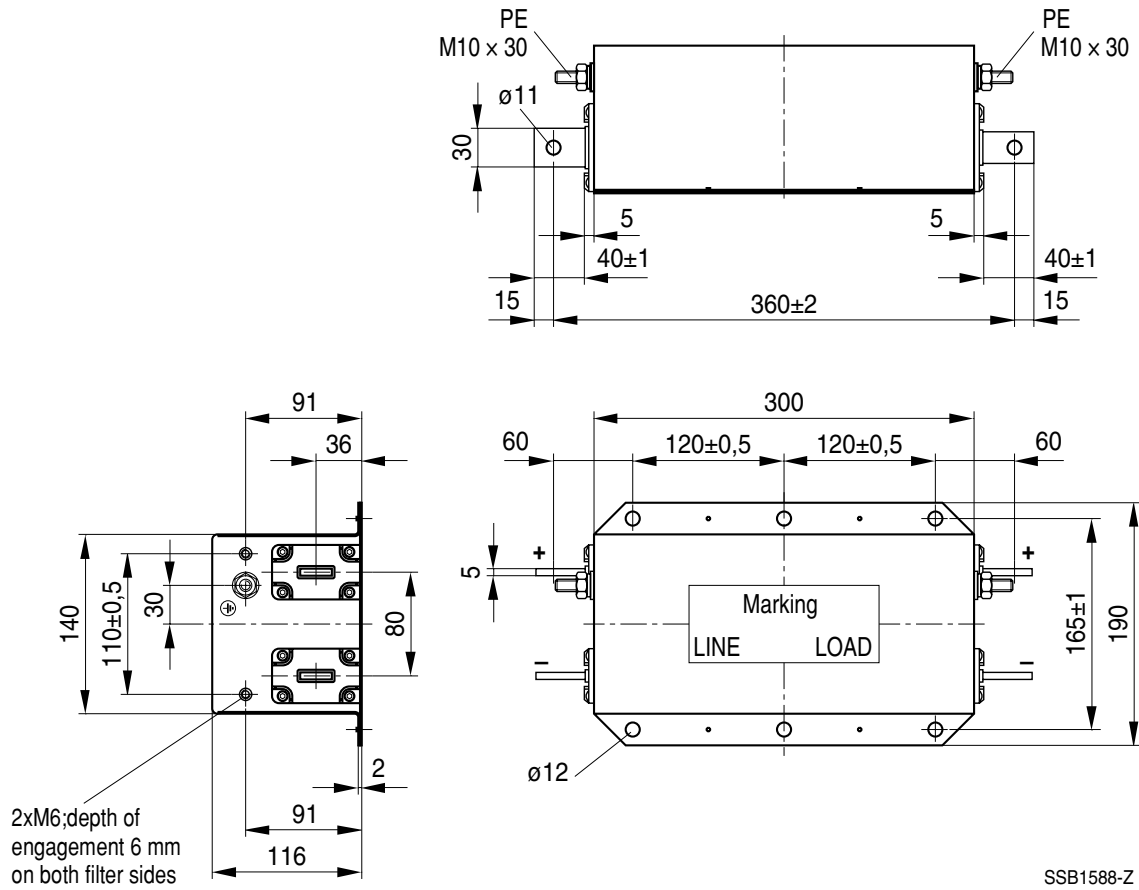
Characteristics and ordering codes

V_R	I_R	Terminal cross section mm ²	P_V	R_{typ}	Approx. weight kg	Ordering code
V–	A		W	μΩ		
750	250	125	8	63	12	B84142-A250-S2
	500	150	34	57	13	B84142-A500-S2
	1000	320	66	33	26	B84142-A1000-S2
1000	250	125	8	63	12	B84142-A250-S3
	500	150	34	57	13	B84142-A500-S3
	1000	320	66	33	26	B84142-A1000-S3
2000	250	125	8	63	12	B84142-A250-S18
	500	150	34	57	13	B84142-A500-S18
	1000	320	66	33	26	B84142-A1000-S18

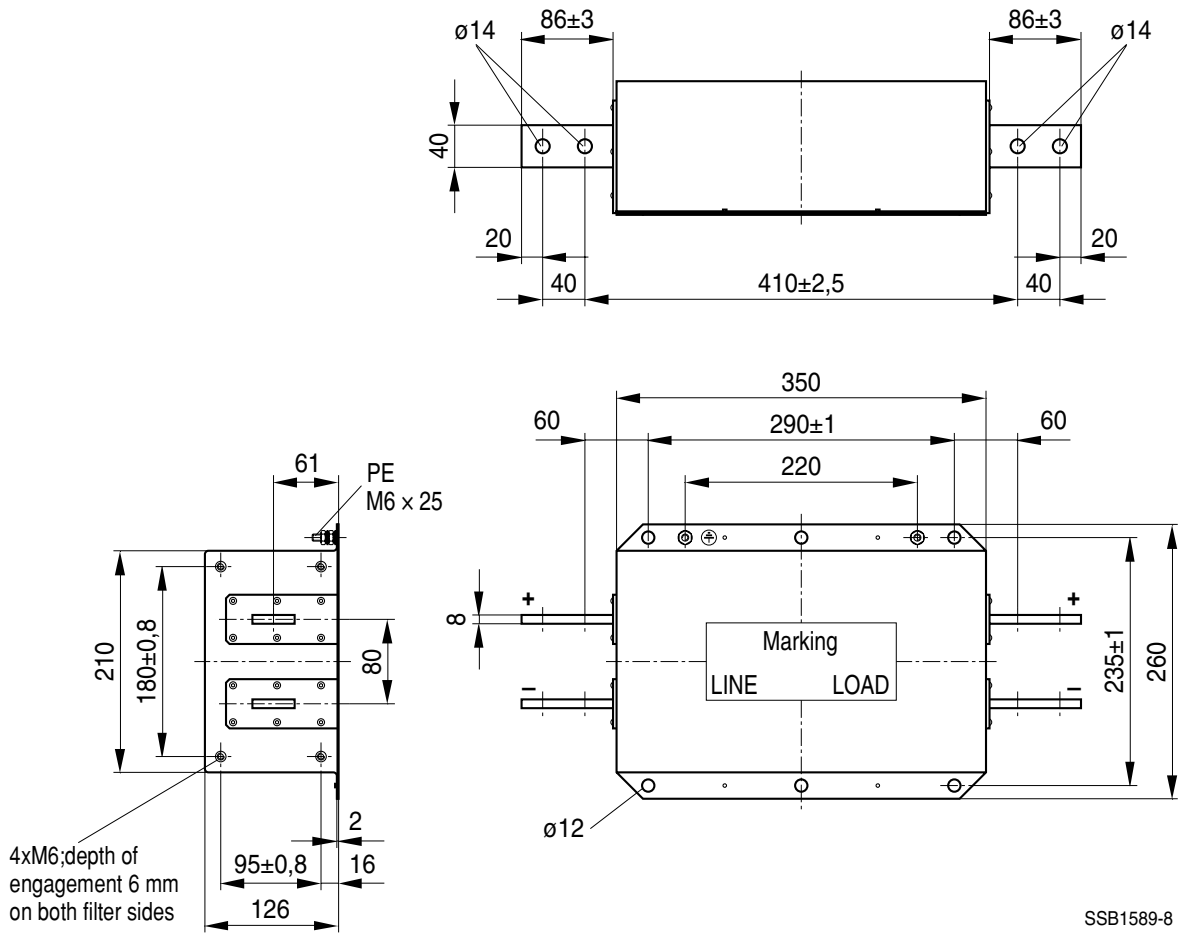
Dimensional drawing B84142-A250-S**



Dimensional drawing B84142-A500-S**



B84142-A1000-S**

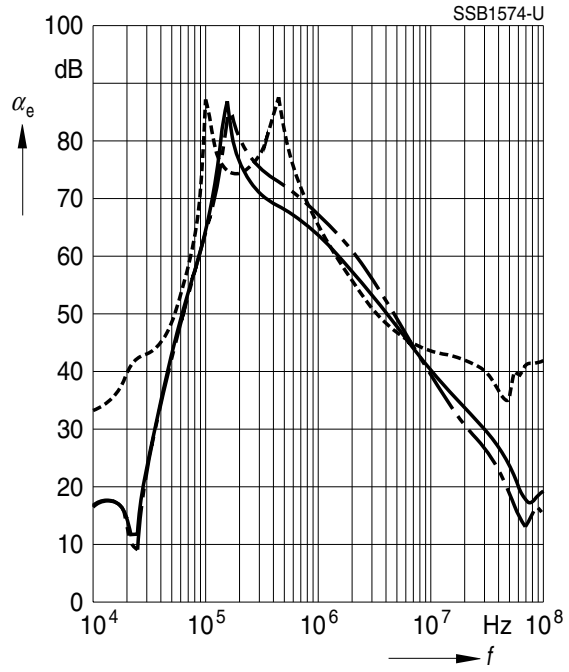
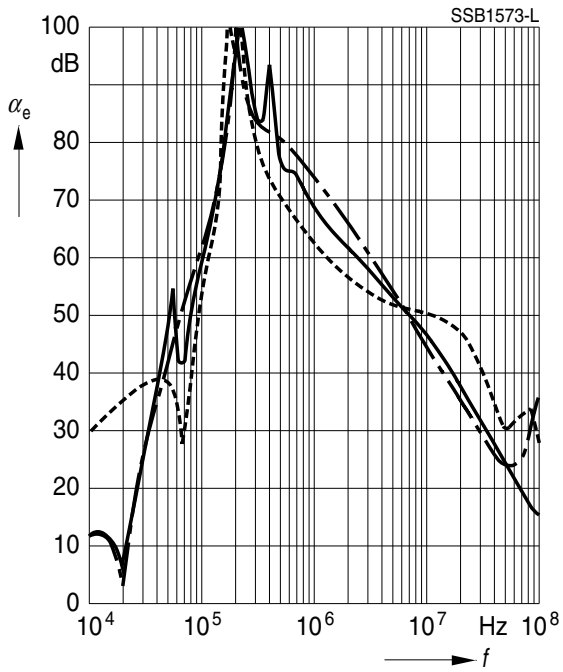


Insertion loss (typical values at $Z = 50 \Omega$)

- unsymmetrical, adjacent branches terminated
- - - - - common mode, all branches in parallel (asymmetrical)
- - - - - differential mode (symmetrical)

B84142-A250-S2 ... -S18
 B84142-A500-S2 ... -S18

B84142-A1000-S2 ... -S18



Herausgegeben von EPCOS AG

Marketing Kommunikation, Postfach 80 17 09, 81617 München, DEUTSCHLAND

© EPCOS AG 2000. Alle Rechte vorbehalten. Vervielfältigung, Veröffentlichung, Verbreitung und Verwertung dieser Broschüre und ihres Inhalts ohne ausdrückliche Genehmigung der EPCOS AG nicht gestattet.

Mit den Angaben in dieser Broschüre werden die Bauelemente spezifiziert, keine Eigenschaften zugesichert. Bestellungen unterliegen den vom ZVEI empfohlenen Allgemeinen Lieferbedingungen für Erzeugnisse und Leistungen der Elektroindustrie, soweit nichts anderes vereinbart wird.

Diese Broschüre ersetzt die vorige Ausgabe.

Fragen über Technik, Preise und Liefermöglichkeiten richten Sie bitte an den Ihnen nächstgelegenen Vertrieb der EPCOS AG oder an unsere Vertriebsgesellschaften im Ausland.

Bauelemente können aufgrund technischer Erfordernisse Gefahrstoffe enthalten. Auskünfte darüber bitten wir unter Angabe des betreffenden Typs ebenfalls über die zuständige Vertriebsgesellschaft einzuholen.

Published by EPCOS AG

Marketing Communications, P.O. Box 80 17 09, 81617 Munich, GERMANY

© EPCOS AG 2000. All Rights Reserved. Reproduction, publication and dissemination of this brochure and the information contained therein without EPCOS' prior express consent is prohibited.

The information contained in this brochure describes the type of component and shall not be considered as guaranteed characteristics. Purchase orders are subject to the General Conditions for the Supply of Products and Services of the Electrical and Electronics Industry recommended by the ZVEI (German Electrical and Electronic Manufacturers' Association), unless otherwise agreed.

This brochure replaces the previous edition.

For questions on technology, prices and delivery please contact the Sales Offices of EPCOS AG or the international Representatives.

Due to technical requirements components may contain dangerous substances. For information on the type in question please also contact one of our Sales Offices.