

SIFI-A for normal insertion loss
Rated voltage 250 V~, 50/60 Hz
Rated current 1 A to 20 A
Construction

- Two-line filter
- Metal case
- Polyurethane potting (UL 94 V-0)

Features

- Compact design
- Low leakage current
- All relevant approvals
- Cost-optimized construction
- Also for assembly on top-hat rails

Applications

- Switch-mode power supplies in
 - industrial electronics
 - telecommunications
 - data systems
 - medical engineering

Case styles and terminal styles

- | | |
|--------------|--|
| Case style A | Tab connectors on face ends, lateral mounting tabs.
Particularly suitable for mounting on a shielding wall. |
| Case style B | Tab connectors on face ends, mounting tabs on face ends. |
| Case style K | IEC connector as per IEC 60320 C 14 on line side,
tab connectors on load side, mounting holes with metric thread. |
| Case style L | Litz wires on face ends |

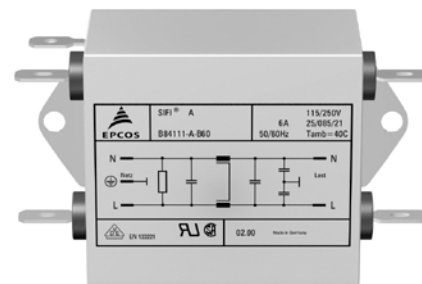
Marking

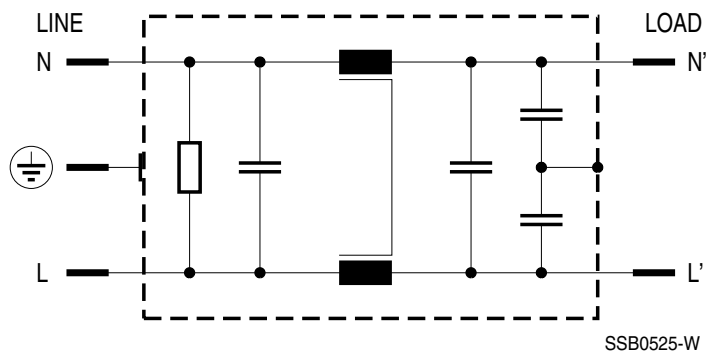
Marking on component:


 Manufacturer's logo, ordering code,
rated voltage, rated current,
date code

Minimum marking on packaging:

Manufacturer's logo, ordering code



Circuit diagram

Technical data

Rated voltage V_R	250 V~, 50/60 Hz
Rated current I_R	Referred to 40 °C ambient temperature
Test voltage V_P	1414 V-, 2 s (line/line) 2700 V-, 2 s (lines/case)
Leakage current I_{leak}	< 0,5 mA at 230 V~, 50 Hz
Discharge resistors	The discharge resistors are rated such that one second after having disconnected the device from the power line, the voltage at the line connector should have dropped to 34 V.
Climatic category	In accordance with EN 60068-1 25/085/21 (- 25 °C/+ 85 °C/21 days damp heat test)
Approvals	

Characteristics and ordering codes

I_R A	C_R	L_R	Case style	Appr. weight g	Ordering code	Mounting plate for top-hat rail (ordering code)
1	2 × 0,1 μF (X2) + 2 × 4700 pF (Y2)	2 × 1,5 mH	A	80	B84111-A-A10	—
			K	140	B84111-A-K10	—
2	2 × 0,1 μF (X2) + 2 × 4700 pF (Y2)	2 × 1,5 mH	A	80	B84111-A-A20	—
3	2 × 0,1 μF (X2) + 2 × 4700 pF (Y2)	2 × 1,5 mH	A	80	B84111-A-A30	—
			K	140	B84111-A-K30	—
			L	80	B84111-A-L30	—
6	2 × 0,1 μF (X2) + 2 × 4700 pF (Y2)	2 × 1,8 mH	A	110	B84111-A-A60	—
			B	110	B84111-A-B60	C62122-A132-B91
			K	140	B84111-A-K60	—
			L	110	B84111-A-L60	—
10	2 × 0,1 μF (X2) + 2 × 4700 pF (Y2)	2 × 820 μH	A	120	B84111-A-A110	—
			B	120	B84111-A-B110	C62122-A132-B91
			L	120	B84111-A-L110	—
20	2 × 0,1 μF (X2) + 2 × 4700 pF (Y2)	2 × 470 μH	A	210	B84111-A-A120	—
			B	210	B84111-A-B120	C62122-A132-B91

Case styles and dimensions

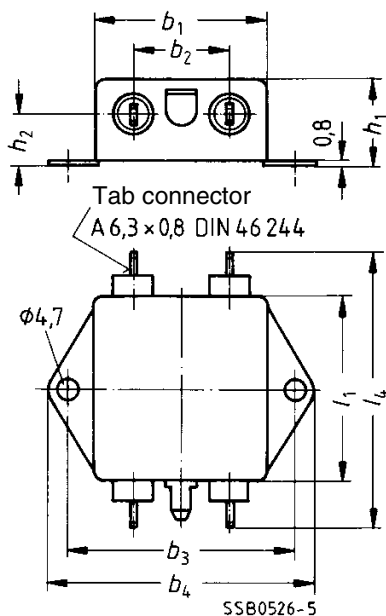
Case style	Ordering code B84111-	Dimensions in mm											Litz mm ²	Style 1015
		b_1	b_2	b_3	b_4	l_1	l_2	l_3	l_4	h_1	h_2			
A	-A-A10	45	26,5	60,4	70	50	—	—	76,5	22,3	14	—	—	
K	-A-K10	51	—	—	—	63,5	—	—	—	32	—	—	—	
A	-A-A20	45	26,5	60,4	70	50	—	—	76,5	22,3	14	—	—	
A	-A-A30	45	26,5	60,4	70	50	—	—	76,5	22,3	14	—	—	
K	-A-K30	51	—	—	—	63,5	—	—	—	32	—	—	—	
L	-A-L30	45	—	60,4	70	50	—	—	—	28,6	—	0,82	AWG18	
A	-A-A60	45	26,5	60,4	70	50	—	—	76,5	28,6	20	—	—	
B	-A-B60	45	26,5	—	—	50	60,4	70	76,5	28,6	20	—	—	
K	-A-K60	51	—	—	—	63,5	—	—	—	32	—	—	—	
L	-A-L60	45	—	60,4	70	50	—	—	—	28,6	—	0,82	AWG18	
A	-A-A110	45	26,5	60,4	70	50	—	—	76,5	28,6	20	—	—	
B	-A-B110	45	26,5	—	—	50	60,4	70	76,5	28,6	20	—	—	
L	-A-L110	45	—	60,4	70	50	—	—	—	28,6	—	1,35	AWG16	
A	-A-A120	63,5	31,5	74,7	84,5	50,8	—	—	77	38,1	28	—	—	
B	-A-B120	see dimensional drawing											—	—

Case style A

B84111-A-A10

B84111-A-A20

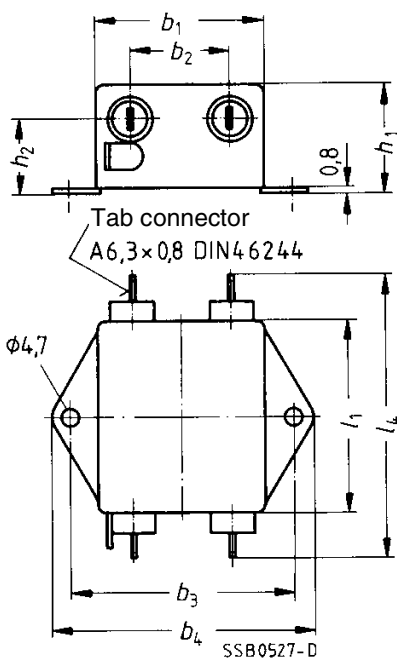
B84111-A-A30


Case style A

B84111-A-A60

B84111-A-A110

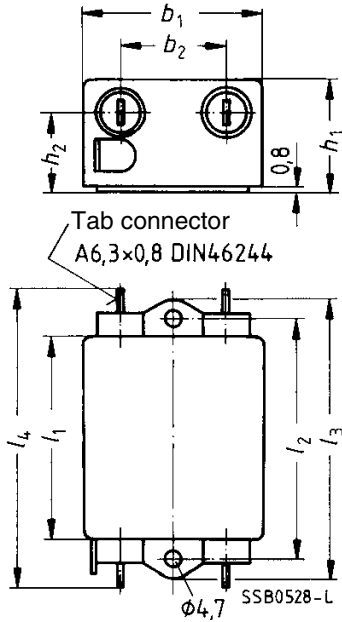
B84111-A-A120



Case style B

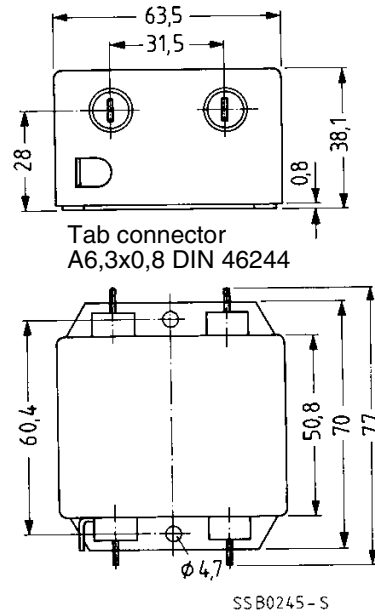
B84111-A-B60

B84111-A-B110

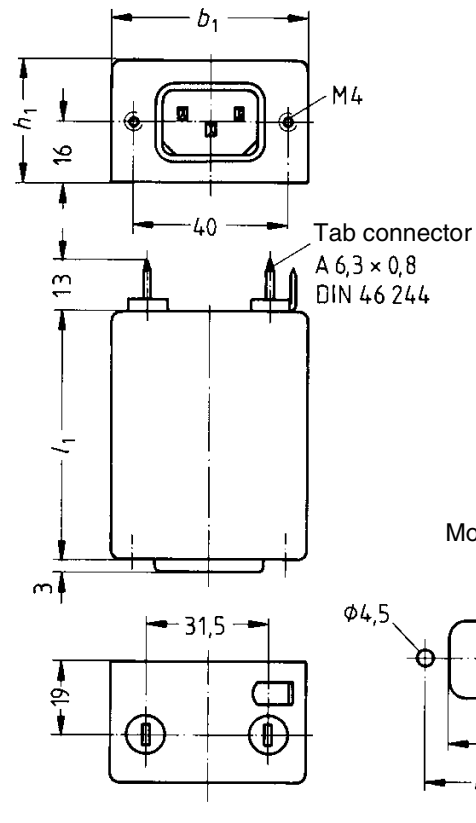


Case style B

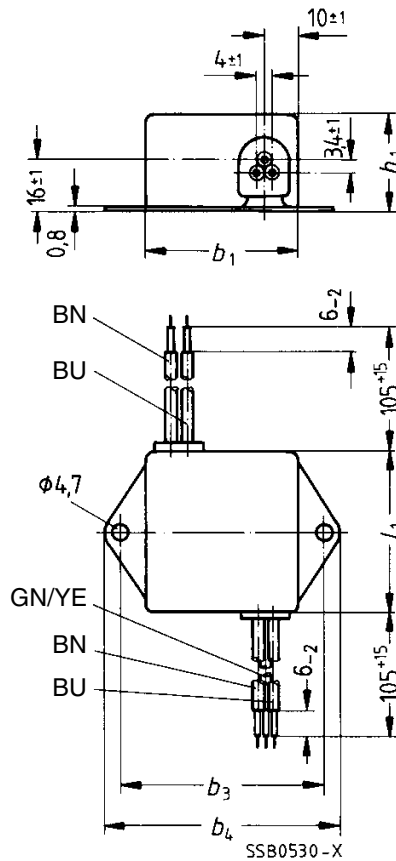
B84111-A-B120



Case style K



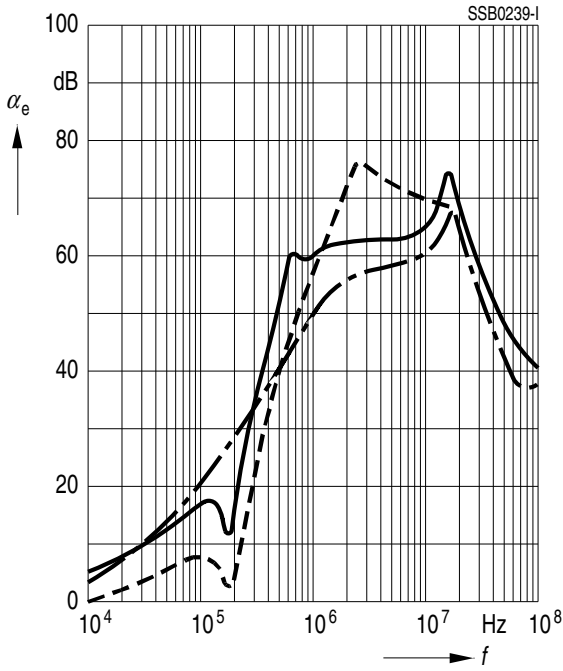
Case style L



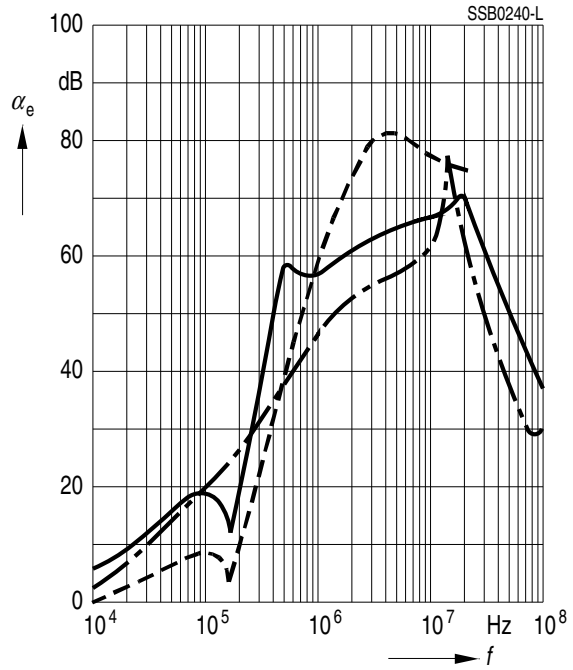
Insertion loss (typical values at $Z = 50 \Omega$)

- unsymmetrical, adjacent branches terminated
- - - - - common mode, all branches in parallel (asymmetrical)
- - - - - differential mode (symmetrical)

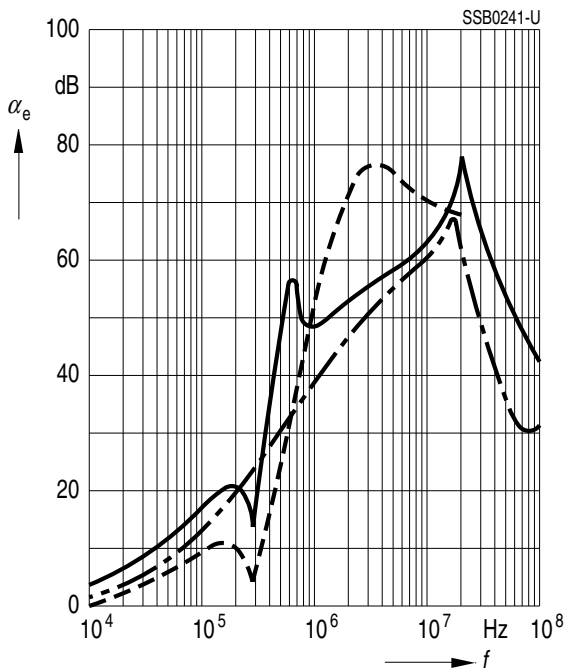
B84111-A-*10 ... -A-*30



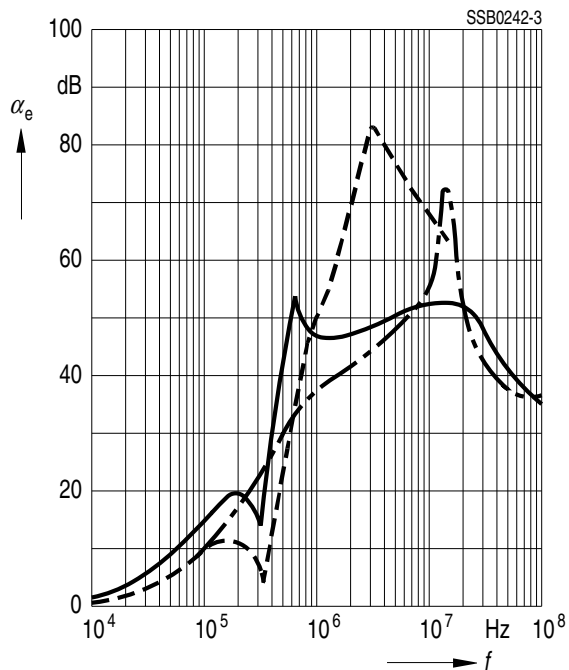
B84111-A-*60



B84111-A-*110



B84111-A-*120



Herausgegeben von EPCOS AG

Marketing Kommunikation, Postfach 80 17 09, 81617 München, DEUTSCHLAND

© EPCOS AG 2000. Alle Rechte vorbehalten. Vervielfältigung, Veröffentlichung, Verbreitung und Verwertung dieser Broschüre und ihres Inhalts ohne ausdrückliche Genehmigung der EPCOS AG nicht gestattet.

Mit den Angaben in dieser Broschüre werden die Bauelemente spezifiziert, keine Eigenschaften zugesichert. Bestellungen unterliegen den vom ZVEI empfohlenen Allgemeinen Lieferbedingungen für Erzeugnisse und Leistungen der Elektroindustrie, soweit nichts anderes vereinbart wird.

Diese Broschüre ersetzt die vorige Ausgabe.

Fragen über Technik, Preise und Liefermöglichkeiten richten Sie bitte an den Ihnen nächstgelegenen Vertrieb der EPCOS AG oder an unsere Vertriebsgesellschaften im Ausland.

Bauelemente können aufgrund technischer Erfordernisse Gefahrstoffe enthalten. Auskünfte darüber bitten wir unter Angabe des betreffenden Typs ebenfalls über die zuständige Vertriebsgesellschaft einzuholen.

Published by EPCOS AG

Marketing Communications, P.O. Box 80 17 09, 81617 Munich, GERMANY

© EPCOS AG 2000. All Rights Reserved. Reproduction, publication and dissemination of this brochure and the information contained therein without EPCOS' prior express consent is prohibited.

The information contained in this brochure describes the type of component and shall not be considered as guaranteed characteristics. Purchase orders are subject to the General Conditions for the Supply of Products and Services of the Electrical and Electronics Industry recommended by the ZVEI (German Electrical and Electronic Manufacturers' Association), unless otherwise agreed.

This brochure replaces the previous edition.

For questions on technology, prices and delivery please contact the Sales Offices of EPCOS AG or the international Representatives.

Due to technical requirements components may contain dangerous substances. For information on the type in question please also contact one of our Sales Offices.