

EMC Components

HF Series

Common Mode Choke Coils(Line Filters) for AC Power Supply Closed Magnetic Circuit Core Type

TDK common mode choke coils(line filters) are used in a wide range of prevention of electromagnetic interference(EMI) and radio frequency interference(RFI) from power supply lines and for prevention of multifunctioning of products such as measuring equipment and system equipment.

RATINGS

Item	Standard value	Conditions
Rated voltage(V)	80 to 280*	
Dielectric withstanding voltage(V)	2000	Between each winding for 1 minute
Insulation resistance (MΩ)	100min.	Between each winding for 1 minute, Edc 500V
Temperature rise(°C)	45max.*	With line resistance
Operating temperature range(°C)	-20 to +120	Including self-temperature rise
Safety standard	Japan Electric/Electronic Products Control Law, UL, CSA and IEC conformed(The safety standard is not acquired with the unit only.)	

* Except particular items.

- Measuring equipment of inductance value:
LCR meter(HP4261A, HP4263B or equivalent)

FEATURES

- Wide range of selection.
- High impedance at applicable frequency.
- High self-resonant frequency.

SELECTION CHART

Series	Configuration	Type	Inductance value (mH)min.	Rated current (A)	Handling power* $L \times I^2$ (mH×A ²)	Weight (g)typ.	Minimum package quantity (pieces/box)
HF	Closed magnetic circuit core types	HF2018R	1 to 33	0.3 to 2	4.5	10	840
		HF2022R	1 to 33	0.3 to 2	4.5	10	840
		HF2024	0.6 to 12	0.8 to 3	7.6	10	800
		HF2422	2.4 to 68	0.4 to 2.5	15	19.5	540
		HF2430	2.4 to 68	0.4 to 2.5	15	19.5	400
		HF2826	1.8 to 35	1 to 4	35	28	480
		HF2836	1.8 to 35	1 to 4	35	30	400
		HF3545	4.7 to 33	1.5 to 4	75	65	140

* Handling power=(Inductance value)×(Current)². It is possible to design within the range below this value.
[Example] The coil for 2A can make even the inductance of 2.5mH or less a product for handling power 10.

PRODUCT IDENTIFICATION

UF □□□□ V □ - □□□Y □R□ - 01
(1) (2) (3) (4) (5) (6) (7)

- Core shape
UF: U-type core
TF: Toroidal core
HF: Square shaped closed magnetic circuit core type
Double-square shaped closed magnetic circuit core type
- Dimensional code(Length×Height)
- External shape code
- TDK's internal code
- Inductance value
Example) 602: $60\mu\text{H} \times 10^2 = 6\text{mH}$
- Rated current value
Example) 2R5: 2.5A
- Product management number

EMC Components

HF Series

Common Mode Choke Coils (Line Filters) for AC Power Supply Closed Magnetic Circuit Core Type

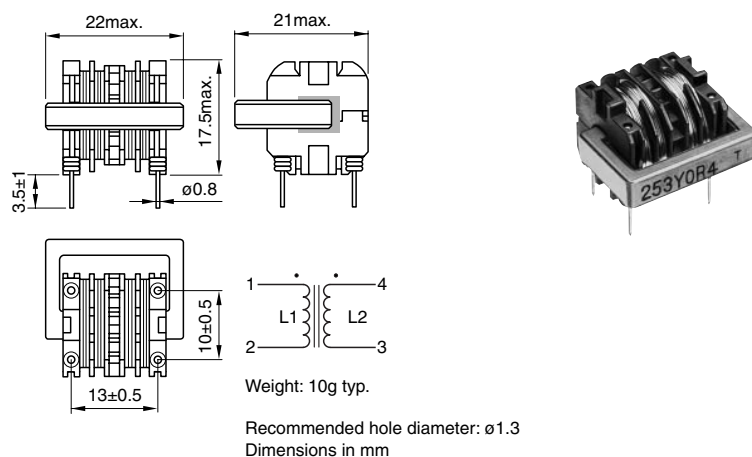
CLOSED MAGNETIC CIRCUIT CORE TYPE

HF SERIES

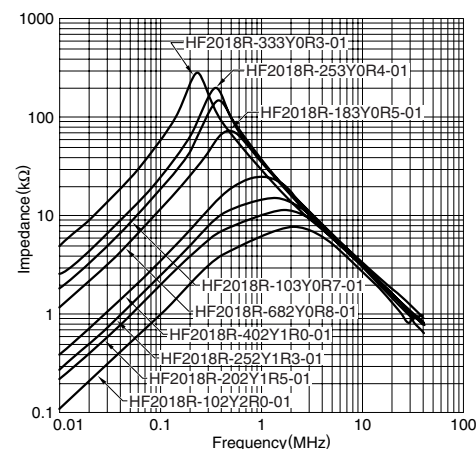
FEATURES

- As closed magnetic circuit core as same as a toroidal core, even at its compact size, it offers large inductance and keeps the high impedance levels required in high frequency ranges.
- Since it uses a closed magnetic circuit core, the leakage flux is relatively small, allowing designers to improve the mounting density of their circuits.

HF2018R (SQUARE SHAPED CLOSED MAGNETIC CIRCUIT CORE) TYPE SHAPES AND DIMENSIONS/CIRCUIT DIAGRAM



TYPICAL ELECTRICAL CHARACTERISTICS IMPEDANCE vs. FREQUENCY CHARACTERISTICS



ELECTRICAL CHARACTERISTICS

Part No.	Inductance (mH)min.	DC resistance (Ω)max.	Rated current (A)max.
HF2018R-333Y0R3-01	33	4.2	0.3
HF2018R-253Y0R4-01	25	2.9	0.4
HF2018R-183Y0R5-01	18	2	0.5
HF2018R-103Y0R7-01	10	1.1	0.7
HF2018R-682Y0R8-01	6.8	0.9	0.8
HF2018R-402Y1R0-01	4	0.5	1
HF2018R-252Y1R3-01	2.5	0.3	1.3
HF2018R-202Y1R5-01	2	0.2	1.5
HF2018R-102Y2R0-01	1	0.2	2

APPLICABLE SAFETY STANDARD

Electrical Appliance and Material Safety Law ("DENAN"), IEC60065, UL6500, CSA C22.2

- However, this product is not recognized by each regulations.

PACKAGING QUANTITIES

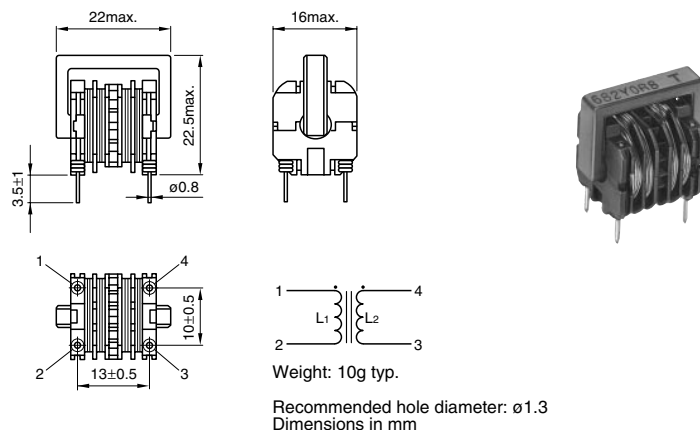
HF2018R	840pieces/box
---------	---------------

EMC Components

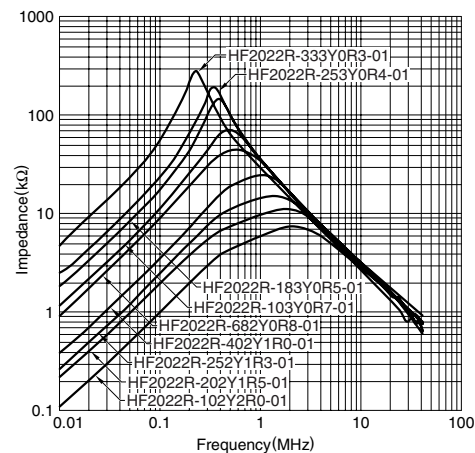
HF Series

Common Mode Choke Coils(Line Filters) for AC Power Supply
Closed Magnetic Circuit Core Type

HF2022R(SQUARE SHAPED CLOSED MAGNETIC CIRCUIT CORE) TYPE SHAPES AND DIMENSIONS/CIRCUIT DIAGRAM



TYPICAL ELECTRICAL CHARACTERISTICS IMPEDANCE vs. FREQUENCY CHARACTERISTICS



ELECTRICAL CHARACTERISTICS

Part No.	Inductance (mH)min.	DC resistance (Ω)max.	Rated current (A)max.
HF2022R-333Y0R3-01	33	4.2	0.3
HF2022R-253Y0R4-01	25	2.9	0.4
HF2022R-183Y0R5-01	18	2	0.5
HF2022R-103Y0R7-01	10	1.1	0.7
HF2022R-682Y0R8-01	6.8	0.9	0.8
HF2022R-402Y1R0-01	4	0.5	1
HF2022R-252Y1R3-01	2.5	0.3	1.3
HF2022R-202Y1R5-01	2	0.2	1.5
HF2022R-102Y2R0-01	1	0.2	2

APPLICABLE SAFETY STANDARD

Electrical Appliance and Material Safety Law ("DENAN"), IEC60065, UL6500, CSA C22.2

- However, this product is not recognized by each regulations.

PACKAGING QUANTITIES

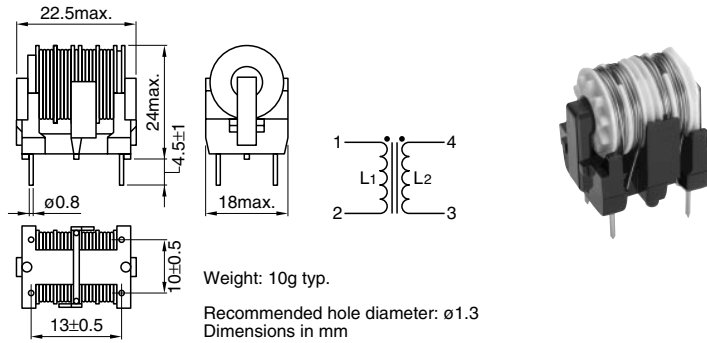
HF2022R	840pieces/box
---------	---------------

EMC Components

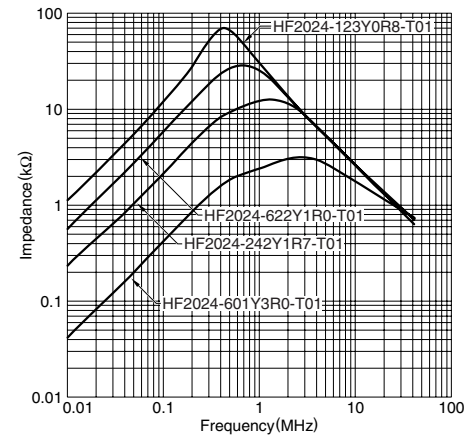
HF Series

Common Mode Choke Coils (Line Filters) for AC Power Supply
Closed Magnetic Circuit Core Type

HF2024 (SQUARE SHAPED CLOSED MAGNETIC CIRCUIT CORE) TYPE SHAPES AND DIMENSIONS/CIRCUIT DIAGRAM



TYPICAL ELECTRICAL CHARACTERISTICS IMPEDANCE vs. FREQUENCY CHARACTERISTICS



ELECTRICAL CHARACTERISTICS

Part No.	Inductance (mH) min.	DC resistance (Ω) max.	Rated current (A) max.
HF2024-123Y0R8-T01	12	0.92	0.8
HF2024-622Y1R0-T01	6.2	0.5	1
HF2024-242Y1R7-T01	2.4	0.18	1.7
HF2024-601Y3R0-T01	0.6	0.06	3

APPLICABLE SAFETY STANDARD

Electrical Appliance and Material Safety Law ("DENAN"), CSA C22.2

- However, this product is not recognized by each regulations.

PACKAGING QUANTITIES

HF2024	800 pieces/box
--------	----------------

EMC Components

HF Series

Common Mode Choke Coils(Line Filters) for AC Power Supply Closed Magnetic Circuit Core Type

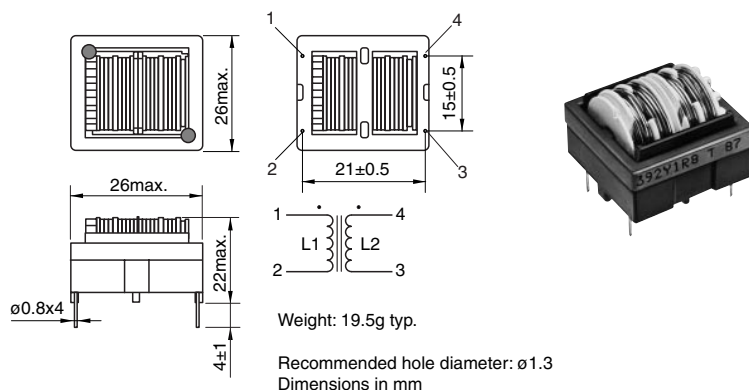
CLOSED MAGNETIC CIRCUIT CORE TYPE

HF SERIES

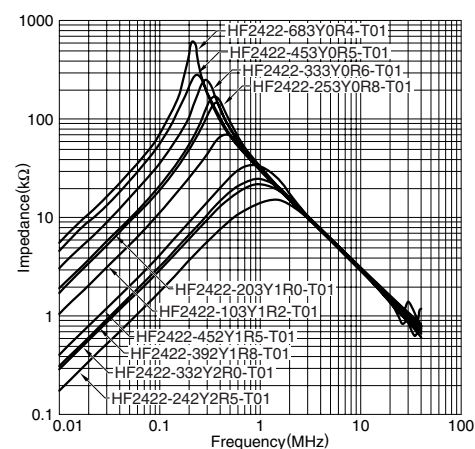
FEATURES

- This series employs two outer magnetic path limbs design with windings on the center magnetic path limb of double-square shaped closed magnetic circuit ferrite core to reduce leakage flux.
- This filter uses the same closed magnetic circuit core as a toroidal core and therefore, even at its compact size, it offers large inductance and suppresses noise up to in high frequency ranges.

HF2422(DOUBLE-SQUARE SHAPED CLOSED MAGNETIC CIRCUIT CORE) TYPE SHAPES AND DIMENSIONS/CIRCUIT DIAGRAM



TYPICAL ELECTRICAL CHARACTERISTICS IMPEDANCE vs. FREQUENCY CHARACTERISTICS



ELECTRICAL CHARACTERISTICS

Part No.	Inductance (mH)min.	DC resistance (Ω)max.	Rated current (A)max.
HF2422-683Y0R4-T01	68	2.3	0.4
HF2422-453Y0R5-T01	45	1.65	0.5
HF2422-333Y0R6-T01	33	1.2	0.6
HF2422-253Y0R8-T01	25	0.88	0.8
HF2422-203Y1R0-T01	20	0.64	1
HF2422-103Y1R2-T01	10	0.38	1.2
HF2422-452Y1R5-T01	4.5	0.19	1.5
HF2422-392Y1R8-T01	3.9	0.15	1.8
HF2422-332Y2R0-T01	3.3	0.11	2
HF2422-242Y2R5-T01	2.4	0.09	2.5

APPLICABLE SAFETY STANDARD

Electrical Appliance and Material Safety Law ("DENAN"), IEC60065, UL6500, CSA C22.2

- However, this product is not recognized by each regulations.

PACKAGING QUANTITIES

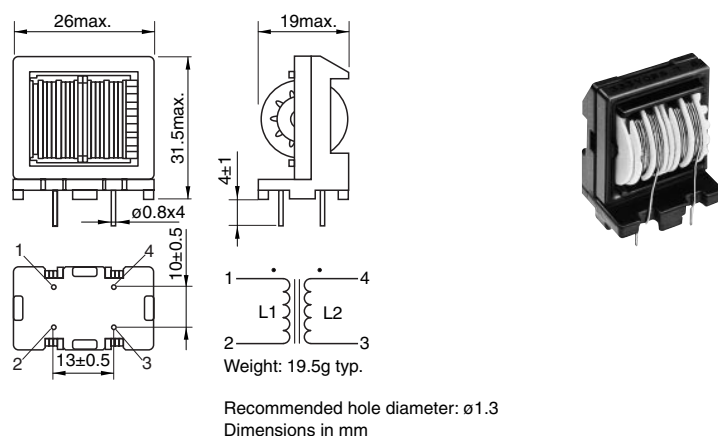
HF2422	540pieces/box
--------	---------------

EMC Components

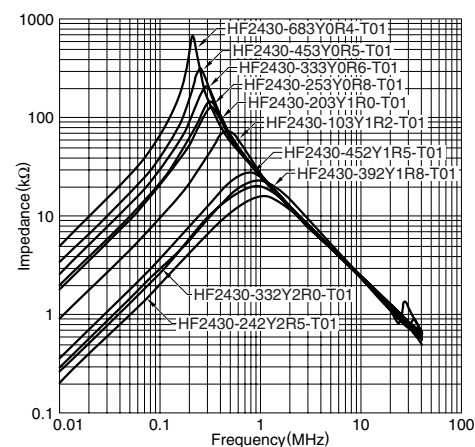
HF Series

Common Mode Choke Coils (Line Filters) for AC Power Supply
Closed Magnetic Circuit Core Type

HF2430 (DOUBLE-SQUARE SHAPED CLOSED MAGNETIC CIRCUIT CORE) TYPE SHAPES AND DIMENSIONS/CIRCUIT DIAGRAM



TYPICAL ELECTRICAL CHARACTERISTICS IMPEDANCE vs. FREQUENCY CHARACTERISTICS



ELECTRICAL CHARACTERISTICS

Part No.	Inductance (mH)min.	DC resistance (Ω)max.	Rated current (A)max.
HF2430-683Y0R4-T01	68	2.3	0.4
HF2430-453Y0R5-T01	45	1.65	0.5
HF2430-333Y0R6-T01	33	1.2	0.6
HF2430-253Y0R8-T01	25	0.88	0.8
HF2430-203Y1R0-T01	20	0.64	1
HF2430-103Y1R2-T01	10	0.38	1.2
HF2430-452Y1R5-T01	4.5	0.19	1.5
HF2430-392Y1R8-T01	3.9	0.15	1.8
HF2430-332Y2R0-T01	3.3	0.11	2
HF2430-242Y2R5-T01	2.4	0.09	2.5

APPLICABLE SAFETY STANDARD

Electrical Appliance and Material Safety Law ("DENAN"), IEC60065, UL6500, CSA C22.2

- However, this product is not recognized by each regulations.

PACKAGING QUANTITIES

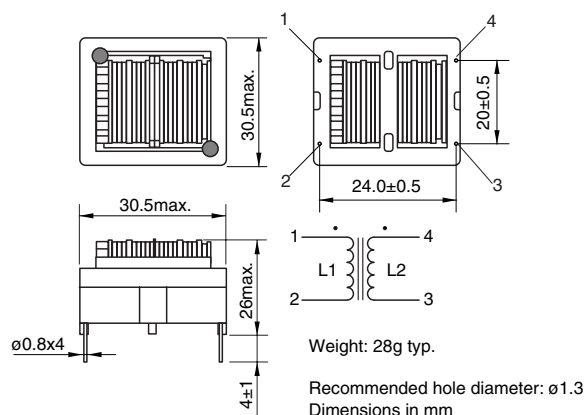
HF2430	400pieces/box
--------	---------------

EMC Components

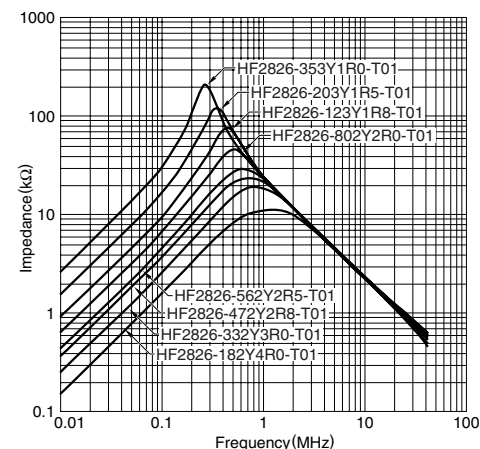
HF Series

Common Mode Choke Coils(Line Filters) for AC Power Supply
Closed Magnetic Circuit Core Type

HF2826(DOUBLE-SQUARE SHAPED CLOSED MAGNETIC CIRCUIT CORE) TYPE SHAPES AND DIMENSIONS/CIRCUIT DIAGRAM



TYPICAL ELECTRICAL CHARACTERISTICS IMPEDANCE vs. FREQUENCY CHARACTERISTICS



ELECTRICAL CHARACTERISTICS

Part No.	Inductance (mH)min.	DC resistance (Ω)max.	Rated current (A)max.
HF2826-353Y1R0-T01	35	0.78	1
HF2826-253Y1R2-T01	25	0.56	1.2
HF2826-203Y1R5-T01	20	0.41	1.5
HF2826-123Y1R8-T01	12	0.27	1.8
HF2826-802Y2R0-T01	8	0.18	2
HF2826-562Y2R5-T01	5.6	0.13	2.5
HF2826-472Y2R8-T01	4.7	0.1	2.8
HF2826-332Y3R0-T01	3.3	0.088	3
HF2826-182Y4R0-T01	1.8	0.05	4

APPLICABLE SAFETY STANDARD

Electrical Appliance and Material Safety Law ("DENAN"), IEC60065, UL6500, CSA C22.2

- However, this product is not recognized by each regulations.

PACKAGING QUANTITIES

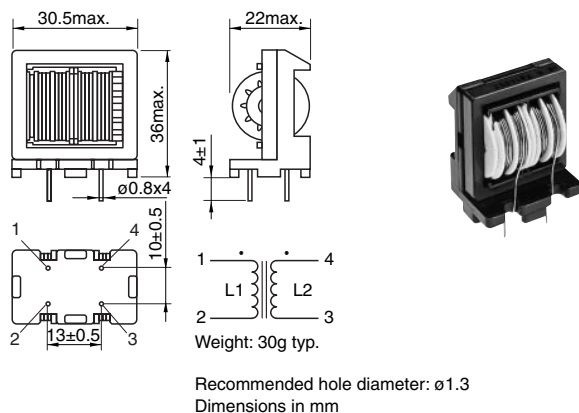
HF2826	480pieces/box
--------	---------------

EMC Components

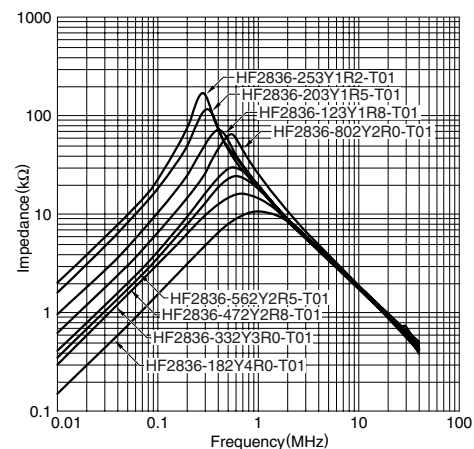
HF Series

Common Mode Choke Coils(Line Filters) for AC Power Supply Closed Magnetic Circuit Core Type

HF2836(DOUBLE-SQUARE SHAPED CLOSED MAGNETIC CIRCUIT CORE) TYPE SHAPES AND DIMENSIONS/CIRCUIT DIAGRAM



TYPICAL ELECTRICAL CHARACTERISTICS IMPEDANCE vs. FREQUENCY CHARACTERISTICS



ELECTRICAL CHARACTERISTICS

Part No.	Inductance (mH)min.	DC resistance (Ω)max.	Rated current (A)max.
HF2836-353Y1R0-T01	35	0.78	1
HF2836-253Y1R2-T01	25	0.56	1.2
HF2836-203Y1R5-T01	20	0.41	1.5
HF2836-123Y1R8-T01	12	0.27	1.8
HF2836-802Y2R0-T01	8	0.18	2
HF2836-562Y2R5-T01	5.6	0.13	2.5
HF2836-472Y2R8-T01	4.7	0.1	2.8
HF2836-332Y3R0-T01	3.3	0.088	3
HF2836-182Y4R0-T01	1.8	0.05	4

APPLICABLE SAFETY STANDARD

Electrical Appliance and Material Safety Law ("DENAN"), IEC60065, UL6500, CSA C22.2

- However, this product is not recognized by each regulations.

PACKAGING QUANTITIES

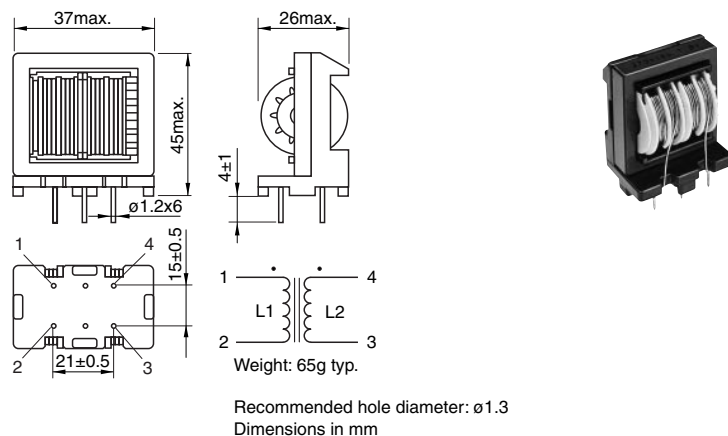
HF2836	400pieces/box
--------	---------------

EMC Components

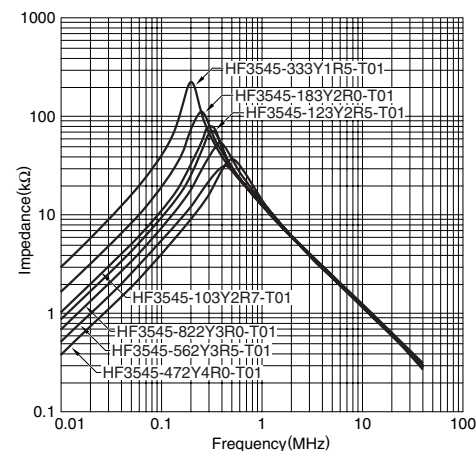
HF Series

Common Mode Choke Coils (Line Filters) for AC Power Supply
Closed Magnetic Circuit Core Type

HF3545 (DOUBLE-SQUARE SHAPED CLOSED MAGNETIC CIRCUIT CORE) TYPE SHAPES AND DIMENSIONS/CIRCUIT DIAGRAM



TYPICAL ELECTRICAL CHARACTERISTICS IMPEDANCE vs. FREQUENCY CHARACTERISTICS



ELECTRICAL CHARACTERISTICS

Part No.	Inductance (mH)min.	DC resistance (Ω)max.	Rated current (A)max.
HF3545-333Y1R5-T01	33	0.42	1.5
HF3545-183Y2R0-T01	18	0.23	2
HF3545-123Y2R5-T01	12	0.17	2.5
HF3545-103Y2R7-T01	10	0.13	2.7
HF3545-822Y3R0-T01	8.2	0.105	3
HF3545-562Y3R5-T01	5.6	0.077	3.5
HF3545-472Y4R0-T01	4.7	0.062	4

APPLICABLE SAFETY STANDARD

Electrical Appliance and Material Safety Law ("DENAN"), IEC60065, UL6500, CSA C22.2

- However, this product is not recognized by each regulations.

PACKAGING QUANTITIES

HF3545	140pieces/box
--------	---------------