

Multipurpose Power Line RFI Filter for Emission Control and High-Noise Industrial Environments

V and W Series



**UL Recognized
CSA Certified
VDE Approved**



V and W Series

The V series and W series filters will better protect equipment from malfunctions due to conducted interference coming into the equipment from the line, especially line-to-line noise and transients. They will also provide needed noise suppression to allow most equipment to meet FCC specifications for conducted emissions.

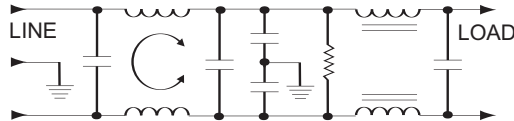
V Series – offers an N = 3 (“T”) line-to-ground impedance to common mode and an N = 5 (“Dbl. Pi”) impedance for line-to-line differential mode interference. The filters are designed for susceptibility use when equipment impedance at RF frequencies is low.

W Series – provides an N = 4 (“Dbl. L”) line-to-ground impedance for common mode and an N = 5 (“Dbl. Pi”) impedance for line-to-line differential mode interference. The filters are designed for use when equipment impedance at RF frequencies is high. The two-stage construction provides excellent suppression at high frequency.

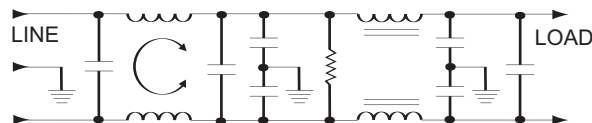
V series and W series filters are also effective to control emissions in equipment using SCR and T²L circuits, for compliance with FCC Part 15, Subpart J, and EN55022, Level A, down to 150kHz.

Electrical Schematics

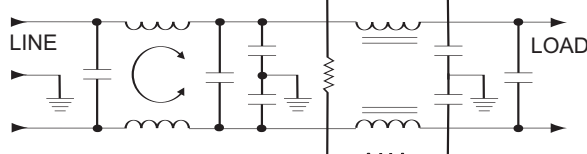
V Series



W Series 3A, 6A, 10A



W Series 20A



Resistor location for reference only.

Specifications

Maximum leakage current, each line-to-ground

@ 120 VAC 60 Hz:	0.5 mA
@ 250 VAC 50 Hz:	.82 mA

Hipot rating (one minute):

line-to-ground	2250 VDC
line-to-line	1450 VDC

Operating frequency:

50/60 Hz

Rated voltage (max.):

250 VAC

Rated current:

3VV/3VW	3A
6VV/6VW	6A
10VV/10VW	10A
20VV/20VW	20A

Minimum insertion loss in dB:

Line-to-ground in 50 ohm circuit

Current Rating	Frequency—MHz							
	.15	.5	1	2	5	10	20	30
V Series								
3A	15	27	38	47	55	55	50	48
6A	15	27	28	47	55	55	50	48
10A	15	27	38	47	55	55	50	48
20A	15	30	41	49	60	46	36	30
W Series								
3A	13	25	20	45	65	65	65	63
6A	18	30	34	40	65	65	57	47
10A	18	30	34	40	65	65	57	47
20A	18	30	34	40	65	65	57	47

Line-to-line in 50 ohm circuit

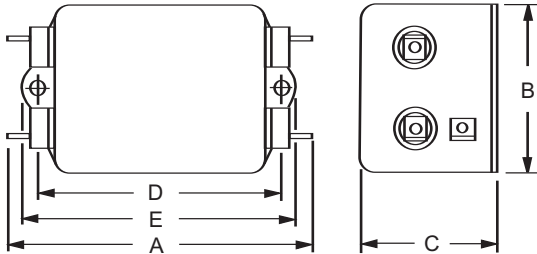
Current Rating	Frequency—MHz							
	.15	.3	.5	1	2	5	10	30
V Series								
3A	25	25	65	65	63	60	52	50
6A	40	54	65	65	65	65	60	57
10A	25	25	65	65	63	60	52	50
20A	25	25	65	65	63	60	52	50
W Series								
3A	25	40	65	65	65	62	55	35
6A	30	54	65	65	65	60	55	38
10A	25	25	65	65	65	65	50	45
20A	25	25	65	65	65	65	50	45

**Multipurpose Power Line RFI Filter for Emission Control
and High-Noise Industrial Environments (Continued)**

V and W Series

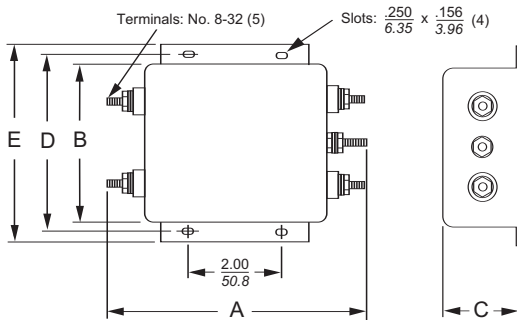
Case Styles

3A, 6A, 10A



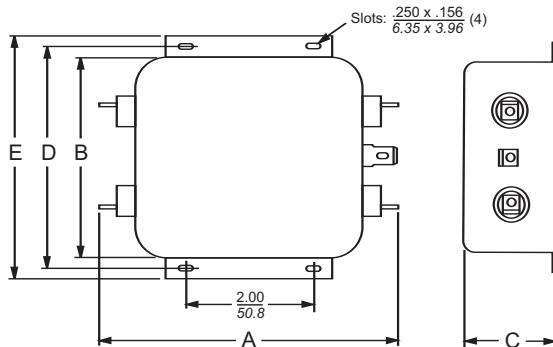
Typical dimensions:
Terminals: .250 [6.35] (5)
Slot: .07 x .16 [1.8 x 4.1]
Holes: .07 [1.8] Dia. (4)
Mounting holes: .188 [4.78] Dia. (2)

20VV6/20VW6



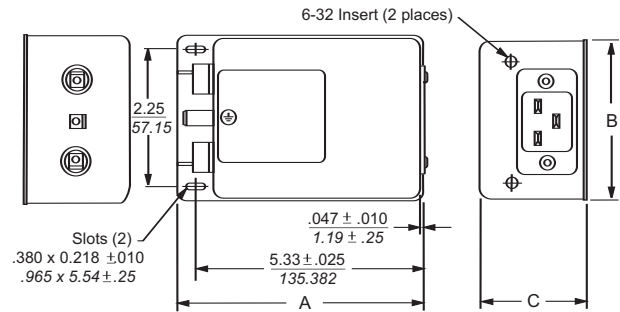
Torque: 18± 2 in.lb

20VV1/20VW1

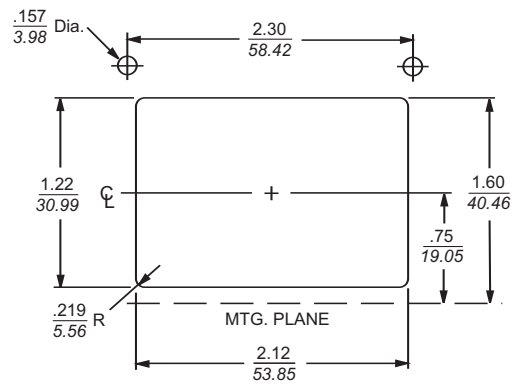


Typical dimensions:
Terminals: .250 [6.35] (5)
Slot: .07 x .16 [1.8 x 4.1]
Holes: .07 [1.8] Dia. (4)

20VW7



20VW7 Panel Cutout



Case Dimensions

Part No.	A (max)	B (max)	C (max)	D $\pm .015$ $\pm .38$	E (max)
3VV1, 3VW1	3.36 85.3	1.82 46.2	1.28 32.5	2.375 60.33	2.78 70.6
6VV1, 6VW1	3.86 98.0	2.08 52.8	1.53 38.9	2.938 74.63	3.34 84.8
10VV1, 10VW1	3.86 98.0	2.08 52.8	1.53 38.9	2.938 74.63	3.34 84.8
20VV1, 20VW1	5.23 132.8	3.38 85.9	1.53 38.9	3.750 95.25	4.20 106.7
20VV6, 20VW6	5.34 135.64	3.38 85.9	1.53 38.9	3.760 95.5	4.20 106.7
20VW7	5.65 143.51	3.12 79.25	2.29 58.17	—	—

Part Numbers

V Series	W Series
3VV1	3VW1
6VV1	6VW1
10VV1	10VW1
20VV1	20VW1
20VV6	20VW6
	20VW7*

* UL, CSA — 20A; VDE — 16A