



Features

- Balanced Mini-TRIGARD™ (5 mm diameter, 7.3 mm length)
- Ideal for board level protection of broadband circuits
- Symmetrical breakdown voltage (L-L, L-G)
- Leadless, surface mount for economical assembly
- High surge current rating, low insertion loss
- Stable breakdown throughout life
- RoHS compliant* versions available

2038 Series Miniature Symmetrical 3-Electrode Surface Mount Gas Discharge Tube

Bourns offers a symmetrical surface mount (SM) 3-electrode GDT surge protection device. The industry-leading quality and features of the Bourns® miniature-TRIGARD™ series GDT continue in the 2038 symmetrical version. The 2038 series is ideal for board level protection of high bandwidth applications such as xDSL, cable broadband and high speed Ethernet, due to its symmetrical turn on characteristics as well as high energy-handling capability, long and stable life performance and low capacitance of less than 1 pF. The 2038 series' breakdown voltages are nearly equal line to line as well as line to ground. Typical 3-electrode GDT line-line breakdown voltages are 1.8-2 times higher than the line to ground breakdown voltage. Bourns® Gas Discharge Tubes (GDT) are designed to prevent damage from transient disturbances by acting as a "crowbar" in creating a virtual short-to-ground circuit during conduction. When an electrical surge exceeds the defined breakdown voltage level of the GDT, the gas becomes ionized and rapid conduction takes place. When the surge passes and the system voltage returns to normal levels, the GDT returns to its high-impedance (off) state.

Characteristics



Test Methods per ITU-T (CCITT) K.12 and IEEE C62.31

Characteristic	Model No.				
	2038-15-SM	2038-20-SM	2038-23-SM	2038-30-SM	2038-35-SM
DC Sparkover ± 20% @ 100 V/s L1/L2 to Grnd and Line 1 to Line 2	150 V	200 V	230 V	300 V	350 V
Typical Impulse Sparkover L1/L2 to Grnd and Line 1 to Line 2					
100V/μs	350 V	425 V	450 V	500 V	600 V
1000V/μs	500 V	575 V	600 V	650 V	750 V

Characteristic	Model No.				
	2038-42-SM	2038-47-SM	2038-60-SM	2038-80-SM	2038-110-SM
DC Sparkover ± 20% @ 100 V/s L1/L2 to Grnd and Line 1 to Line 2	420 V	470 V	600 V	800 V	1100 V
Typical Impulse Sparkover L1/L2 to Grnd and Line 1 to Line 2					
100V/μs	675 V	750 V	850 V	1150 V	1500 V
1000V/μs	850 V	950 V	1100 V	1400 V	1700 V

Impulse Transverse Delay.....	100 V/μs.....	< 75 ns
Insulation Resistance (IR).....	100 V.....	> 10 ¹⁰ Ω
Glow Voltage.....	10 mA.....	~ 70 V
Arc Voltage.....	1 A.....	~ 10 V
Glow-Arc Transition Current.....		< 0.5 A
Capacitance.....	1 MHz.....	< 1 pF
DC Holdover Voltage ¹	135 V.....	< 150 ms
Impulse Discharge Current.....	10000 A, 8/20 μs ²	1 operation min.
	5000 A, 8/20 μs.....	> 10 operations
	200 A, 10/1000 μs.....	> 300 operations
	200 A, 10/700 μs.....	> 500 operations
	10 A, 10/1000 μs.....	> 1500 operations
Alternating Discharge Current.....	10 Arms, 1 s ²	1 operation min.
	5 Arms, 1 s.....	> 10 operations
Operating Temperature.....		-40 to +90 °C

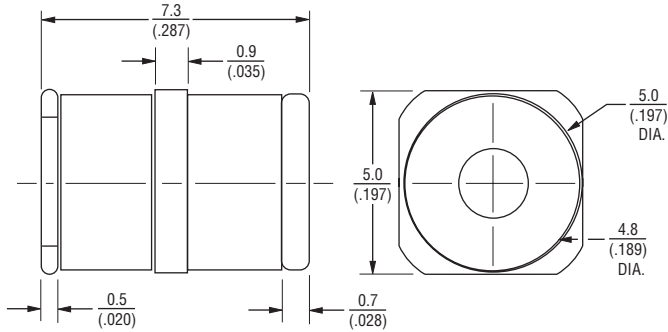
Notes:

- 2038-35 UL Recognized , file E153537, 2038-110 CSA Approved , file LR93265 (UL 1449).
- The rated discharge current for Mini-TRIGARD™ GDTs is the total current equally divided between each line to ground.
- Sparkover limits after life ±25 %. IR >10⁸ Ω (+30 %, -25 % for 2038-60,-80 and -110).
- Operating characteristics per RUS PE-80 and Telcordia GR 1361 available on request.
- At delivery AQL 0.65 Level II, DIN ISO 2859.

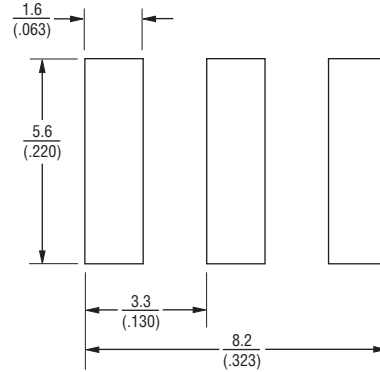
¹ Network applied.

² DC Sparkover may exceed ±25 % but will continue to protect without venting.

Product Dimensions



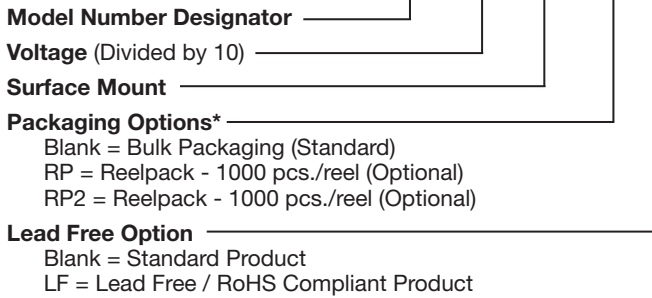
Recommended Pad Layout



DIMENSIONS = $\frac{\text{MILLIMETERS}}{\text{(INCHES)}}$

How To Order

2038 - xx - SM - RP LF



*The optional -RP & -RP2 reelpacks contain 1000 pcs./reel. The reels are 330 mm (13 inches) in diameter. The -RP reelpack is 18 mm (0.71 inches) wide. The -RP2 reelpack is 26 mm (1.02 inches) wide.

2038 Series Miniature Symmetrical 3-Electrode Surface Mount Gas Discharge Tube

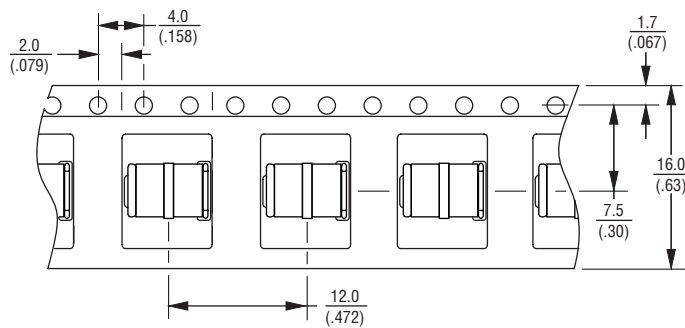
BOURNS®

Packaging Specifications

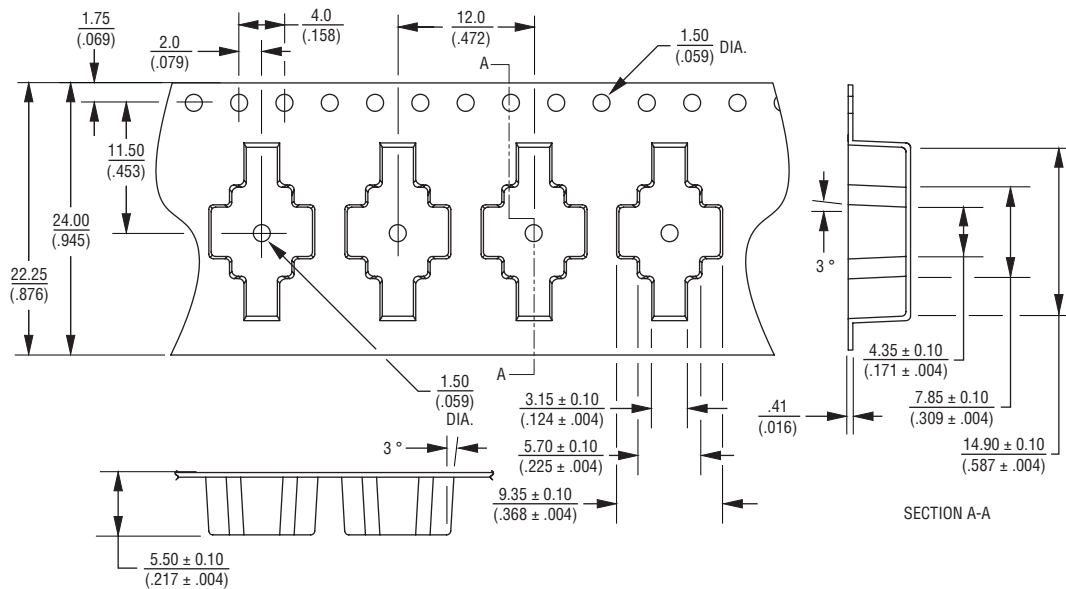
The Model 2038-xx-SM ships standard bulk pack, 100 pieces per bag.

The optional -RP & -RP2 reelpacks contain 1000 pcs./reel. The reels are 330 mm (13 inches) in diameter. The -RP reelpack is 18 mm (0.71 inches) wide. The -RP2 reelpack is 26 mm (1.02 inches) wide.

-RP



-RP2



DIMENSIONS = $\frac{\text{MILLIMETERS}}{\text{(INCHES)}}$

TOLERANCES: $\frac{.13}{(.005)}$ UNLESS OTHERWISE NOTED

REV. C 06/09

Specifications are subject to change without notice.
Customers should verify actual device performance in their specific applications.



Asia-Pacific: TEL +886- (0)2 25624117 • FAX +886- (0)2 25624116
Europe: TEL +41-41 768 5555 • FAX +41-41 768 5510
The Americas: TEL +1-951 781-5500 • FAX +1-951 781-5700
www.bourns.com