



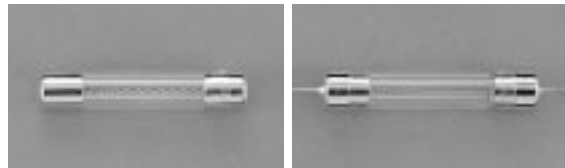
defining a degree of excellence

Type 3AG / 3AP

Fast Blow Fuse Series

1/4 x 1 1/4 inch Glass Tube

3AGD0897



Electrical Characteristics

Testing current	Blow Time	
	Minimum	Maximum
100%	4 Hrs.	N/A
135%	N/A	1 Hr
200%	N/A	5 sec



Approvals

Safety Agency Approvals	Type	Amp range / Volt @ I.R. ability
UL Listed File no. E20624	3AG / 3AP	100mA - 10A / 250V AC@ 200A
SF Certified File no. LR39772		100mA - 15A / 125V AC@ 10,000A
Approval File no. 32-1764 / no. 32-1766	3AG / 3AP	1A - 5A / 125V AC@ 500A
File no. 32-1765	3AG	>5A - 15A / 125V AC@ 300A

Operating Temperature

-55°C to +125°C

Physical Specification

Materials

Glass body / Nickel Plated Brass Caps

Lead wire:

Tin-lead plated Copper;

Diameter 0.032", 7A and less

Diameter 0.040", 8A and above

Marking

On fuse:

"bel", "3AG", "Current Rating", "Voltage Rating", and "Appropriate Safety Logos"

On label:

Above info plus "CE" and interrupting rating

Voltage on fuse:

250V for 100mA to 10A; 125V for 12A and above

Packaging

1. In bulk:

3AG - 1,000 pcs per box; 3AP - 500 pcs per box

2. On Axial Tape & Reel:

1,000 pcs per reel

3. Tape & Reel specification:

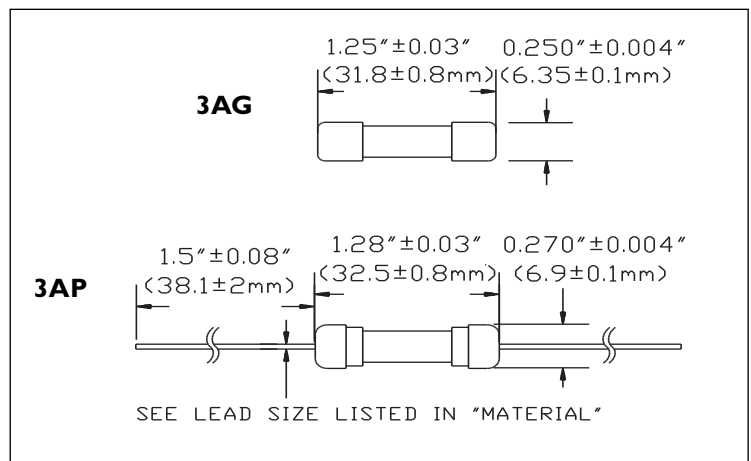
per EIA-296-E & IEC 286-1

@ 10mm Pitch and 73mm inside Tape Spacing

Catalog Number	Ampere Rating	Typical Cold Resistance (ohm)	Volt-drop @100% I_n (Volt) max.	Melting I^2t < 10 mSec (A ² Sec)	Melting I^2t @10 I_n (A ² Sec)	Maximum Power Dissipation (W)
3AG (3AP) 100	100mA	12.5	4.5	0.002	0.002	0.59
3AG (3AP) 125	125mA	12.0	4.5	0.004	0.003	0.80
3AG (3AP) 160	160mA	8.3	4.2	0.008	0.006	0.94
3AG (3AP) 200	200mA	5.7	3.9	0.014	0.010	1.10
3AG (3AP) 250	250mA	3.9	3.6	0.025	0.019	1.29
3AG (3AP) 300	300mA	2.7	3.4	0.044	0.034	1.51
3AG (3AP) 375	375mA	2.0	3.2	0.07	0.06	1.64
3AG (3AP) 500	500mA	1.28	2.9	0.14	0.11	0.25
3AG (3AP) 750	750mA	0.24	0.2	0.75	0.74	0.30
3AG (3AP) 1	1 A	0.16	0.23	1.43	1.44	0.37
3AG (3AP) 1.25	1.25 A	0.114	0.21	2.45	2.51	0.44
3AG (3AP) 1.6	1.6 A	0.084	0.20	4.2	4.4	0.51
3AG (3AP) 2	2 A	0.063	0.18	7.2	7.6	0.59
3AG (3AP) 2.5	2.5 A	0.047	0.17	12	13	0.70
3AG (3AP) 3	3 A	0.035	0.162	21	23	0.83
3AG (3AP) 3.5	3.5 A	0.030	0.157	28	31	0.91
3AG (3AP) 4	4 A	0.026	0.154	36	40	1.0
3AG (3AP) 5	5 A	0.020	0.146	63	70	1.2
3AG (3AP) 6	6 A	0.015	0.139	107	123	1.4
3AG (3AP) 7	7 A	0.013	0.135	141	162	1.6
3AG (3AP) 8	8 A	0.012	0.132	184	214	1.7
3AG (3AP) 10	10 A	0.009	0.125	316	372	2.0
3AG (3AP) 12	12 A	0.007	0.120	501	597	2.4
3AG (3AP) 15	15 A	0.006	0.114	845	1023	2.8

Consult manufacturer for other ratings

Mechanical Dimensions



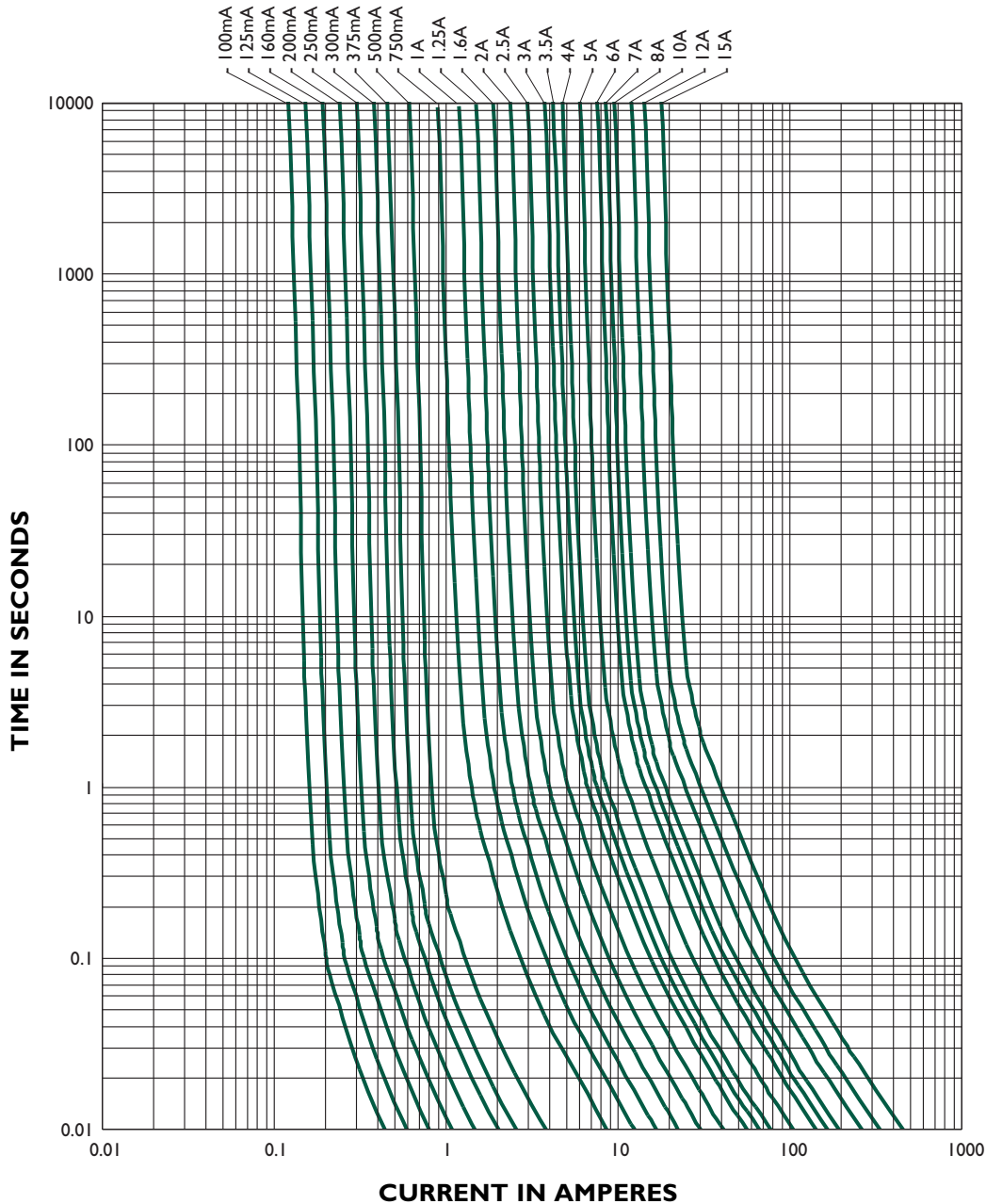
Specifications subject to change without notice

Type 3AG / 3AP
Fast Blow Fuse Series

1/4 x 1 1/4 inch Glass Tube

3AGC0897

3AG / 3AP - TIME CURRENT CHARACTERISTIC CURVE



Specifications subject to change without notice

Corporate Office

Bel Fuse Inc.
198 Van Vorst Street, Jersey City, NJ 07302
Tel: 201-432-0463
Fax: 201-432-9542
E-Mail: BelFuse@compuserve.com
Internet: <http://www.belfuse.com>

Far East Office

Bel Fuse Ltd.
8F/8 Luk Hop Street
San Po Kong
Kowloon, Hong Kong
Tel: 852-2328-5515
Fax: 852-2352-3706

European Office

Bel Fuse Europe Ltd.
Preston Technology Management Centre
Marsh Lane, Preston PR1 8UD
Lancas hire, U.K.
Tel: 44-1772-556601
Fax: 44-1772-888366