



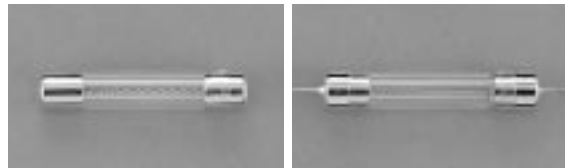
defining a degree of excellence

Type 3AG / 3AP

Fast Blow Fuse Series

1/4 x 1 1/4 inch Glass Tube

3AGD0897



Electrical Characteristics

| Testing current | Blow Time | |
|-----------------|-----------|---------|
| | Minimum | Maximum |
| 100% | 4 Hrs. | N/A |
| 135% | N/A | 1 Hr |
| 200% | N/A | 5 sec |



Approvals

| Safety Agency Approvals | Type | Amp range / Volt @ I.R. ability |
|---|-----------|---------------------------------|
| UL Listed File no. E20624 | 3AG / 3AP | 100mA - 10A / 250V AC@ 200A |
| SF Certified File no. LR39772 | | 100mA - 15A / 125V AC@ 10,000A |
| Approval File no. 32-1764 / no. 32-1766 | 3AG / 3AP | 1A - 5A / 125V AC@ 500A |
| File no. 32-1765 | 3AG | >5A - 15A / 125V AC@ 300A |

Operating Temperature

-55°C to +125°C

Physical Specification

Materials

Glass body / Nickel Plated Brass Caps

Lead wire:

Tin-lead plated Copper;

Diameter 0.032", 7A and less

Diameter 0.040", 8A and above

Marking

On fuse:

"bel", "3AG", "Current Rating", "Voltage Rating", and "Appropriate Safety Logos"

On label:

Above info plus "CE" and interrupting rating

Voltage on fuse:

250V for 100mA to 10A; 125V for 12A and above

Packaging

1. In bulk:

3AG - 1,000 pcs per box; 3AP - 500 pcs per box

2. On Axial Tape & Reel:

1,000 pcs per reel

3. Tape & Reel specification:

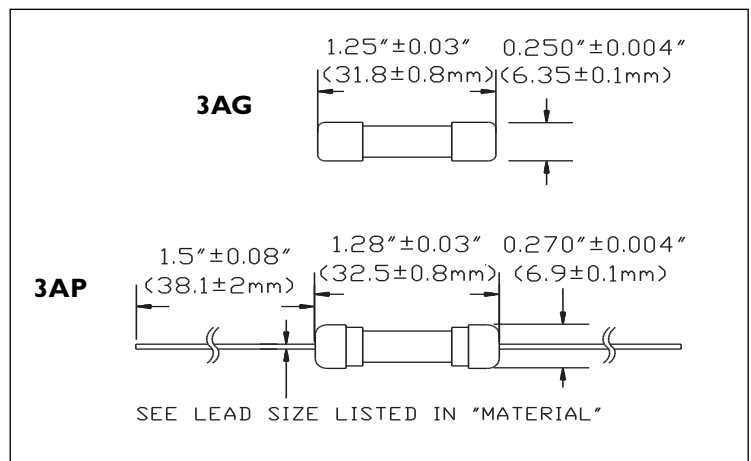
per EIA-296-E & IEC 286-1

@ 10mm Pitch and 73mm inside Tape Spacing

| Catalog Number | Ampere Rating | Typical Cold Resistance (ohm) | Volt-drop @100% I_n (Volt) max. | Melting I^2t < 10 mSec (A ² Sec) | Melting I^2t @10 I_n (A ² Sec) | Maximum Power Dissipation (W) |
|----------------|---------------|-------------------------------|-----------------------------------|---|---|-------------------------------|
| 3AG (3AP) 100 | 100mA | 12.5 | 4.5 | 0.002 | 0.002 | 0.59 |
| 3AG (3AP) 125 | 125mA | 12.0 | 4.5 | 0.004 | 0.003 | 0.80 |
| 3AG (3AP) 160 | 160mA | 8.3 | 4.2 | 0.008 | 0.006 | 0.94 |
| 3AG (3AP) 200 | 200mA | 5.7 | 3.9 | 0.014 | 0.010 | 1.10 |
| 3AG (3AP) 250 | 250mA | 3.9 | 3.6 | 0.025 | 0.019 | 1.29 |
| 3AG (3AP) 300 | 300mA | 2.7 | 3.4 | 0.044 | 0.034 | 1.51 |
| 3AG (3AP) 375 | 375mA | 2.0 | 3.2 | 0.07 | 0.06 | 1.64 |
| 3AG (3AP) 500 | 500mA | 1.28 | 2.9 | 0.14 | 0.11 | 0.25 |
| 3AG (3AP) 750 | 750mA | 0.24 | 0.2 | 0.75 | 0.74 | 0.30 |
| 3AG (3AP) 1 | 1 A | 0.16 | 0.23 | 1.43 | 1.44 | 0.37 |
| 3AG (3AP) 1.25 | 1.25 A | 0.114 | 0.21 | 2.45 | 2.51 | 0.44 |
| 3AG (3AP) 1.6 | 1.6 A | 0.084 | 0.20 | 4.2 | 4.4 | 0.51 |
| 3AG (3AP) 2 | 2 A | 0.063 | 0.18 | 7.2 | 7.6 | 0.59 |
| 3AG (3AP) 2.5 | 2.5 A | 0.047 | 0.17 | 12 | 13 | 0.70 |
| 3AG (3AP) 3 | 3 A | 0.035 | 0.162 | 21 | 23 | 0.83 |
| 3AG (3AP) 3.5 | 3.5 A | 0.030 | 0.157 | 28 | 31 | 0.91 |
| 3AG (3AP) 4 | 4 A | 0.026 | 0.154 | 36 | 40 | 1.0 |
| 3AG (3AP) 5 | 5 A | 0.020 | 0.146 | 63 | 70 | 1.2 |
| 3AG (3AP) 6 | 6 A | 0.015 | 0.139 | 107 | 123 | 1.4 |
| 3AG (3AP) 7 | 7 A | 0.013 | 0.135 | 141 | 162 | 1.6 |
| 3AG (3AP) 8 | 8 A | 0.012 | 0.132 | 184 | 214 | 1.7 |
| 3AG (3AP) 10 | 10 A | 0.009 | 0.125 | 316 | 372 | 2.0 |
| 3AG (3AP) 12 | 12 A | 0.007 | 0.120 | 501 | 597 | 2.4 |
| 3AG (3AP) 15 | 15 A | 0.006 | 0.114 | 845 | 1023 | 2.8 |

Consult manufacturer for other ratings

Mechanical Dimensions



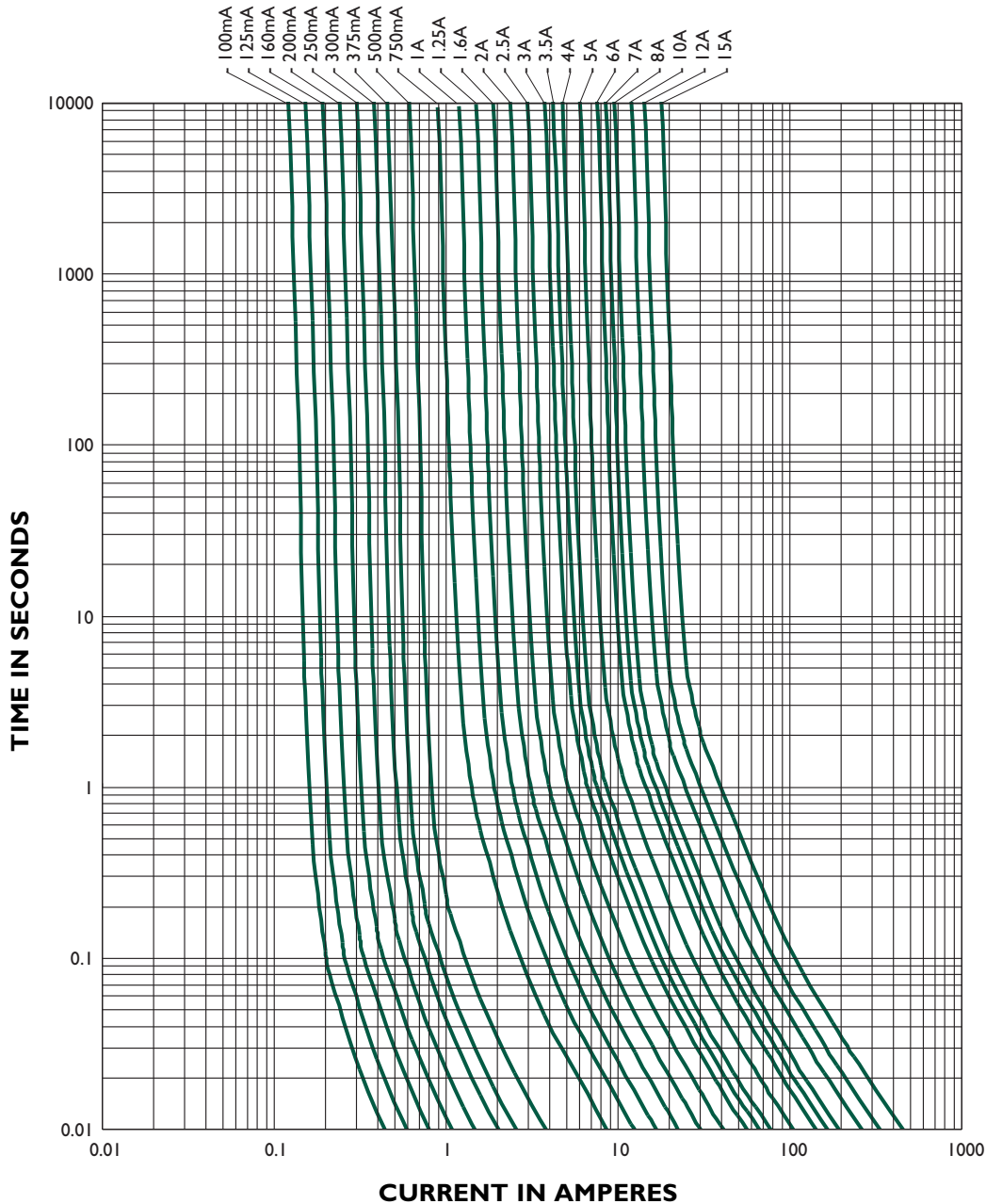
Specifications subject to change without notice

Type 3AG / 3AP
Fast Blow Fuse Series

1/4 x 1 1/4 inch Glass Tube

3AGC0897

3AG / 3AP - TIME CURRENT CHARACTERISTIC CURVE



Specifications subject to change without notice

Corporate Office

Bel Fuse Inc.
198 Van Vorst Street, Jersey City, NJ 07302
Tel: 201-432-0463
Fax: 201-432-9542
E-Mail: BelFuse@compuserve.com
Internet: <http://www.belfuse.com>

Far East Office

Bel Fuse Ltd.
8F/8 Luk Hop Street
San Po Kong
Kowloon, Hong Kong
Tel: 852-2328-5515
Fax: 852-2352-3706

European Office

Bel Fuse Europe Ltd.
Preston Technology Management Centre
Marsh Lane, Preston PR1 8UD
Lancas hire, U.K.
Tel: 44-1772-556601
Fax: 44-1772-888366