

Square Body – Flush End Contact

1250V/1300V (IEC/U.L.) 50-1400A



| Electrical Characteristics | | | | | | Ordering Information | | | | | Curves |
|----------------------------|------------------------|-------------------------------------|-------------------|-------------------|------------|------------------------------------|------------------------------------|------------------------------------|------------------------------------|------------------------------------|----------|
| Size | Rated Current RMS-Amps | I ² t (A ² S) | | | Watts Loss | -BKN/75 Type K Indicator for Micro | -BKN/80 Type K Indicator for Micro | -BKN/90 Type K Indicator for Micro | -GKN/75 Type K Indicator for Micro | -GKN/90 Type K Indicator for Micro | BIF # |
| | | Pre-arc | Clearing at 1000V | Clearing at 1250V | | | | | | | |
| 1* | 50 | 135 | 815 | 1100 | 15 | 170M3388 | 170M3438 | | 170M3488 | | 17056630 |
| | 63 | 215 | 1300 | 1750 | 20 | 170M3389 | 170M3439 | | 170M3489 | | |
| | 80 | 420 | 2500 | 3350 | 25 | 170M3390 | 170M3440 | | 170M3490 | | |
| | 100 | 750 | 4450 | 5950 | 30 | 170M3391 | 170M3441 | | 170M3491 | | |
| | 125 | 1450 | 9000 | 11500 | 35 | 170M3392 | 170M3442 | | 170M3492 | | |
| | 160 | 2600 | 16000 | 21000 | 40 | 170M3393 | 170M3443 | | 170M3493 | | |
| | 200 | 5150 | 31000 | 41000 | 45 | 170M3394 | 170M3444 | | 170M3494 | | |
| | 250 | 9200 | 54500 | 73000 | 55 | 170M3395 | 170M3445 | | 170M3495 | | |
| | 315 | 18500 | 115000 | 150000 | 60 | 170M3396 | 170M3446 | | 170M3496 | | |
| | 350 | 27000 | 165000 | 220000 | 65 | 170M3397 | 170M3447 | | 170M3497 | | |
| | 400 | 53000 | 265000 | 335000 | 70 | | 170M3448 | | | | |
| 1 | 160 | 1900 | 11500 | 15500 | 45 | 170M4388 | 170M4438 | | 170M4488 | | 17056632 |
| | 200 | 3800 | 22500 | 30000 | 50 | 170M4389 | 170M4439 | | 170M4489 | | |
| | 250 | 7750 | 46000 | 61500 | 60 | 170M4390 | 170M4440 | | 170M4490 | | |
| | 315 | 15000 | 90000 | 120000 | 65 | 170M4391 | 170M4441 | | 170M4491 | | |
| | 350 | 20000 | 125000 | 165000 | 70 | 170M4392 | 170M4442 | | 170M4492 | | |
| | 400 | 29500 | 175000 | 235000 | 75 | 170M4393 | 170M4443 | | 170M4493 | | |
| | 450 | 42000 | 250000 | 335000 | 80 | 170M4394 | 170M4444 | | 170M4494 | | |
| | 500 | 69500 | 340000 | 435000 | 85 | †170M4395 | 170M4445 | | †170M4495 | | |
| | 550 | 95000 | 465000 | 590000 | 95 | †170M4396 | 170M4446 | | †170M4496 | | |
| | 630 | 130000 | 660000 | | 100 | †170M4397 | †170M4447 | | †170M4497 | | |
| | 2 | 250 | 6500 | 38500 | 51500 | 65 | 170M5388 | 170M5438 | | 170M5588 | |
| 280 | | 9350 | 55500 | 74500 | 70 | 170M5389 | 170M5439 | | 170M5589 | | |
| 315 | | 13000 | 77500 | 105000 | 75 | 170M5390 | 170M5440 | | 170M5590 | | |
| 350 | | 16500 | 97500 | 135000 | 80 | 170M5391 | 170M5441 | | 170M5591 | | |
| 400 | | 23000 | 140000 | 180000 | 85 | 170M5392 | 170M5442 | | 170M5592 | | |
| 450 | | 34000 | 205000 | 270000 | 90 | 170M5393 | 170M5443 | | 170M5593 | | |
| 500 | | 48000 | 285000 | 380000 | 95 | 170M5394 | 170M5444 | 170M5494 | 170M5594 | 170M5644 | |
| 550 | | 62000 | 370000 | 495000 | 100 | 170M5395 | 170M5445 | 170M5495 | 170M5595 | 170M5645 | |
| 630 | | 115000 | 575000 | 730000 | 110 | †170M5396 | 170M5446 | 170M5496 | †170M5596 | 170M5646 | |
| 700 | | 160000 | 795000 | 1050000 | 115 | †170M5397 | †170M5447 | 170M5497 | †170M5597 | 170M5647 | |
| 800 | | 245000 | 1200000 | 1550000 | 120 | †170M5398 | †170M5448 | 170M5498 | †170M5598 | 170M5648 | |
| †900 | 360000 | 1750000 | | 125 | | | 170M5499 | | 170M5649 | | |
| †1000 | 480000 | 2350000 | | 135 | | | 170M5500 | | 170M5650 | | |
| 3 | 315 | 9500 | 58000 | 77500 | 85 | 170M6338 | 170M6538 | | 170M6588 | | 17056636 |
| | 350 | 13500 | 81500 | 110000 | 90 | 170M6339 | 170M6539 | | 170M6589 | | |
| | 400 | 19500 | 120000 | 160000 | 95 | 170M6340 | 170M6540 | | 170M6590 | | |
| | 450 | 31000 | 185000 | 245000 | 100 | 170M6341 | 170M6541 | | 170M6591 | | |
| | 500 | 39000 | 235000 | 310000 | 105 | 170M6342 | 170M6542 | | 170M6592 | | |
| | 550 | 55000 | 325000 | 435000 | 110 | 170M6343 | 170M6543 | | 170M6593 | | |
| | 630 | 83500 | 495000 | 665000 | 115 | 170M6344 | 170M6544 | | 170M6594 | 170M6644 | |
| | 700 | 115000 | 705000 | 940000 | 120 | 170M6345 | 170M6545 | 170M6494 | 170M6594 | 170M6645 | |
| | 800 | 205000 | 995000 | 1300000 | 125 | †170M6346 | 170M6546 | 170M6495 | †170M6595 | †170M6646 | |
| | 900 | 305000 | 1500000 | 1900000 | 130 | †170M6347 | †170M6547 | 170M6496 | †170M6596 | †170M6647 | |
| | 1000 | 450000 | 2150000 | 2750000 | 135 | †170M6348 | †170M6548 | 170M6497 | †170M6597 | †170M6648 | |
| 1100 | 575000 | 2800000 | 3600000 | 140 | †170M6349 | †170M6549 | 170M6498 | †170M6598 | †170M6649 | | |
| †1250 | 810000 | 3950000 | | 145 | | | 170M6499 | | 170M6650 | | |
| †1400 | 1250000 | 6000000 | | 150 | | | 170M6500 | | 170M6651 | | |

- Interrupting rating 100kA RMS Symmetrical. 1 kg = 2.2 lbs. 1 lb = 0.45 kg
- Watts loss provided at rated current.
- Rated voltage (IEC) †1100V †1000V ¥1250V (Consult Bussmann for U.L. Recognition/ CSA Component Acceptance status.)
- Individual Fuse Weight: Size 1* = 0.380 kg
Size 1 = 0.580 kg
Size 2 = 0.900 kg
Size 3 = 1.250 kg
- Microswitch indicator ordered separately.

Square Body – Flush End Contact

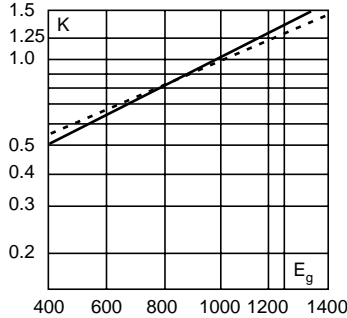
1250V/1300V (IEC/U.L.) 50-1400A



Electrical Characteristics

Total Clearing I²t

The total clearing I²t at rated voltage and at power factor of 15% are given in the electrical characteristics. For other voltages, the clearing I²t is found by multiplying by correction factor, K, given as a function of applied working voltage, E_g, (RMS).

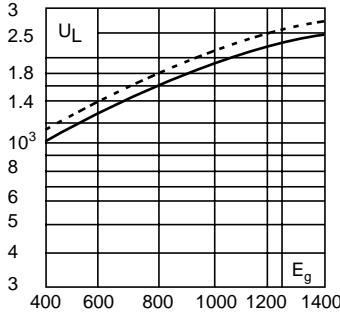


Dashed lines apply to the following amperages:

| Size | 1* | 1 | 2 | 3 |
|------|-----|---------|----------|----------|
| Amp | 400 | 500-630 | 630-1000 | 800-1400 |

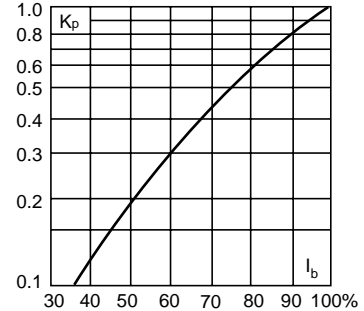
Arc Voltage

This curve gives the peak arc voltage, U_L, which may appear across the fuse during its operation as a function of the applied working voltage, E_g, (RMS) at a power factor of 15%.



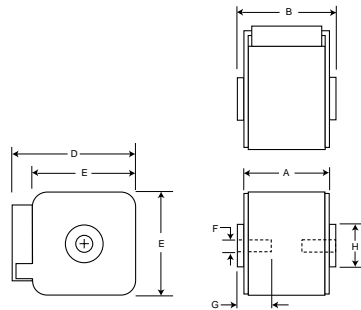
Power Losses

Watts loss at rated current is given in the electrical characteristics. The curve allows the calculation of the power losses at load currents lower than the rated current. The correction factor, K_p, is given as a function of the RMS load current, I_b, in % of the rated current.



Dimensions

Flush End Contact: Type -BKN/-, -GKN/-



| Size | Type | A | B | D | E | F | F [§] | G | H |
|------|--------------|----|----|----|----|-----|-------------------|----|-----|
| 1* | BKN + GKN/75 | 74 | 75 | 59 | 45 | M8 | 5/16" - 18 UNC-2B | 5 | Ø17 |
| 1* | BKN/80 | 80 | 81 | 59 | 45 | M8 | | 5 | Ø17 |
| 1 | BKN + GKN/75 | 74 | 75 | 69 | 53 | M8 | 5/16" - 18 UNC-2B | 8 | Ø20 |
| 1 | BKN/80 | 80 | 81 | 69 | 53 | M8 | | 8 | Ø20 |
| 2 | BKN + GKN/75 | 74 | 75 | 77 | 61 | M10 | 3/8" - 16 UNC-2B | 10 | Ø24 |
| 2 | BKN/80 | 80 | 81 | 77 | 61 | M10 | | 10 | Ø24 |
| 2 | BKN + GKN/90 | 80 | 91 | 77 | 61 | M10 | 3/8" - 16 UNC-2B | 10 | Ø24 |
| 3 | BKN + GKN/75 | 74 | 76 | 92 | 76 | M12 | 1/2" - 13 UNC-2B | 10 | Ø30 |
| 3 | BKN/80 | 81 | 83 | 92 | 76 | M12 | | 10 | Ø30 |
| 3 | BKN + GKN/90 | 81 | 91 | 92 | 76 | M12 | 1/2" - 13 UNC-2B | 10 | Ø30 |

[§]Valid for fuses type -GKN/-
Dimension in mm.
1mm = 0.0394" 1" = 25.4mm

The only controlled copy of this BIF document is the electronic read-only version located on the Bussmann Network Drive. All other copies of this document are by definition uncontrolled. This bulletin is intended to clearly present comprehensive product data and provide technical information that will help the end user with design applications. Bussmann reserves the right, without notice, to change design or construction of any products and to discontinue or limit distribution of any products. Bussmann also reserves the right to change or update, without notice, any technical information contained in this bulletin. Once a product has been selected, it should be tested by the user in all possible applications.