

Blade Fuseholder - In-Line Fuseholder for ATO® Style Blade Fuse

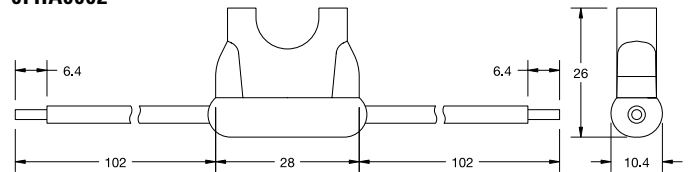
RoHS



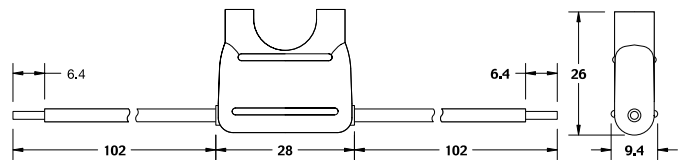
Used with ATO / FKS Fuse 1 to 20A or 25A and 30A. Supplied with two 4" / 102mm wire leads.

Für ATO / FKS-Sicherungen von 1A bis 20A oder 25A und 30A. Lieferung mit zwei 102mm langen Leitungen.

0FHA0002



0FHA0001



Part Number Artikel-Nr.	Description Beschreibung	Fuse Rating Sicherungs- Nennstrom
0FHA0002_	12AWG/3.3mm ² stranded orange wire	30 A
0FHA0001_	16AWG/1.3mm ² stranded black wire	20 A

Wire length, color and diameter can be customized upon request. Customization requires minimum order quantities depending on nature of modifications. Please contact your sales representative for details. Last figure of part number = packaging code, see Section "Packaging Index," pg. 157.

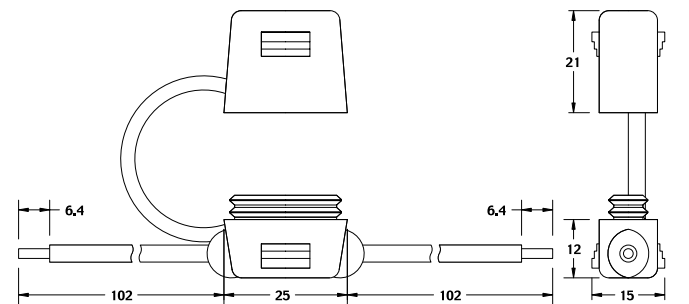
Blade Fuseholders - In-Line Splash-Waterproof Fuseholder for ATO® Style Blade Fuse

RoHS



Used with ATO / FKS Fuse 1 to 20A or 25A and 30A. Supplied with two 4" / 102mm wire leads. Includes protective cover for harsh environment.

Für ATO / FKS-Style-Sicherungen von 1A bis 20A oder 25A und 30A. Lieferung mit zwei 102mm langen Leitungen (orange, AWG12). Mit Schutzhaube für raue Umgebungen.



Part Number Artikel-Nr.	Description Beschreibung	Fuse Rating Sicherungs- Nennstrom
FHAC0001_	16AWG/1.3mm ² stranded black wire	20 A
FHAC0002_	12AWG/3.3mm ² stranded orange wire	30 A

Wire length, color and diameter can be customized upon request. Customization requires minimum order quantities depending on nature of modifications. Please contact your sales representative for details. Last figure of part number = packaging code, see Section "Packaging Index," pg. 157.