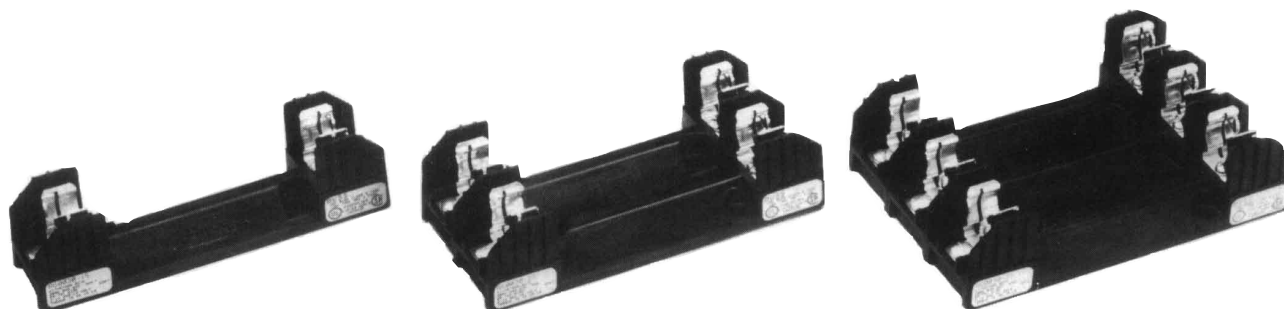


Class R Fuseblocks 600 Volts

R600 Series



Catalog Symbol: R600 Series

Ampere Rating: 1/10 to 600A

Voltage Rating: 600V

Agency Information:

UL Listed, UL 512, Guide IZLT, File E14853

CSA Certified, C22.2 No. 39, Class 6225-01, File 47235

Withstand Rating: 200,000A RMS Sym.

For use with Class R fuses (LPS-RK and FRS-R)

UL Flammability: 94VO

Materials: Thermoplastic

Class R Fuseblocks (600V) Catalog Data (for LRS-RK, FRS-R, DLS-R and KTS-R Fuses)

Amps	Poles	Basic Catalog Number	Terminal Type (Suffix No.)					Fig. No.	Dimensions (Inches)										Wire Range
			Screw w/		Box Lug w/		0.25" Quick-Connect		A	B	C	D	E	F	G	H	J Dia. x C' Bore	K	
			—	Pres. Plate	—	Clip Cu Only													
1/10 to 30	1	R60030-1	SR	PR	CR	COR	—	1	6.25	1.73	1.54	1.56	0.25	0.62	3.13	1.56	0.28 x 0.5	.26	COR #6-14 CU ONLY CR #2-14 CU, #2-12 AL PR, SR #10-18 CU ONLY
	2	R60030-2	SR	PR	CR	COR	—	2			2.90								
	3	R60030-3	SR	PR	CR	COR	—	3			4.25								
31 to 60	1	R60060-1	—	—	CR	COR	—	4	(See Figures)										COR #2-14 CU ONLY CR #2-14 CU, #2-8 AL
	2	R60060-2	—	—	CR	COR	—	5	(See Figures)										
	3	R60060-3	—	—	CR	COR	—	6	(See Figures)										
61 to 100	1	R60100-1	—	—	CR	COR	—	7	9.5	2.38	2.22	2.63	0.67	0.88	4.25	1.81	0.28 x 0.5	0.34	COR 1/0 -8 CU ONLY CR, CRO 1/0-8 CU/AL
	2	R60100-2	—	—	CR	COR	—	8			4.03								
	3	R60100-3	—	—	CR	COR	CRO†	9			5.84								
101 to 200	1	R60200-1	—	—	CR	—	CRO†	10	9.63	3.09	3.0	3.31	0.5	2.0	3.0	0.75	—	0.31	CR, CRO 250kcmil-6 CU/AL
	3	R60200-3	—	—	CR	—	—	11	(See Figures)										
	1	R60400-1	—	—	CR†	COR†	—	10	12.0	4.0	3.0	4.5	0.63	1.75	3.0	1.0	—	0.56	COR 500kcmil-4/0 CU ONLY CR 500kcmil-4 CU/AL
201 to 400	3	R60400-3	—	—	CR†	—	—	12	(See Figures)										
	1	R60600-1	—	—	CR	—	—	10	14.0	4.97	3.0	5.5	1.125	1.75	4.0	1.0	—	0.56	CR (2) 500kcmil-4/0 CU/AL
	3	R60600-3	—	—	CR†	—	—	13	(See Figures)										
1	R60600-1	—	—	CR	—	—	10	(See Figures)											

†No UL, No CSA Certification.

‡UL Recognized, CSA Certification

Dimensional Data: See pages 2 and 3.

CE CE logo denotes compliance with European Union Low Voltage Directive (50-1000Vac, 75-1500Vdc). Refer to Data Sheet: 8002 or contact Bussmann Application Engineering at 314-527-1270 for more information.

Class R Fuseblocks

600 Volts

R600 Series

Dimensional Data

600V, 1/10 to 30A

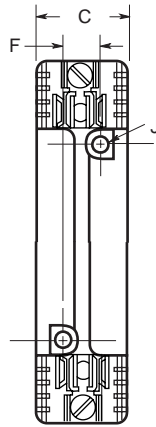
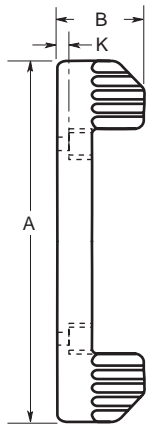


FIGURE 1.

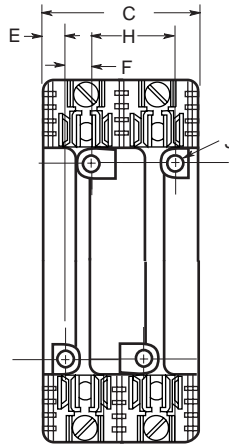


FIGURE 2.

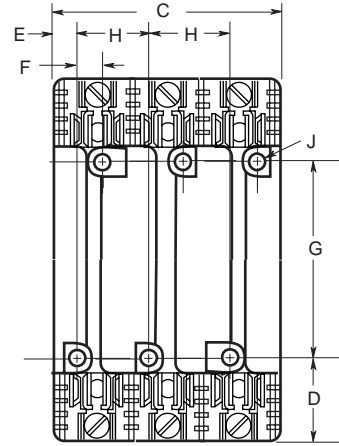


FIGURE 3.

600V, 31 to 60A

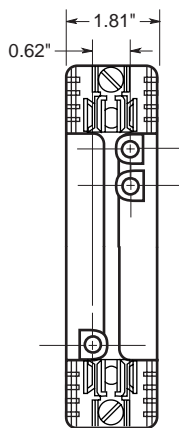
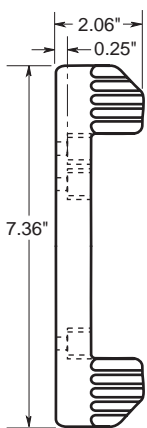


FIGURE 4.

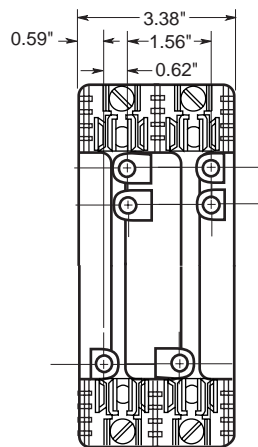


FIGURE 5.

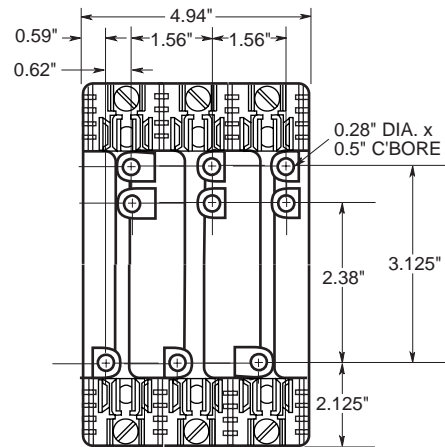


FIGURE 6.

600V, 61 to 100A

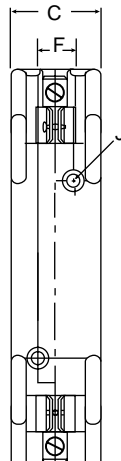
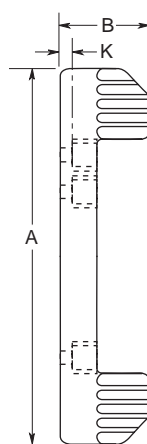


FIGURE 7.

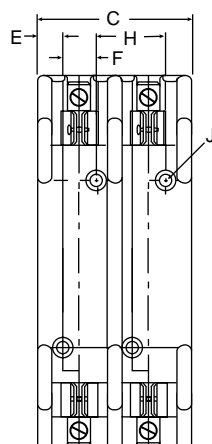


FIGURE 8.

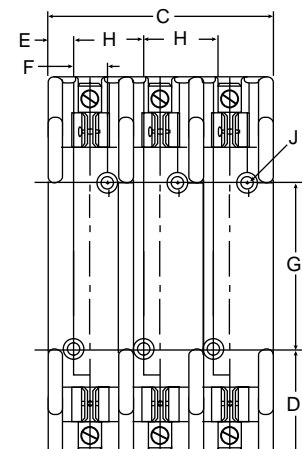


FIGURE 9.

Class R Fuseblocks

600 Volts

R600 Series

600V, 101 to 600A

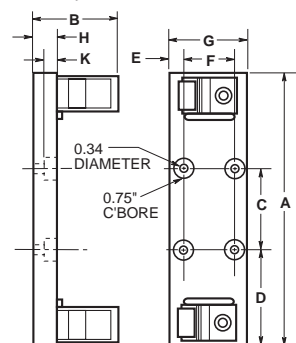


FIGURE 10.

600V, 101 to 200A

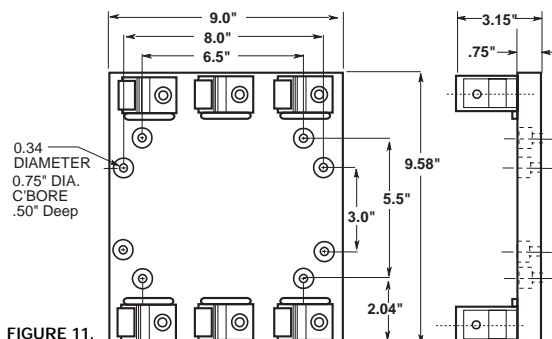


FIGURE 11.

600V, 201 to 400A

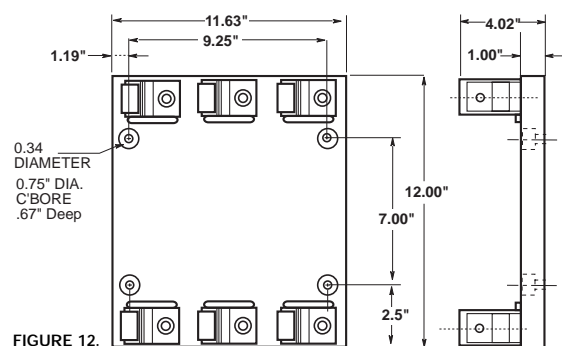


FIGURE 12.

600V, 401 to 600A

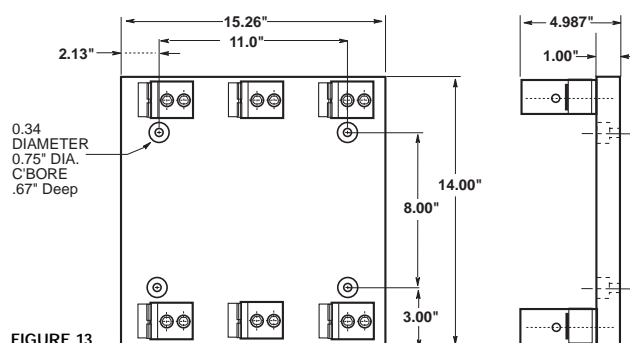


FIGURE 13.

The only controlled copy of this Data Sheet is the electronic read-only version located on the Bussmann Network Drive. All other copies of this document are by definition uncontrolled. This bulletin is intended to clearly present comprehensive product data and provide technical information that will help the end user with design applications. Bussmann reserves the right, without notice, to change design or construction of any products and to discontinue or limit distribution of any products. Bussmann also reserves the right to change or update, without notice, any technical information contained in this bulletin. Once a product has been selected, it should be tested by the user in all possible applications.