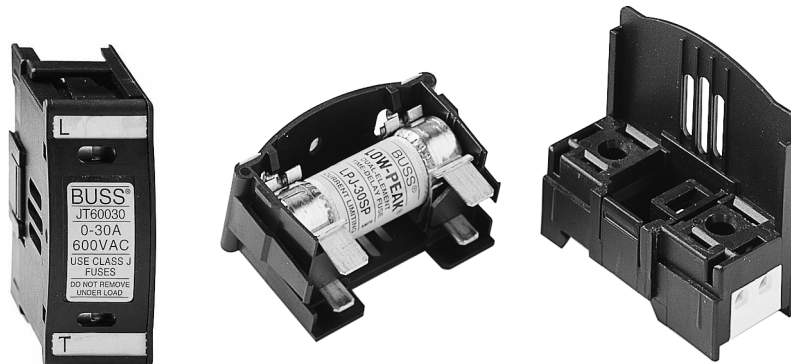


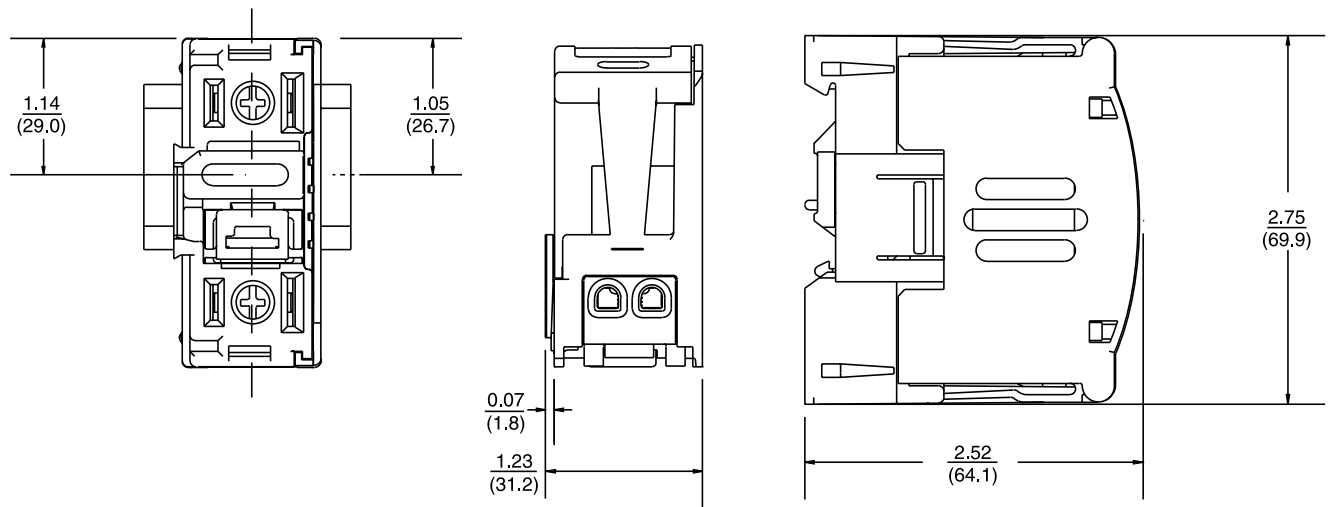
# Class J (Finger-Safe) Fuseholders



JT60030  
 JTN60030 (w/Indication)  
 JT60060  
 JTN60060 (w/Indication)

For use with Bussmann Class "J" fuses - (Bussmann LPJ, JKS)  
 Catalog Numbers: JT60030 and JT60060 - Non-Indicating;  
 JTN60030 and JTN60060 - Indicating (Neon)  
 Construction: Thermoplastic, UL Flammability; 94VO  
 Voltage Ratings: 600Vac or less,  
 600Vdc or less\*  
 Amperage Rating: JT(N) 60030 - 30A,  
 JT(N)60060 - 60A  
 Withstand Rating: 200,000A RMS Sym.  
 (Self Certified at 300,000A using Bussmann  
 LPJ\_SP fuses)  
 Agency Information:  
 Listed to UL 512: 30 - 60A (Guide IZLT, File 14853)  
 CSA Certified: 30 - 60A (Class 6225-01, File 47235)

CE Mark: Molded into product  
 Indication: Min. voltage: 90Vac, 115 dc; Neon Lamp  
 "ON" when fuse opens, voltage source and current path  
 are present.  
 Touch Safe: IP20 per IEC 529  
 Terminations: Dual Port (30A) Torque 20 lb. in.,  
 Single Port (60A) Torque 45 lb. in., Terminal Construction,  
 Tin plated Copper Alloy  
 Wire Size: JT(N)60030 - Rated for #18-#8; 75°C, CU only,  
 JT(N)60060 - Rated for #14-#4; 75°C, CU only  
 (Note: For JT(N)60030 use both stranded or solid, in a variety of  
 dual wire combinations of same wire size and type.)  
 Packaging: 12 in a carton



Dim. =  $\frac{\text{in.}}{\text{(mm.)}}$

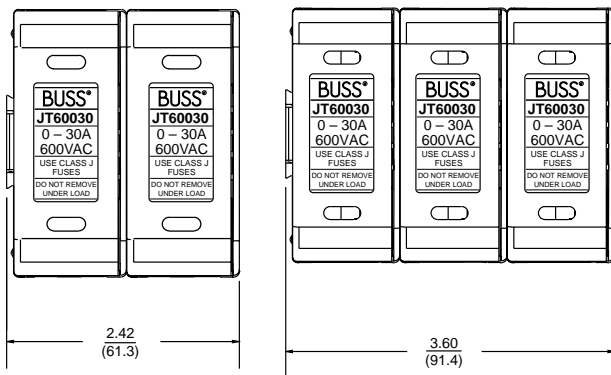
JT60030  
 JTN60030

# Class J (Finger-Safe) Fuseholders

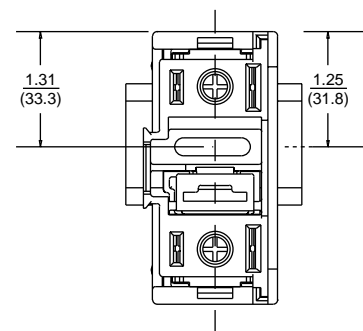
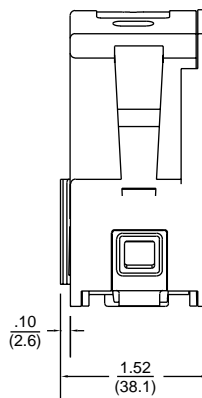
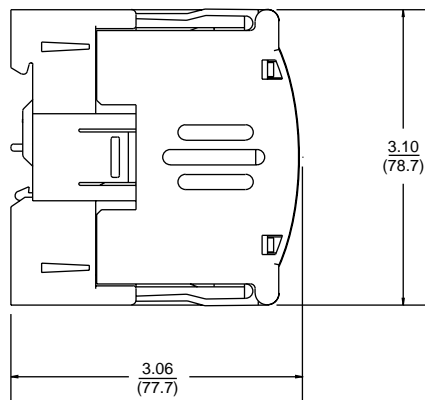
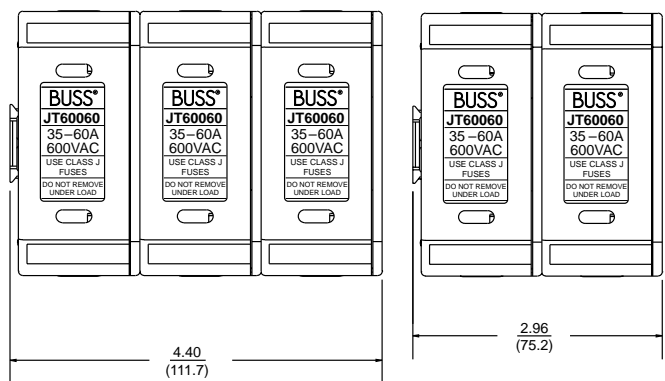


JT(N)600 Series fuseblocks can be ganged together to provide two and three pole block configurations.

JT60030 - JTN60030



JT60060 - JTN60060



JT60060  
JTN60060

Dim. =  $\frac{\text{in.}}{(\text{mm.})}$

The only controlled copy of this Data Sheet is the electronic read-only version located on the Bussmann Network Drive. All other copies of this Data Sheet are by definition uncontrolled. This bulletin is intended to clearly present comprehensive product data and provide technical information that will help the end user with design applications. Bussmann reserves the right, without notice, to change design or construction of any products and to discontinue or limit distribution of any products. Bussmann also reserves the right to change or update, without notice, any technical information contained in this bulletin. Once a product has been selected, it should be tested by the user in all possible applications.