

FKS Resistor ATO® Style

RoHS



Specifications

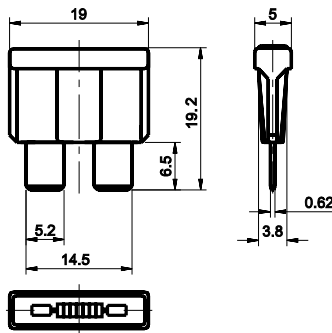
Insulating body: Out of thermoplastic (UL 94-V0, heat-resistant)
Connections: Blade contacts
 Copper alloy, gal. Sn
 Edge-protected
Resistance: Metal coating resistance 1%, 0.4 W

Packaging:

Series Serien	Pack Size
163.7010.xxx2	1000

ATO-Style FKS-Coding Plug with 0.4 W metal coating resistor 1%. Available resistance 110 Ohms to 9,100 Ohms.

ATO-Style Kodierstecker mit metallisiertem Widerstand (0,4 W, 1%). Erhältlich mit Widerstandswerten von 110 Ohm bis 9.100 Ohm.



Part Number Artikel-Nr.	Resistance Widerstand	Housing Color Kennfarbe	Identification Letter Kennbuchstabe
163.7010.0102	110 Ω	Black	A
163.7010.0152	240 Ω	Grey	B
163.7010.0202	430 Ω	Purple	C
163.7010.0252	680 Ω	Pink	D
163.7010.0302	1,000 Ω	Brown	E
163.7010.0352	1,500 Ω	Red	F
163.7010.0402	2,400 Ω	Yellow	G
163.7010.0452	3,900 Ω	Orange	H
163.7010.0502	9,100 Ω	Green	I

Corresponding fuse holders see Section "Fuse Holders."